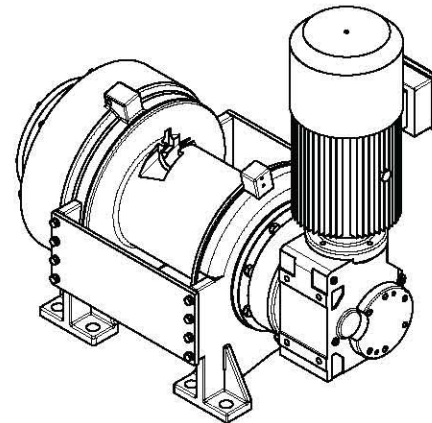
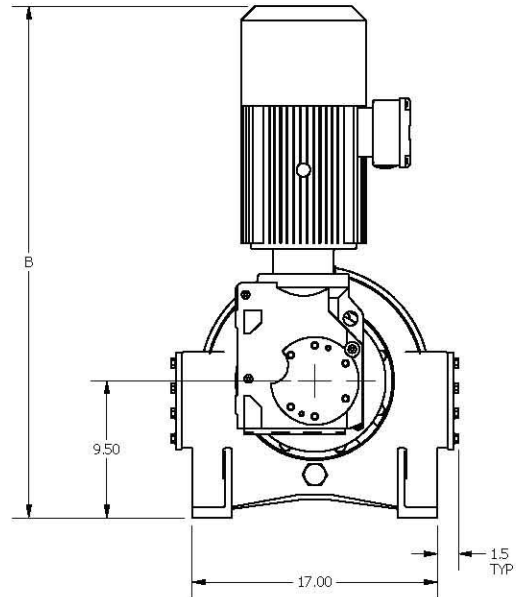
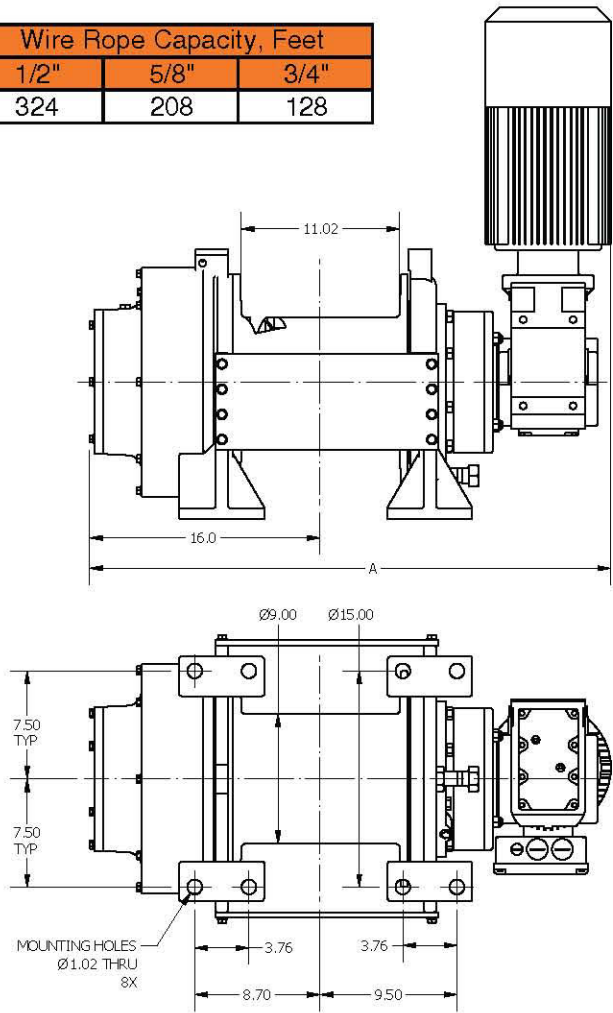


DIMENSIONAL/PERFORMANCE DATA

Wire Rope Capacity, Feet		
1/2"	5/8"	3/4"
324	208	128



Model	Motor HP	Typical Weight	Line Pull • Line Speed (Calculated with 3/4" wire rope)			Dimensions	
			First Layer	Mean Drum	Full Drum	A ¹	B ¹
WR30000	3.0	730 lbs	30,000 lbs • 2.9 fpm	26,508 lbs • 3.3 fpm	23,720 lbs • 3.7 fpm	35.5	32.2
WR30000	5.0	730 lbs	30,000 lbs • 4.9 fpm	26,032 lbs • 5.6 fpm	23,294 lbs • 6.3 fpm	35.5	32.2
WR40000	5.0	730 lbs	40,000 lbs • 3.6 fpm	35,556 lbs • 4.1 fpm	31,816 lbs • 4.6 fpm	35.5	32.2
WR40000	7.5	800 lbs	40,000 lbs • 5.3 fpm	36,350 lbs • 6.0 fpm	32,526 lbs • 6.7 fpm	35.2	35.5

Performance based on 230/460 3Ø 60 Hz input power; other voltages available

Gearmotors can be rotated in 90° increments

¹ Typical dimensions shown