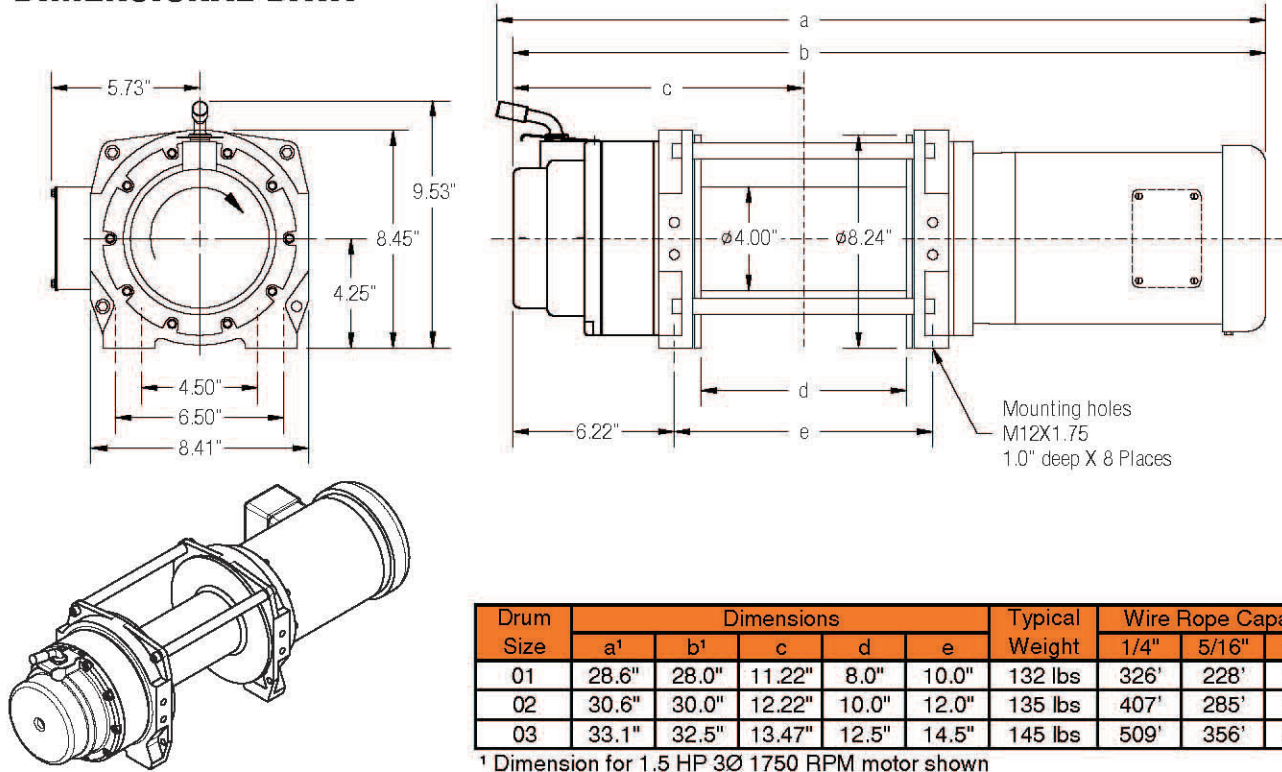


DIMENSIONAL DATA



PERFORMANCE

Model	Motor		Power Input		Gear Ratio	Calculated Performance					
						First Layer		Mean Drum		Full Drum	
						LBS	FPM	LBS	FPM	LBS	FPM
WG500	1.0	1700	115/230	1Ø	36:1	500	55.7	375	72.2	305	88.7
			230/460	3Ø							
WG750	1.5	1700	230	1Ø	36:1	750	55.7	562	72.2	457	88.7
			230/460	3Ø							
WG1000	2.0	1700	230/460	3Ø	36:1	1,000	55.7	749	72.2	610	88.7
WG1600	1.0	3300	115/230	1Ø	261:1	1,600	15.1	1,242	19.6	1,011	24.1
			230/460	3Ø							
WG2400	1.5	3300	115/230	1Ø	261:1	2,400	15.1	1,863	19.6	1,516	24.1
			230/460	3Ø							
WG3300	2.0	3300	230	1Ø	261:1	3,300	15.1	2,484	19.6	2,021	24.1
			230/460	3Ø							
WG5000	3.0	3300	230/460	3Ø	261:1	5,000	15.1	3,726	19.6	3,032	24.1
WG3700	1.0	1725	115/230	1Ø	261:1	3,700	7.7	2,815	10.0	2,291	12.2
			230/460	3Ø							
WG5600	1.5	1725	115/230	1Ø	261:1	5,600	7.7	4,223	10.0	3,436	12.2
			230/460	3Ø							
WG7500	2.0	1725	230	1Ø	261:1	7,500	7.7	5,630	10.0	4,581	12.2
			230/460	3Ø							
WG11000	3.0	1725	230/460	3Ø	261:1	11,000	7.7	8,445	10.0	6,872	12.2

Performance based on intermittent duty cycles.