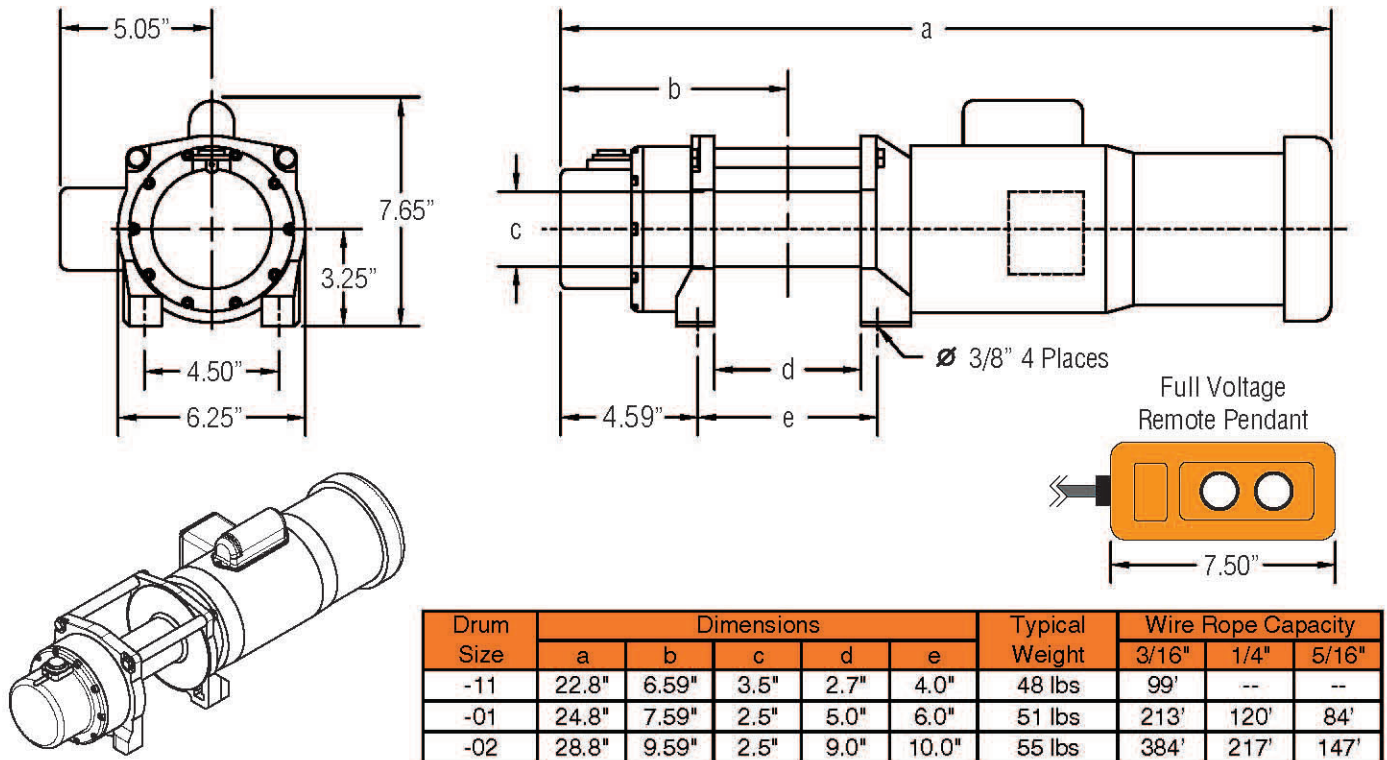


DIMENSIONAL DATA



Drum Size	Dimensions					Typical Weight	Wire Rope Capacity		
	a	b	c	d	e		3/16"	1/4"	5/16"
-11	22.8"	6.59"	3.5"	2.7"	4.0"	48 lbs	99'	--	--
-01	24.8"	7.59"	2.5"	5.0"	6.0"	51 lbs	213'	120'	84'
-02	28.8"	9.59"	2.5"	9.0"	10.0"	55 lbs	384'	217'	147'

PERFORMANCE

Model	Motor		Power Input		Gear Ratio	Calculated Performance					
	HP	RPM	Voltage	Ø		First Layer		Mean Drum		Full Drum	
						LBS	FPM	LBS	FPM	LBS	FPM
HD670 ¹	0.5	3450	115/230	1Ø	113:1	670	29.5	567	34.7	493	39.9
HD900 ¹	0.5	3450	115/230	1Ø	156:1	900	21.3	782	25.1	680	28.9
HD1300 ¹	0.5	3450	115/230	1Ø	216:1	1300	15.4	1083	18.1	942	20.9
HD1000 ²	0.5	3450	115/230	1Ø	113:1	1000	22.5	766	31.1	599	39.8
HD1450 ²	0.5	3450	115/230	1Ø	156:1	1450	16.3	1057	22.6	827	28.8
HD2000 ²	0.5	3450	115/230	1Ø	216:1	2000	11.8	1464	16.3	1146	20.8

¹ -11 drum

² -01 and -02 drums

Performance based on intermittent duty cycles.