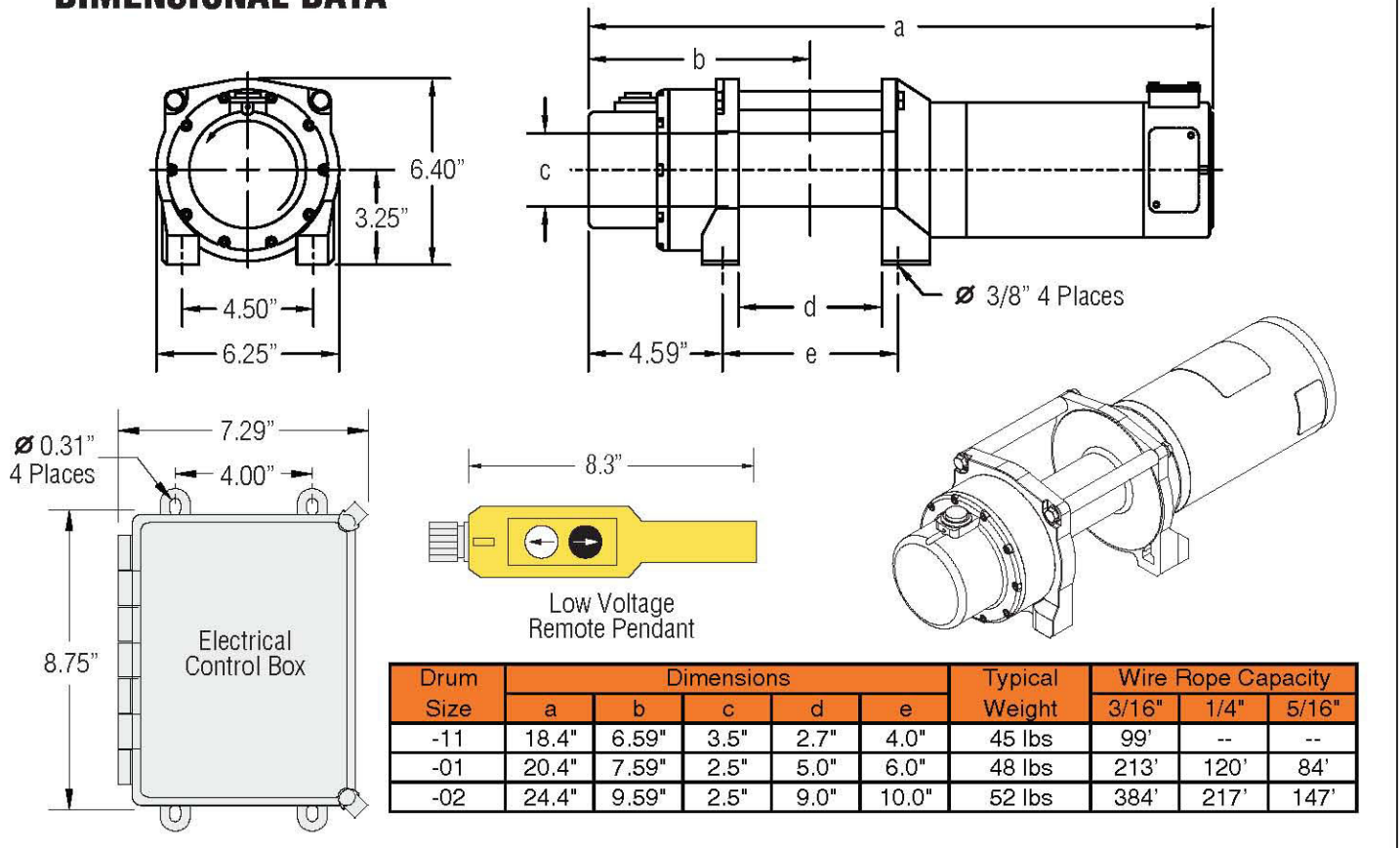


AC ELECTRIC (DC MOTOR) HOISTS

CAPACITIES TO 2000 LBS.

Frame
1

DIMENSIONAL DATA



PERFORMANCE

Model	Motor		Power Input		Gear Ratio	Calculated Performance					
	HP	RPM	Voltage	Ø		First Layer		Mean Drum		Full Drum	
						LBS	FPM	LBS	FPM	LBS	FPM
HC750 ¹	0.75	2500	115/230	1Ø	113:1	750	21.4	649	25.1	564	28.9
HC1100 ¹	0.75	2500	115/230	1Ø	156:1	1100	15.5	896	18.2	779	20.9
HC1500 ¹	0.75	2500	115/230	1Ø	216:1	1500	11.2	1240	13.1	1079	15.1
H1000 ²	0.75	2500	115/230	1Ø	113:1	1000	16.3	751	22.6	588	28.8
H1500 ²	0.75	2500	115/230	1Ø	156:1	1500	11.8	1037	16.3	812	20.9
H2000 ²	0.75	2500	115/230	1Ø	216:1	2000	8.5	1436	11.8	1124	15.1

¹ -11 drum

² -01 and -02 drums

Calculated performance based on intermittent duty cycles.