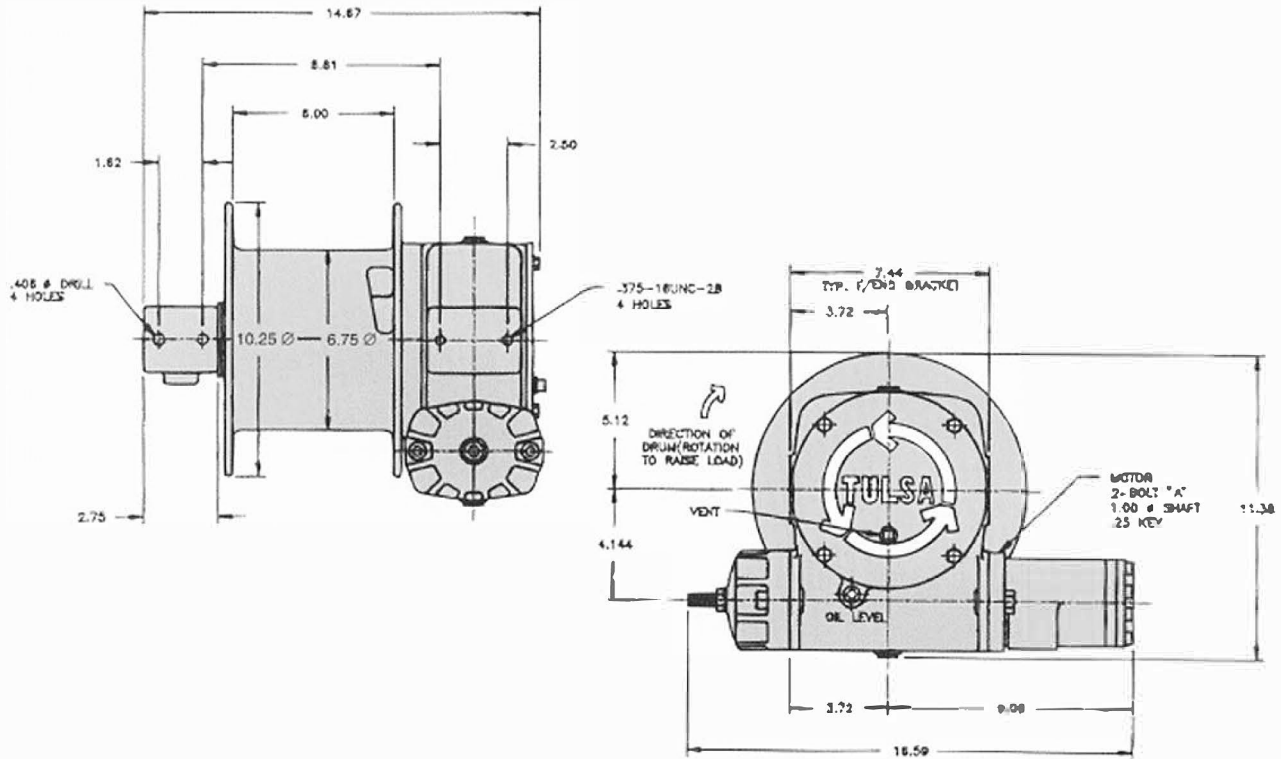




# Tulsa Winch

## MODEL H 938 CRANE WINCH



- Specially sized for small straight or knuckle-boom cranes.
- First layer linepull to 4,000 pounds.
- First layer linespeed to 54 FPM.
- Cable capacity: 89 feet of 3/8-inch wire rope.
- Direct mount 2-bolt SAE "A" motor mount.
- Drum diameter for 3/8-inch cable, per ANSI specifications.

### PERFORMANCE DATA

RATIO	38:1
EFFICIENCY	
STATIC	36%
DYNAMIC	53%
MAX. LINEPULL (FIRST LAYER)	4,000 LBS.
MAX. LINESPEED (FIRST LAYER)	54 FPM



Authorized Distributor:  
Pacific Marine & Industrial  
[www.pacificmarine.net](http://www.pacificmarine.net)  
[info@pacificmarine.net](mailto:info@pacificmarine.net)

**TWG**  
a DOVER company

TWG  
PO Box 1130  
Jenks OK 74037-1130 USA  
Phone: 918-298-8300  
[www.dovertwg.com](http://www.dovertwg.com)