



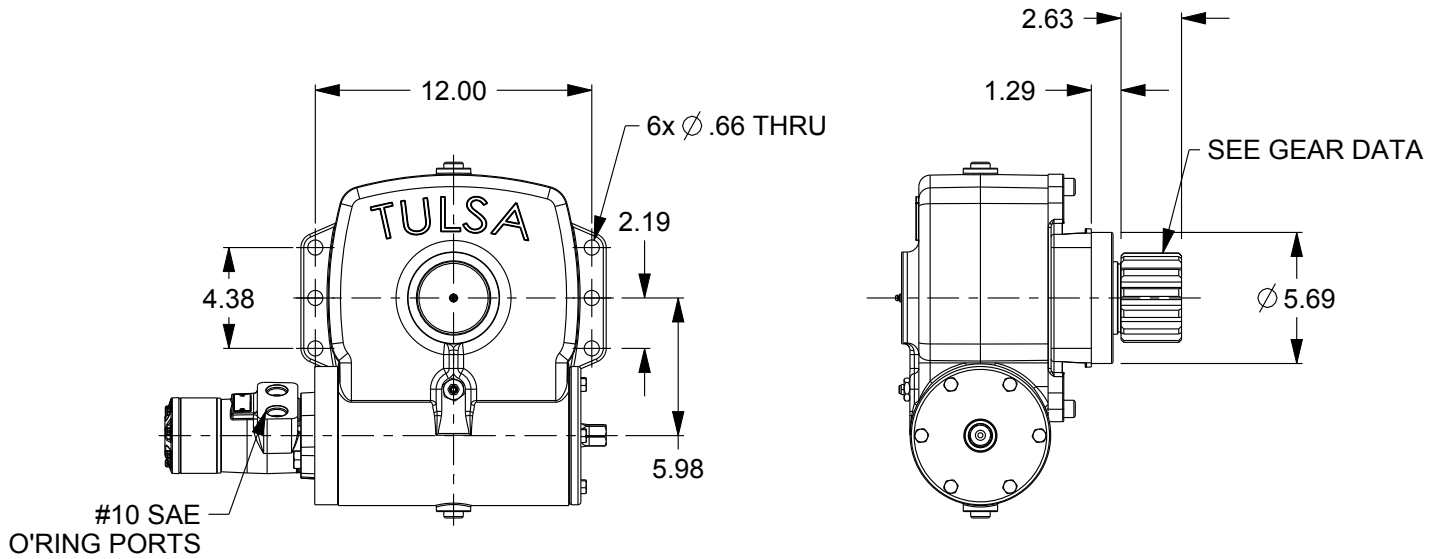
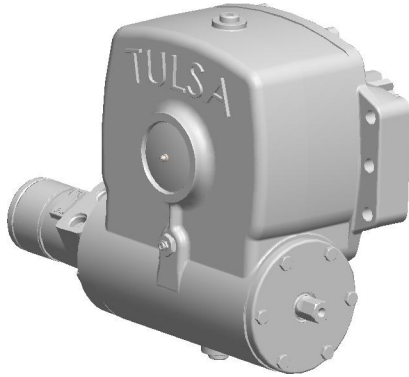
Authorized Distributor:
Pacific Marine & Industrial
www.pacificmarine.net
info@pacificmarine.net

Worm Gear Drive

Part Number: 83084

Model: HFG2030D

Est Weight: 176 lb 1/7/2020



Performance Data		Gear Data	
Ratio	30:1	Number of Teeth	13
Output Torque - (in lb)	48,000	Diametral Pitch	4/5
Output RPM	5.8	Pitch Diameter	3.250
Hydraulic Pressure - (psi)	1800	Pressure Angle	20°
Flow Maximum - (gpm)	15		

Contact your dp sales representative for additional options and features not shown.

Because of continued product improvement, we reserve the right to make changes without notice.

⚠ WARNING	⚠ CAUTION
Winches are not intended to be used for the lifting or moving of persons.	The last 5 wraps cable must be left on the drum to assist the cable clamp in holding the load.

Contact Us Today

TWG Headquarters, 11135 S James Ave
Jenks, OK 74037 USA
(918) 298-8300 | salesinfo@dovertwg.com

Contact Us Today

TWG Canada, 19350 22nd Ave
Surrey, BC V3Z 3S6 CANADA
(604) 547-2100 | salesinfo@dovertwg.com

