



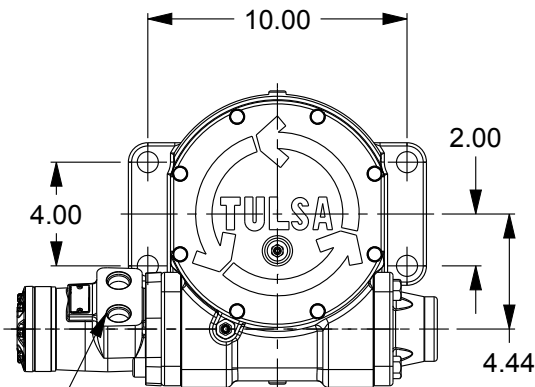
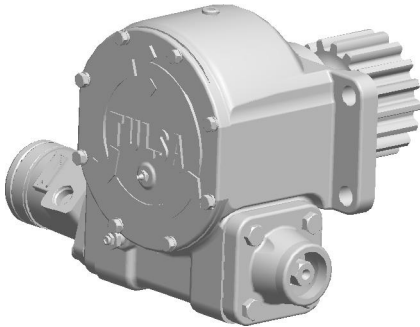
Authorized Distributor:
 Pacific Marine & Industrial
 www.pacificmarine.net
 info@pacificmarine.net

Worm Gear Drive

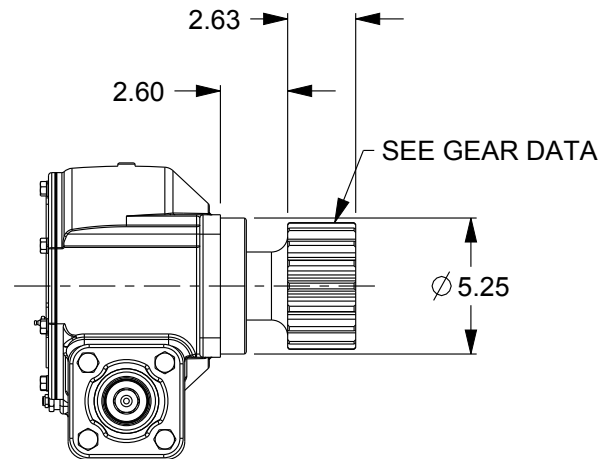
Part Number: 83083

Model: HFG1642D

Est Weight: 127 lb 1/7/2020



#10 SAE
O'RING PORTS



Performance Data		Gear Data	
Ratio	42:1	Number of Teeth	17
Output Torque - (in lb)	30,000	Diametral Pitch	4/5
Output RPM	10.2	Pitch Diameter	4.250
Hydraulic Pressure - (psi)	2200	Pressure Angle	20°
Flow Maximum - (gpm)	15		

Contact your dp sales representative for additional options and features not shown.

Because of continued product improvement, we reserve the right to make changes without notice.

⚠ WARNING	⚠ CAUTION
Winches are not intended to be used for the lifting or moving of persons.	The last 5 wraps cable must be left on the drum to assist the cable clamp in holding the load.

Contact Us Today

TWG Headquarters, 11135 S James Ave
 Jenks, OK 74037 USA
 (918) 298-8300 | salesinfo@dovertwg.com

Contact Us Today

TWG Canada, 19350 22nd Ave
 Surrey, BC V3Z 3S6 CANADA
 (604) 547-2100 | salesinfo@dovertwg.com

