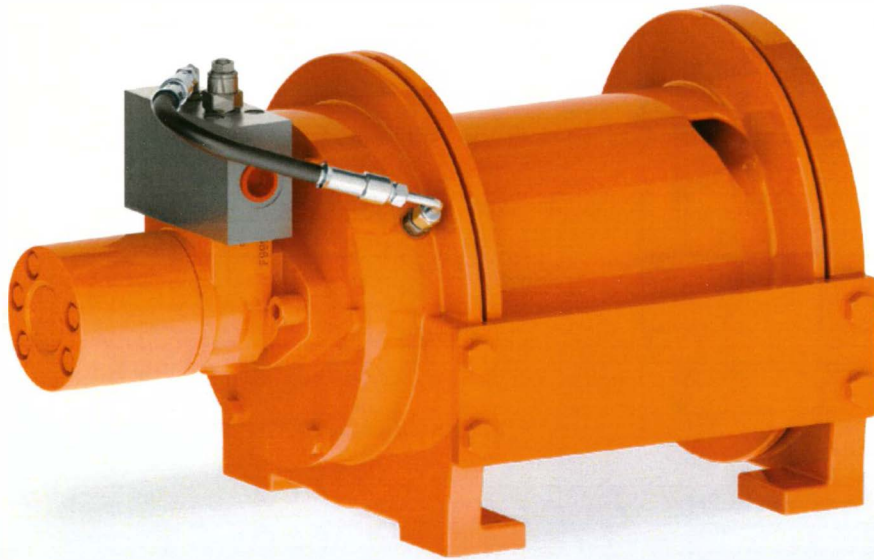


Model 506H Industrial Hoist

5,000 lb Line Pull



Authorized Distributor:
Pacific Marine & Industrial
www.pacificmarine.net
info@pacificmarine.net



Advanced Features and Superior Benefits

Reengineered plug-and-play modular design

Lower cost while maintaining high performance

Integral, spring-applied, hydraulically released static brake

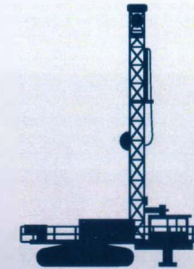
Oil cooled for long life and easy serviceability

Industry proven motor-mounted counterbalance valve

Superior control, smooth operation and dynamic braking

Single-stage planetary gearing

Compact, efficient and low maintenance



Infrastructure | Energy | Recovery

www.dovertwg.com

TWG is a global leader in standard and engineered winch, gearbox and electronic monitoring systems.

USA – DP Winch, Gear Products, Greer and Tulsa Winch: salesinfo@dovertwg.com
Canada – LANTEC, Pullmaster:
Latin America:
Europe:

TWG Headquarters
11135 S. James Ave
Jenks OK 74037-1731 USA
Phone: +1-918-298-8300

DP Winch | Gear Products | Greer Company | LANTEC | Pullmaster | Tulsa Winch

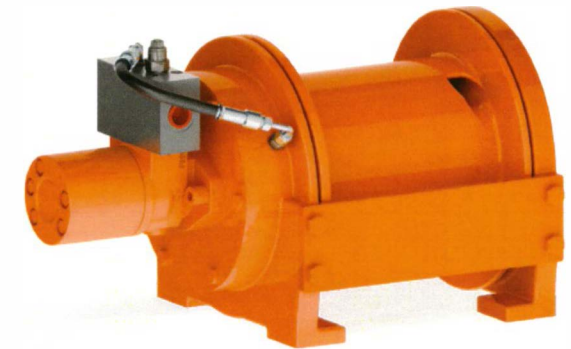
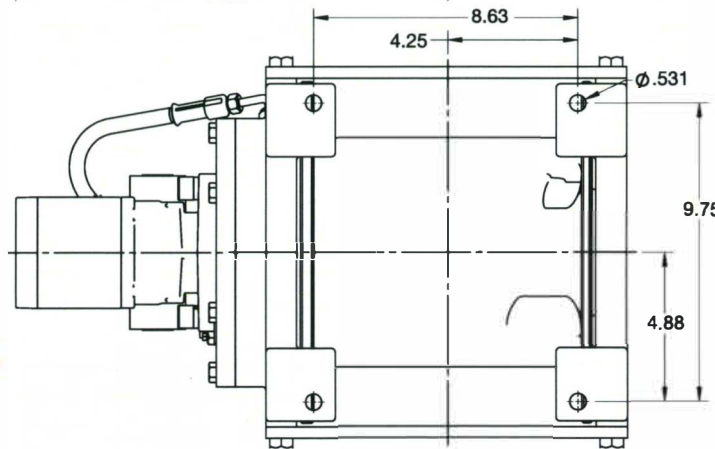
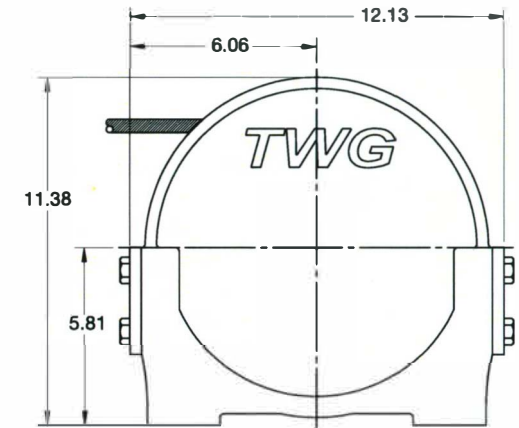
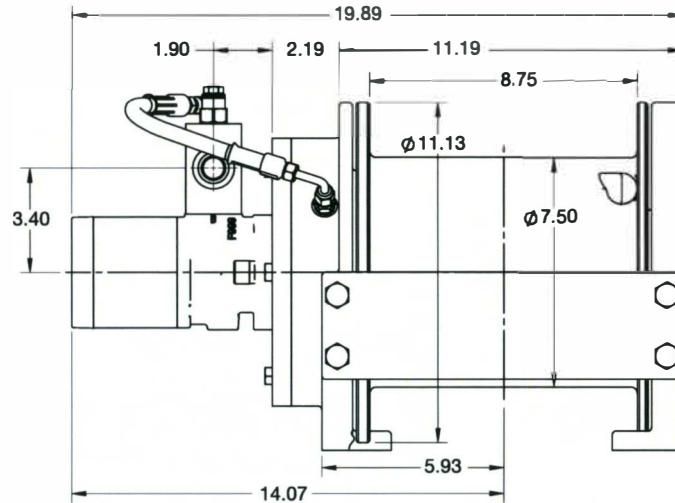
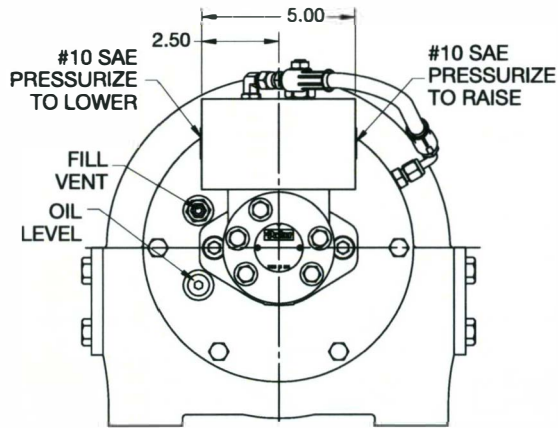


Model 506H Industrial Hoist

5,000 lb Line Pull



Authorized Distributor:
Pacific Marine & Industrial
www.pacificmarine.net
info@pacificmarine.net



CAUTION:

The last 5 wraps of cable must be left on the drum to assist the cable clamp in holding the load.

WARNING:

Winches and capstans are not intended to be used for lifting or moving of persons.

506H Performance Specifications			
Gear Ratio	Winch Performance at		Total Drum Capacity (ft.)
	10 GPM 12.0 CID	1,980 psi	
Layer	Stall Line Pull (lbs)	Winch Speed (fpm)	$\phi .438$ Cable
1	5,000	60	37
2	4,504	67	79
3	4,097	73	125

Contact a TWG sales representative about other available configurations.

As a leader in product innovation, TWG is committed to the ongoing improvement of its equipment. TWG reserves the right to make changes to our products without notice.

Tulsa Winch is part of TWG, a global leader in standard and engineered winch, gearbox and electronic monitoring systems.

PO Box 1130
Jenks OK 74037-1130 USA
Phone: +1-918-298-8300
www.dovertwg.com

