

LUXO

Split (M) LED

LED task light



Description

Split (M) is a powerful task light for large, demanding work places at sea. It has twice the light output and provides higher lux levels than of our traditional task lights. Split is particularly suitable for large work surfaces where plenty of light is needed.

Distinctive design

Split has a distinctive design and great functionality. The lamp head is made of a slim sheet of aluminium which has been cut and shaped so that the LED light sources are directed at an angle towards the desk top. This contributes to Split's excellent asymmetric light distribution.

Colours: Black, white or silver grey glossy paint.

2 x 6 Watt LED

Split is equipped with two custom-made 6 Watt LED modules, which provide a broad, directional light across the work surface. The two LED modules are positioned in a 30° angle. This provides for a particularly wide light distribution. With two LED modules the light covers a large area, while the lamp head stays parallel with the surface – providing asymmetric and ergonomically correct workstation lighting.

The LED modules have a life expectancy of 50.000 hours. This means 25 years or more of normal office use. Split is dimmable, and equipped with automatic shut-off in order to save energy. A built-in timer automatically turns the light off after 4 or 9 hours.

Available with motion sensor

A motion sensor version is also available. The sensor turns the light on when motion is detected. The sensor also turns the light off after 15 minutes of inactivity.

Technical specifications

Light Source

2 x 6W LED modules Colour rendering: CRI 90 Correlated colour temperature (CCT): 3000K
Lifetime: min. 50.000 hours

Body material and colour

Steel arm and aluminium shade. Colours: white, black or aluminium grey.



Authorized Distributor:
Pacific Marine & Industrial
www.pacificmarine.net
info@pacificmarine.net

Mounting

Standard with table clamp. Table base and integrated table mounts (TT table mount and TE bushing) are available on request.

Optic

Asymmetric light output. White, polycarbonate reflectors.

Electrical specification

Plug-in 20V power supply. Delivered with cable and plug

Arm technology and movement

Parallel, three-pivot arm. Side-to-side and up and downhead movement. Arm lengths:80 cm.

Sensors

Split can also be delivered with an integrated PIR-sensor.The sensor turns the light on when motion is detected. The sensor also turns the light off after 15 minutes of inactivity.

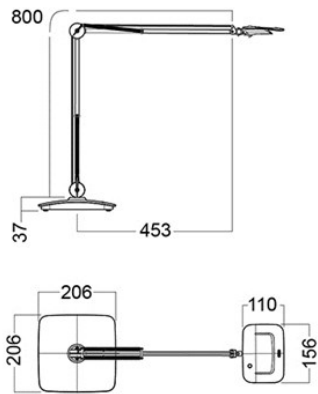
Timer

A shut-off function is integrated. The light will automatically shut off after 4 or 9 hours.

Switch

On/off and seamless dimming.

Illustrations



Images



Authorized Distributor:
Pacific Marine & Industrial
www.pacificmarine.net
info@pacificmarine.net



Authorized Distributor:
Pacific Marine & Industrial
www.pacificmarine.net
info@pacificmarine.net