

TL60 LED U

Innovative watertight LED luminaire with UL approval



Description

The innovative LED outdoor lighting fixtures are applicable for a wide range of different areas, e.g. workshops, engine rooms, stores, passage ways etc.

They are designed to meet maritime requirements and are UL marine approved.

The combination of material and design assures an excellent heat management and therefore a long lifetime.

Technical specifications

Connection

Connection box with cable entry 2xM25x1.5 polyamide D7-17mm and blind plugs 2xM25x1.5 polyamide Terminal 3-pole/6 mm²

Finish

Grey anodized

Ambient temperature (Ta)

Operation from -30°C up to +55°C in standard version

Approvals

Germanischer Lloyd approved UL approved

Design

According to rules of maritime classification societies.

Application

For areas like car decks, open decks, engine rooms and other demanding applications such as extreme weather conditions at sea.

Mounting

Mounted to the ceiling or cable trays by: screws, different screwed mounting brackets, shock mounts or triangles are available. Mounting distance adjustable

Electrical specification

Flexible wiring heat resistant up to 105°C. Dimming and through wiring options available.



Authorized Distributor:
Pacific Marine & Industrial
www.pacificmarine.net
info@pacificmarine.net

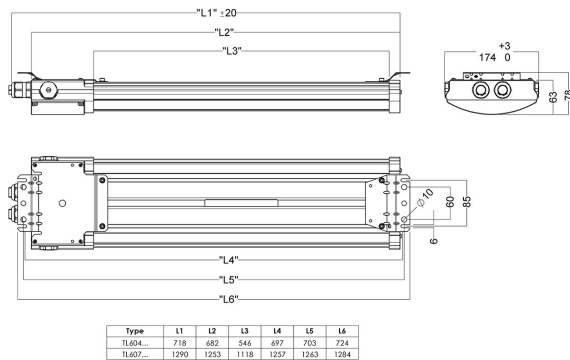
Lightsource/Optic

Designed in two lengths with 2200 or 4500 lumen output from the fixture, LEDs are covered by an opal polycarbonate diffuser.

Housing

Seawater resistant, galvanized aluminium housing

Illustrations



Images

