



MAX T8

Ex-e hazardous area luminaire for
fluorescent tubes



Description

MAX T8 is an Ex e high quality longlife luminaire. The luminaire has a hinged geartray for easy maintenance.

The luminaire housing is made of Galfan (Z) or acid resistant steel (S), with white stove enamelled epoxy/polyester powder finish. Housing of Galfan (Z) is not suitable for marine outdoor installation. The cover is made of impact-proof polycarbonate. The emergency model is supplied with an external battery box for lower temperature of the battery to increase the lifetime in warm areas. Emergency light versions (18W and 36W) are available with 1.5 or 3-hours battery duration (T4).

Technical specifications

Application

For mounting indoor and outdoor in Zone 1 areas

Design

According to IEC, Ex and maritime requirements

Approvals

ATEX, IECEx and CSA approved

Housing

MAX S with housing in deep drawn stainless steel (AISI 316) for outdoor marine environment. IP66/67 Variants with housing in Aluzinc (MAX Z) for non corrosive environments.

Finish

Powder coated white RAL9016 in gloss 90 for easy maintenance.

Optic

Diffuser in moulded impact-proof UV-resistant polycarbonate. Gasket in silicone moulded into the diffuser. Reflector on request.

Electrical specification

With Ex-certified electronic ballast (HF). All electric components are mounted on a hinged geartray for easy maintenance. Ex micro-switches disconnecting the mains are operated by diffuser and make lamp replacement possible without disconnecting the circuit. Emergency versions available. AC 110 - 250V± 10%, 50/60Hz.

Light Source

T8 version: Two tubes T26 (T8), 18 or 36W. Variants with light sources mounted available on request. Ex-approved lamp holders. LED version: LED tubes designed for MAX fixtures. Tubes are with opal diffuser for evenness light output looking similar to fluorescent tubes. Tubes are moulded for Zone 1 operation. Can be delivered in different colour temperatures. Normally type cool white

Mounting

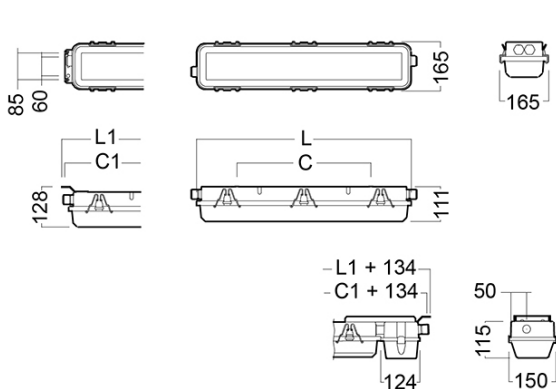
Fixed end brackets as standard. Also available with M8 hood nuts for fixing on request.

Connection

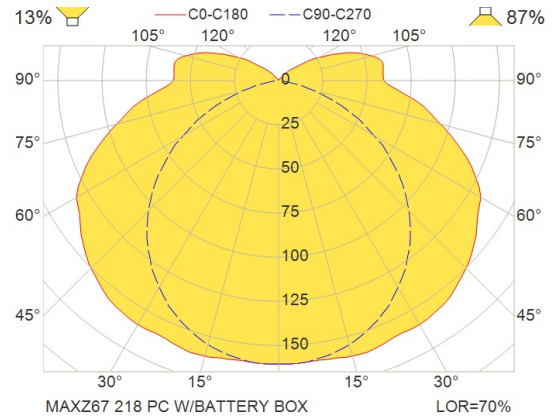
One Ex cable gland and one blind plug each end (M20 or M25). Other gland configurations also available. One 6-way Ex screw terminal block 6 mm² with special earth clamp for armoured cable each end. Through wiring (TW) 6 x 2.5 mm² as standard.



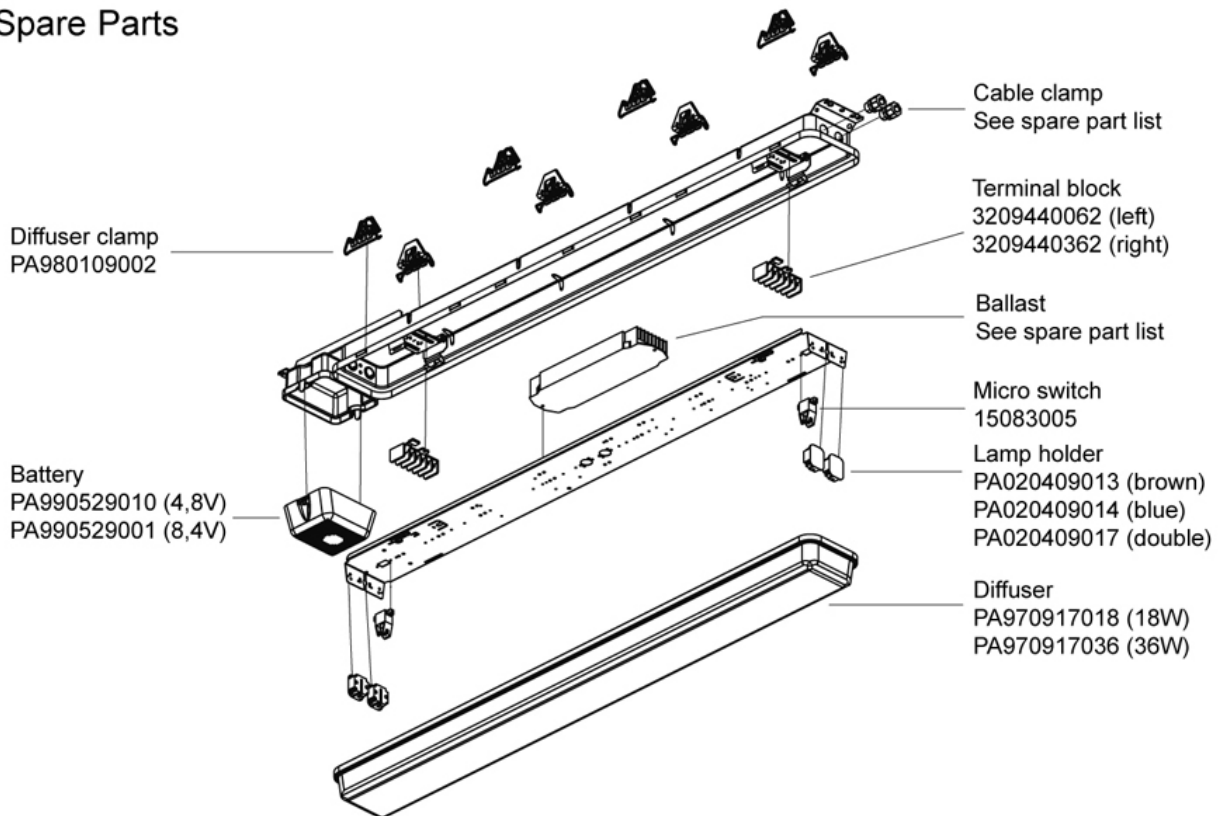
Illustrations



Wattage	L1	C1	L	C for Hood nut
18W	724	704	681	on request
36W	1334	1314	1291	on request
58W	1634	1614	1591	on request



Spare Parts



Images

