

MAX LED

Zone 1 LED luminaire



Description

MAX LED is an Ex e high quality longlife LED luminaire, specially designed for long lifetime with less maintenance. LEDs are driven by a low inrush driver. The luminaire has a hinged geartray for easy access. The luminaire housing is made of Galfan (Z) or stainless steel (S), with white stove enamelled epoxy/polyester powder finish. Housing of Galfan (Z) is not suitable for marine outdoor installation. The diffuser is made of impact-proof polycarbonate. The emergency model is supplied with an external battery box for lower temperature of the battery to increase the lifetime in warm areas. Emergency light versions are available with 1.5 or 3-hours battery duration.

We have also introduced a new LED replacement kit for MAX. Longer product lifetime, a greener profile and low maintenance are some of the benefits.

To upgrade the MAX T8 version to LED with new certificate, you have to replace the gear tray, the diffuser, the clips and if it is an emergency version the battery with connection. All necessary parts are included in the replacement kit.

Technical specifications

Application

For mounting indoor or outdoor Zone 1 and Zone 2 areas

Design

Designed according to IEC, Ex and maritime requirements

Approvals

ATEX approved

Housing

Housing in Galfan (Z) for indoor and acid proof stainless steel (S) for outdoor marine environment.

Finish

Powder coated white RAL9016 in gloss 90 for easy maintenance

Optic

Diffuser in moulded polycarbonate with self-locking clips. White painted cover plate between components and light sources.



Electrical specification

High quality IC driver without inrush current. Version with emergency for 1,5 hours or 3 hours are available. Conversion kit available to upgrade MAX T8 to LED version.

Light Source

Special designed linear LED modules with integrated IC driver technology light colour temperature of 5000K

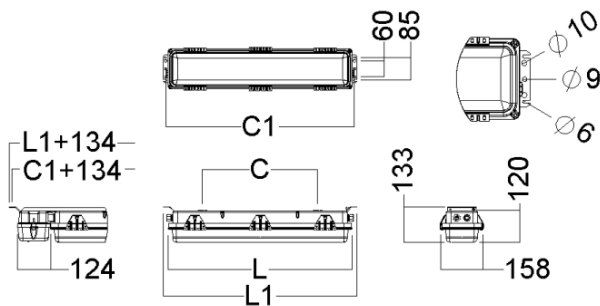
Mounting

To be mounted on ceiling, cable trays or brackets welded to building construction. Fixed end brackets as standard, other on request.

Connection

One cable gland and one blind plug at each end as standard. One 6-way Ex screw terminal block 6 mm² each end. Through wiring 6 x 2,5 mm².

Illustrations



Types	L1	C1	L	C= Hood nuts M8 distance		
MAX-600 LED IC	724	704	687	400	430	500
MAX-1200 LED IC	1334	1314	1296	500	700	950

Images

