

# GSB LED U

LED mirror luminaire with UL certificate



## Description

The LED mirror luminaires are applicable for accommodation areas. They are designed to meet maritime requirements and UL approval. The robust mirror lamps with their soft light distribution are for wall mounting above or on side of mirror.

Steel housing with spring operated plastic end caps. Powder coated white RAL9016.  
OP = Diffuser in Opal acrylic, S = Switch, U = Socket, I = Razor (only insulation transformer).  
These mirror luminaires are available with LED light sources.

## Technical specifications

### Application

Bathrooms, mirrors, desk, berths, etc.

### Housing

Aluzinc sheet steel

### Finish

Epoxy powder coated, white RAL 9016.

### Diffuser

3mm opal acrylic diffuser attached by endcaps.

### Electrical specification

Flexible wiring, heat resistant to 105°C.

### Cable entry

One 1/2" knockout in back and side, others upon request.

### Light Source

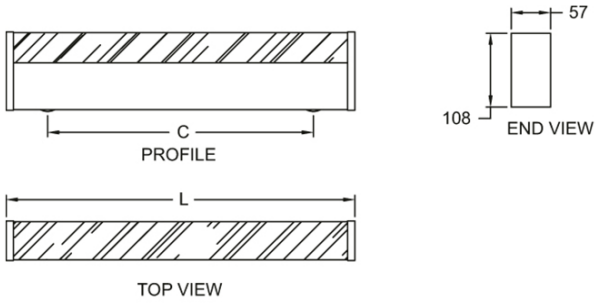
LED

### Mounting

Direct to ceiling or bulkhead.



## Illustrations



All Dimensions in mm

## Images



Authorized Distributor:  
**Pacific Marine & Industrial**  
[www.pacificmarine.net](http://www.pacificmarine.net)  
[info@pacificmarine.net](mailto:info@pacificmarine.net)