



GKI LED U

Multipurpose LED luminaire with UL certificate



Description

High quality marine luminaire surface with UL approval.

These fixtures are applicable for a wide range of different areas, e.g. machinery rooms, stores, passage ways etc. They are designed to meet maritime requirements.

The high quality lighting fixtures with their smooth design are available with different housings (Aluzinc sheet steel or stainless steel, deep drawn, seamless. Epoxy powder coated, white RAL 9016) and functions such as 0-10v dimming and integrated battery back-up.

Available with LED light sources.

Technical specifications

Light Source

LED

Electrical specification

Flexible wiring, heat resistance to 105°C; through wiring up to 15 A. Versions with battery backup available.

Housing

Aluzinc sheet steel or stainless steel, deep drawn, seamless. Epoxy powder coated, white RAL 9016.

Dimensions

W: 165 mm H: 128 mm L: 724 / 1334 mm

Battery backup

Optional 90 minute battery backup. 500 – 600 lumens for 90 minutes at 20°C. Other configurations available on request.

Cable entry

One M25 cable gland and one M25 blind plug in each end. Other configurations available upon request.

Accessories

2 fixed brackets for direct mounting to bulkhead or deckhead. Custom mounting brackets are also available.

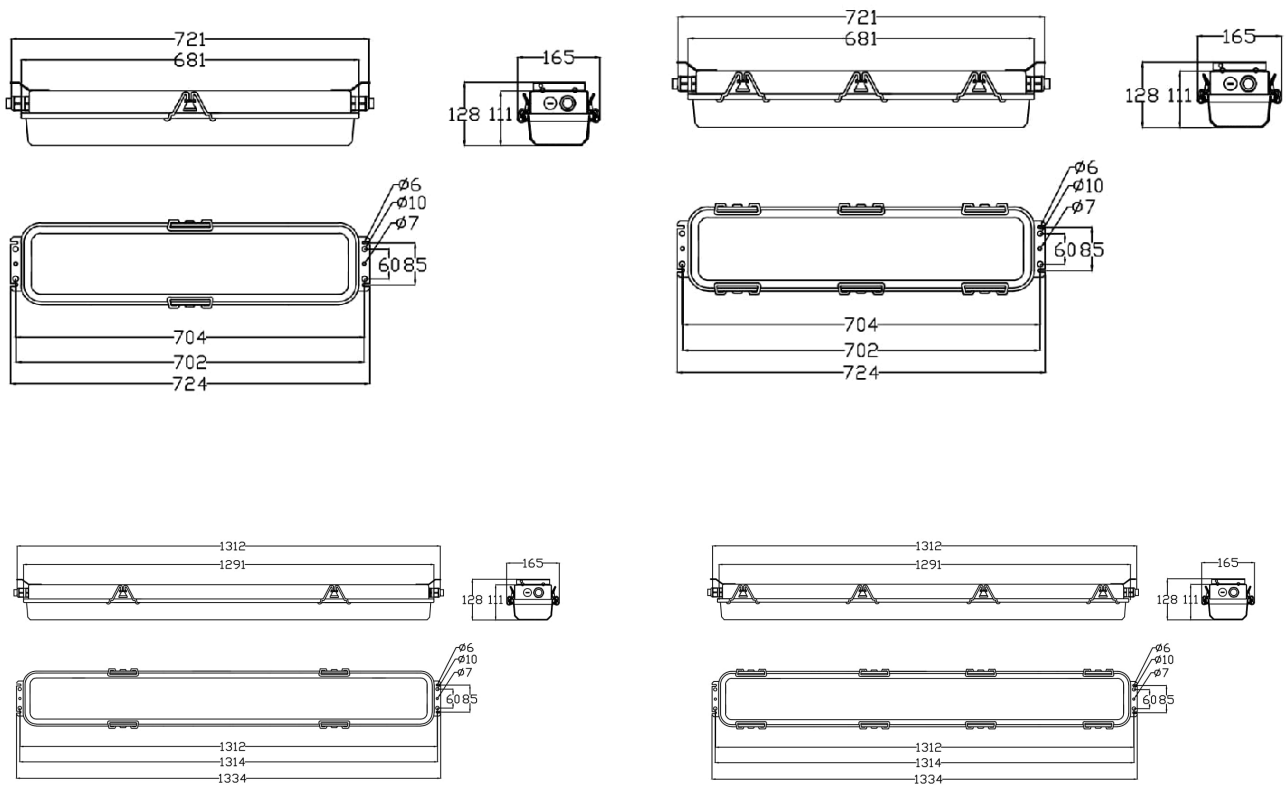
Mounting

2 fixed brackets for direct mounting to bulkhead or deck head. Custom mounting brackets are available on request.

Dimming

0-10v dimming standard on some versions, available in others upon request.

Illustrations



Images



Authorized Distributor:
Pacific Marine & Industrial
www.pacificmarine.net
info@pacificmarine.net