



# GKASA LED U

LED cornice luminaire with UL certification



## Description

Corner lights are applicable for accommodation areas and passage ways for mounting in corner on wall or ceiling. They are designed to meet maritime requirements and UL approval. Steel housing with screw fixing steel end caps. Powder coated white RAL9016. Opal acrylic diffuser.

These corner luminaires have LED light sources.

## Technical specifications

### Application

Cabins, corridors, restrooms, etc.

### Housing

Aluzinc sheet steel

### Finish

Epoxy powder coated, white RAL 9016

### Diffuser

3mm opal acrylic diffuser attached by endcaps

### Electrical specification

Flexible wiring, heat resistant to 105°C.

### Cable entry

One ½" knockout in back and top, others upon request

### Battery backup

Optional 3 hour battery backup. Other configurations available upon request.

### Mounting

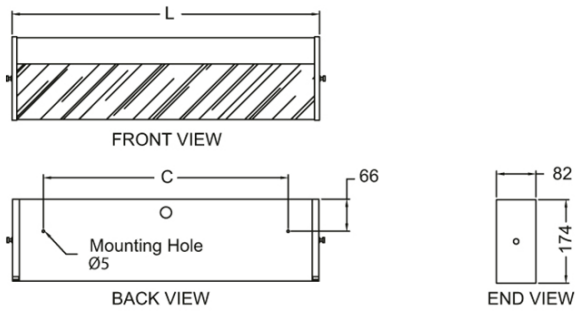
Cornice mounting, direct to ceiling or bulkhead.

### Dimming

Available with dimmable driver.



## Illustrations



All Dimensions in mm

## Images

