



1961 LED

Galley luminaire



Description

High quality Surface mounted Led luminaire for kitchens, galleys, pantries and provision stores, where there are strict hygiene rules. According to rules of USPH (U.S. Public Health) and maritime classification societies, additional VDE and IEC/CN.

Ground plate in stainless steel. High quality silicone gasket to sit firmly against stainless ceiling. Gear tray zinc coated steel and epoxy powder coated, white RAL 9016.

Galley luminaires with their flat design are easy to install and maintain. Easy to clean.

2800lm is equal in size to 2×14W T5 or 2×18W T8

5500lm is equal to 2×28W T5 or 2×36W T8.

Technical specifications

Application

For kitchens, galleys, pantries and provision stores.

Design

According to rules of USPH (U.S. Public Health) and to rules of maritime classification societies, additional VDE and IEC/EN.

Housing

Ground plate stainless steel. Gear tray zinc coated steel.

Finish

Gear tray: powder coated white RAL9016 and enamelled up to 70-80 µm thickness.

Optic

Clear polycarbonate

Electrical specification

High quality driver for 110V to 240V, flexible wiring heat resistant up to 105°C, removable gear tray with plug in connector to the terminal on ground plate

Light Source

Linear LED arrays with 2×10W or 2×15W

Mounting

To be mounted with 6/8 holes, Ø5 mm

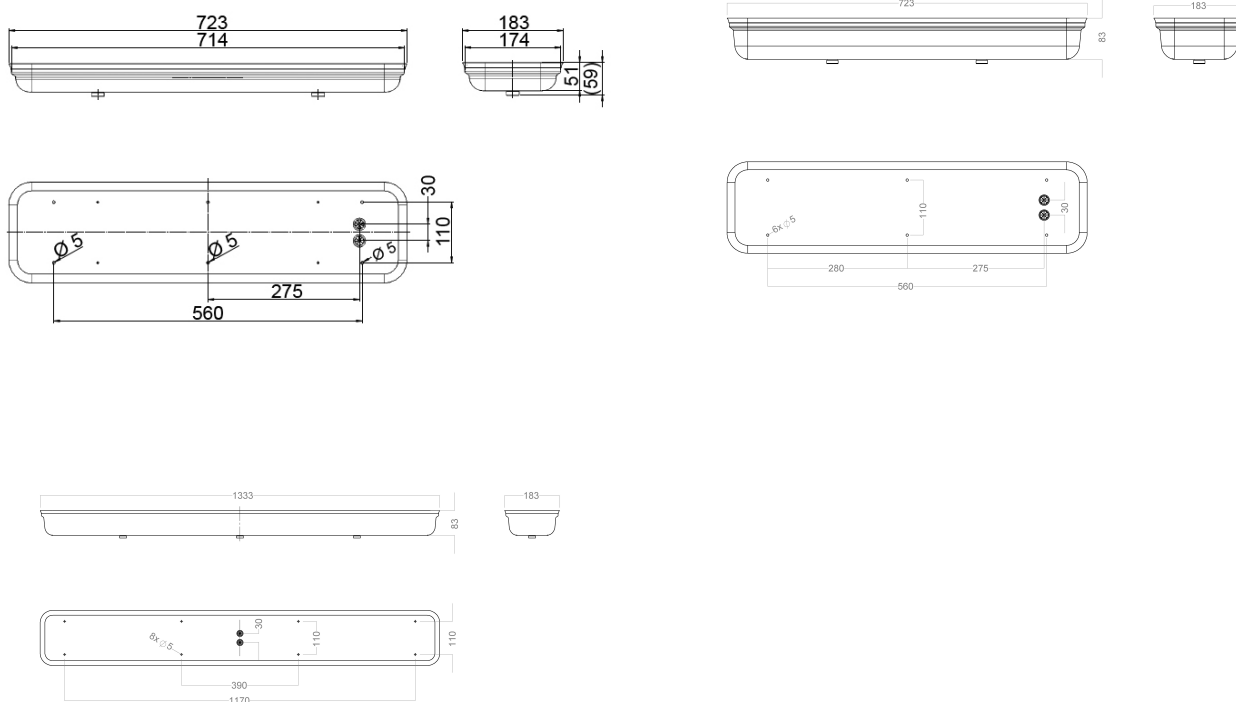
Connection

2 grommets for max. cable Ø12.7 mm. Terminal 3-pole/2.5 mm².



Authorized Distributor:
Pacific Marine & Industrial
www.pacificmarine.net
info@pacificmarine.net

Illustrations



Images

