



# 1961 LED U

## LED Galley Luminaire



## Description

Galley luminaires are applicable for kitchens, galleys, pantries and provision stores. They are designed to meet maritime requirements and are according to the rules of USPH (U.S. Public Health) and have UL approval. Galley luminaires with their flat design are easy to install and maintain as well as easy to clean.

The 1961 galley luminaires are available with LED light sources.

## Technical specifications

### Approvals

UL 1598 & 1598A and US Dept. of Public Health.

### Body material and colour

Stainless steel backplate and aluzinc sheet steel geartray. Geartray: epoxy powder coated, white RAL 9016.

### Diffuser

Clear polycarbonate

### Electrical specification

Flexible wiring, heat resistant to 105°C.

### Cable entry

Two inlets for max. cable diameter of 11 mm.

### Light Source

LED

### Mounting

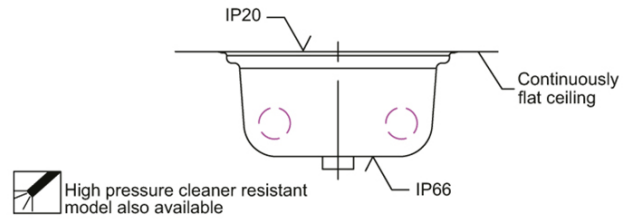
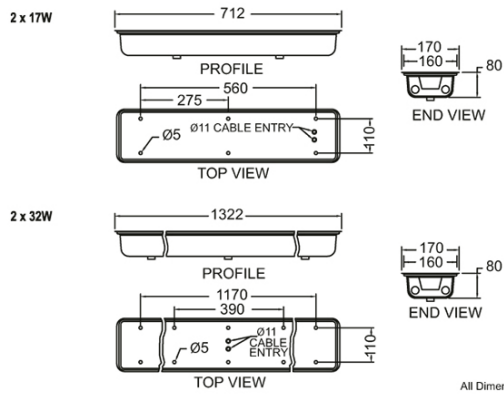
Direct to continuously flat ceiling. 6/10 mounting holes, 5 mm in diameter.

### Battery backup

Available with 3 hour battery backup (at 0°C)



## Illustrations



## Images

