



1044 | 1444

Multipurpose luminaire surface



Description

Multipurpose luminaire surface. For workshops, engine rooms, stores, holds, passage ways etc.

According to rules of maritime classification societies, additional VDE and IEC / EN. Housing in zinc coated steel or stainless steel AISI 316 available. Powder coated white RAL 9016 and enameled up to 70 - 80 µm thickness. Emergency versions are available with integrated battery 3 hours battery duration.

Technical specifications

Diffuser

Clear polycarbonate, others on request.

Termination

Terminal 3-pole/6 mm². 1 or 2 glands at each end M20/M24 x 1.5 MGG/MGCC or connection box with up to 4 glands. Standard glands are available in polyamide or brass (1444).

Remarks

1044: Standard variations e.g. connection box, HF-ballast on request. 1444: Special variations e.g. stainless steel housing, welded or screwed brackets, preinstalled threaded bushings M8 or battery backup available.

Application

For workshops, engine rooms, stores and passage ways. According to rules of maritime classification societies, additional VDE and IEC/EN.

Housing

Zinc coated steel (1044) or stainless steel AISI 316 (1444) deep drawn.

Finish

Powder coated white RAL9016 and enamelled up to 70-80 µm thickness.

Optic

Clear polycarbonate, others on request.

Electrical specification

With magnetic ballast, low or high power factor, as standard; electronic ballast available. Flexible wiring heat resistant up to 105°C; removable gear tray with plug-in connector to the housing. Through wiring available.



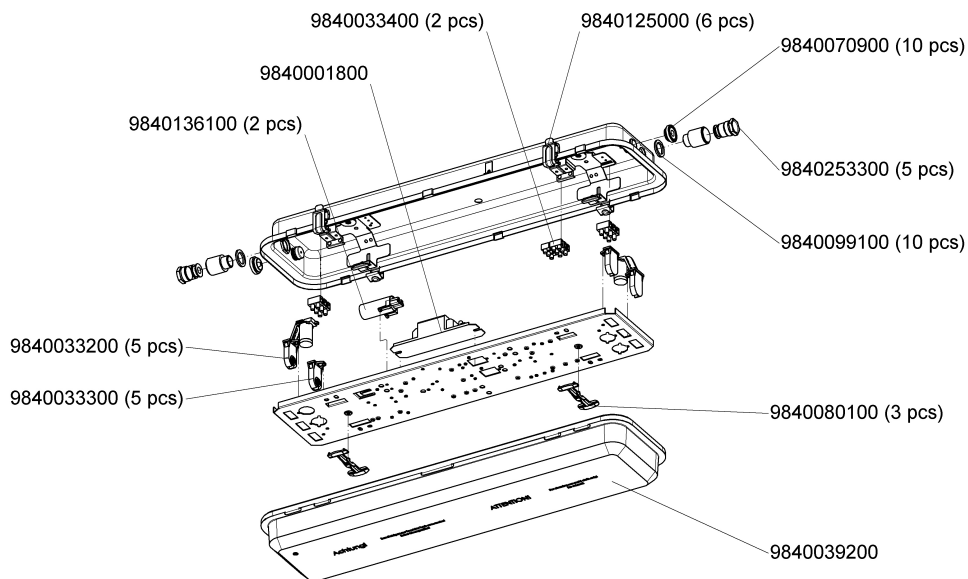
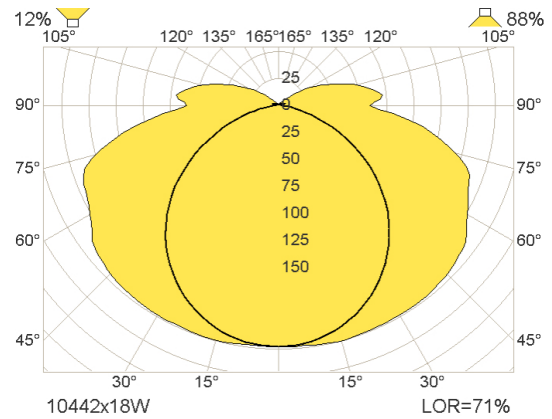
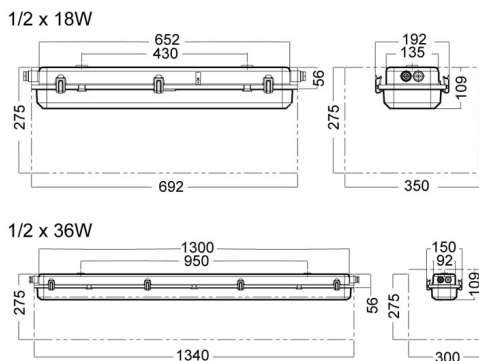
Light Source

Designed for one or two T8 (T26) fluorescent lamps in 18W or 36W (not included). Light base G13.

Mounting

To be mounted with 2 holes, Ø13 mm or preinstalled threaded bushing.

Illustrations





Images

