

SL1 LED Searchlight



Description

The SL1, strong enough for any professional use, good looking enough to fit any yacht. Based on all our knowhow from the CL/SL series the new SL1 brings a new standard to the market.

The SL1 is developed for the professional customers that meet the harsh marine conditions, virtually without maintenance maximizing your time in operation. Built to meet very high quality standards in a compact and robust format and with a new control system, all made to support your operations. The SL1 can be installed in standing or hanging mount and is ready for integration.

Now also with Wave compensation as standard!

- Compact size
- Flexible installation
- Rugged construction
- Marine resistant materials of highest class
- Virtually maintenance free
- Unlimited horizontal movement
- Superior operator control system – new generation
- Language selections in display
- Unique control features
- Wave compensation
- Powerful LED
- 1 lux at 1300m, 20 000 lm
- Digital controlled spot and flood beam
- Dimmable beam
- Min. 30.000 light hours
- Excellent EMC characteristics
- Integration ready together with Unity HUB

Technical specifications

Technology

LED light source with dimmable and adjustable beam focus.

Input power

18-32 VDC



Authorized Distributor:
Pacific Marine & Industrial
www.pacificmarine.net
info@pacificmarine.net

LN Color rendering index

70 (minimum)

LN Color temperature

6.000K

Range

1.300 m (1 lux)

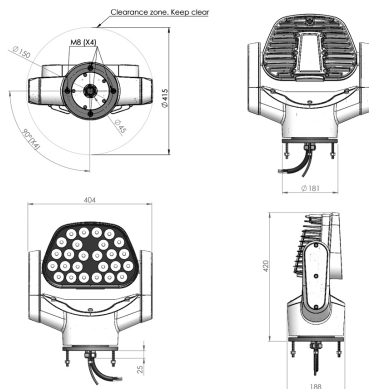
Optic

15° / 12.000 lm

Spot beam

3.5° / 20.000 lm / 2 MCd

Illustrations



Authorized Distributor:
Pacific Marine & Industrial
www.pacificmarine.net
info@pacificmarine.net

Images



Authorized Distributor:
Pacific Marine & Industrial
www.pacificmarine.net
info@pacificmarine.net