



SH D|DH

Searchlight Halogen direct operated and direct operated high



Description

Direct operated halogen searchlights SH 260, SH 310, SH 470 and SH 480 D/DH are suitable for all kinds of ships. Built with corrosion resistant components, and designed for extreme marine environments which require minimum maintenance.

Low weight and simple to mount, these searchlights provide reliable lighting in all kinds of temperature.

Technical specifications

Light Source

Halogen lamp with sockets and wattages as given in product table. Lamp included. QT 250, 650, 1000, 2000, 3000 W

Electrical specification

24V, 115V, 230V

Housing

Made of seawater resistant aluminium finished in white polyester coating

Mounting

D (Direct Operated) or DH (Direct Operated High) with pedestal for high mounting

Optic

Adjustable beam. Hardened front glass and durable silver-plated glass reflector, specially designed for halogen bulbs. With anti-dazzle louvre.

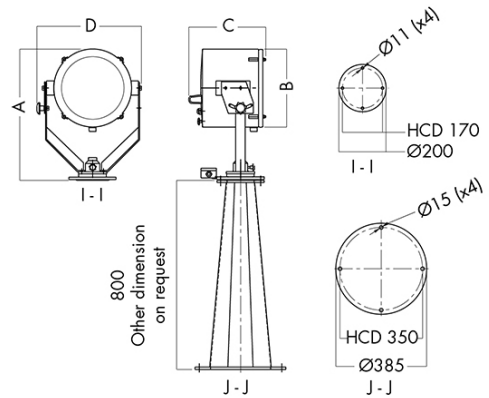
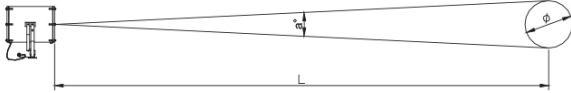
Options

Other RAL colours for housing on request.

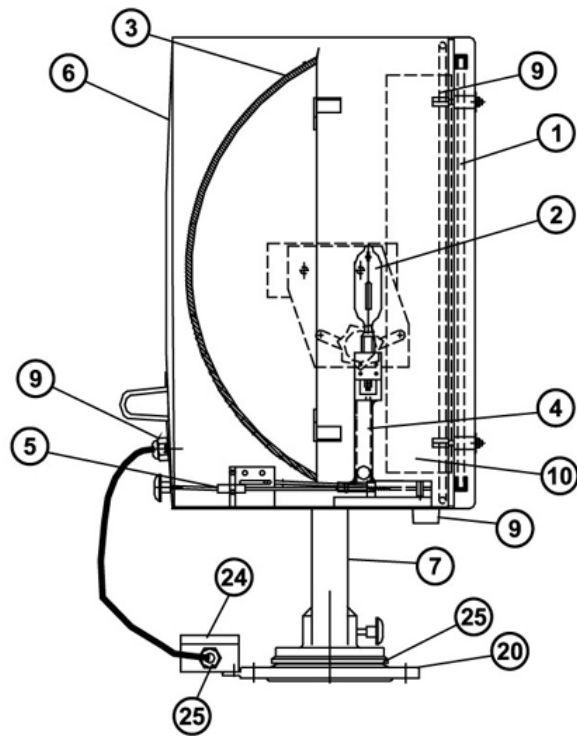


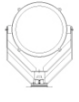

Authorized Distributor:
Pacific Marine & Industrial
www.pacificmarine.net
info@pacificmarine.net

Illustrations



POS	Spare parts Halogen D/DH
1	Front Ring, Complete
2	Lamp code
3	Reflector, Complete
4	Lamp Holder, Complete
5	Focus unit, Complete
5	Focus screw complete Manuel
6	Drum, Complete
7	Forks
9	Seal KIT, Drum
10	Antidazzling screen, Complete
20	Deck Flange, Complete
24	Junction BOX. manuel, Complete
25	Gasket KIT, Deck Flange
N/A	Heat Element Drum



D Bridge operated -short-	DH Bridge operated -high-
	

Images



Authorized Distributor:
Pacific Marine & Industrial
www.pacificmarine.net
info@pacificmarine.net