

DL60-RF155 LED

Downlight LED



Description

DL60 LED is modern downlight family with built-in LED module, that replaces halogen and compact tubes. DL60 runs on low energy and has an extremely long lifetime. It comes with a wide range of trims and decors and is easy to install. The downlights trims are available in white, chrome or brass. DL60 LED downlights have light source and driver included.

DL60-RF155 is IP55 below ceiling. Option for an IP55 décor that closed the reflector. The recessed downlights are approved for marine use.

The DL60-RF155 are also available as emergency lights with 3 hour Battery back-up.

Technical specifications

Application

For crew and public areas as cabins, corridors, stair cases, lounges and shopping areas

Design

According to marine requirements

Housing

Solid die casted aluminum IP20 and option for an IP55 decor that gives IP55 under ceiling. Option for slim trims in White (WH), Chrome (CH) or brass (BR). Can be delivered with or without (WO TR) trim. Option to use CASA(M) metal trims with an adapter built in. Available decors in blue glass or opalic glass. Other decors on request.

Optic

The reflector is available in faceted high gloss (SF) surface/ finish. Reflector is built into a light chamber that reduce glare through an "satine" diffuser. The reflector is also available in matt (SM) or high gloss (SI) on request. Delivered with a dust cover for protection during the building period.

Electrical specification

With electronic driver HF, analogue (HFDa) (1-10V) or with DALI dimming. Emergency or UPS version on request.

Light Source

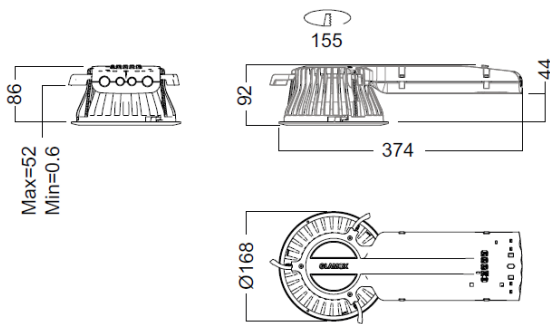
LED 800 or 1100 lumen 830, 840 on request

Connection

To be delivered with quick connector 1 or 2 x Ensto NAC (QCE), option for 1 or 2 x Wago Midi (QCA) or with push in terminal block 5 x 2 x 2.5 mm² with Linect® (LI).

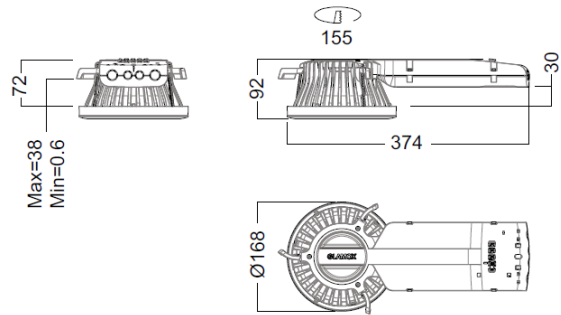
Illustrations

DL60-RF155



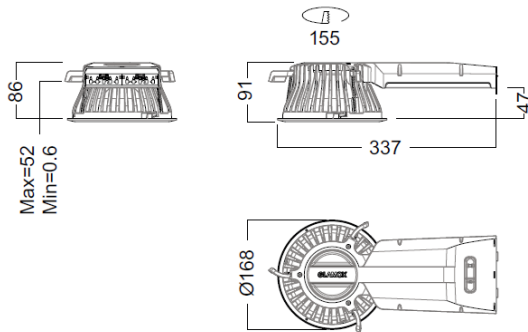
Max ceiling thickness 31 mm

DL60-RF155 Distance ring



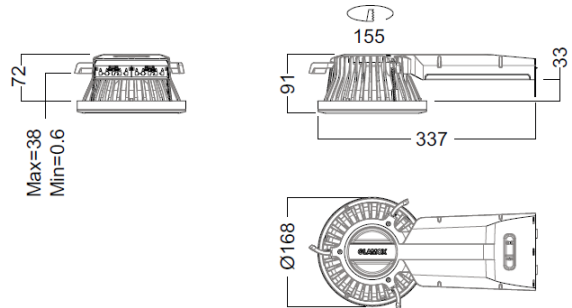
Max ceiling thickness 27 mm

DL60-RF155 QC

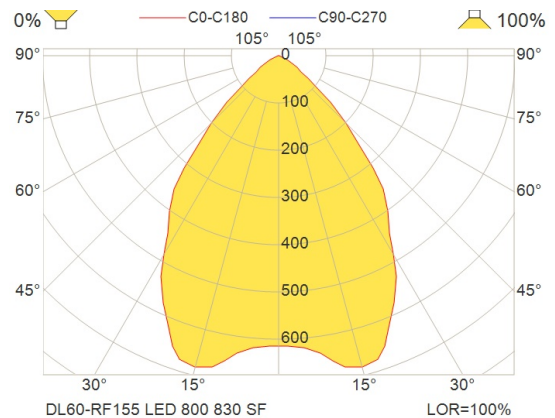
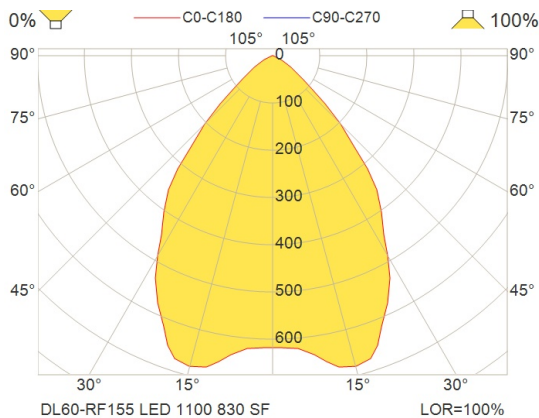


Max ceiling thickness 36 mm

DL60-RF155 QC Distance ring



Max ceiling thickness 31mm



Authorized Distributor:
Pacific Marine & Industrial
www.pacificmarine.net
info@pacificmarine.net



Images

