

DL60-R92H LED

Downlight LED



Description

DL60 LED is modern downlight family with built-in LED module, that replaces halogen and compact tubes. DL60 runs on low energy and has an extremely long lifetime. It comes with a wide range of trims and decors and is easy to install. The downlights trims are available in white, chrome or brass. DL60 LED downlights have light source and driver included.

DL60-R92H is IP20. H means High version suitable for thicker ceilings upto 52mm (-R92 is the lower model). Option for an IP55 décor that gives IP55 under ceiling. The recessed downlights are approved for marine use.

Technical specifications

Application

For crew and public areas as cabins, corridors, stair cases, lounges and shopping areas

Design

According to marine requirements

Housing

Solid die cast aluminum IP20. Option for slim trims in White (WH), Chrome (CH) or brass (BR). Can be delivered with or without (WO TR) trim. Option for an IP55 decor that gives IP55 under ceiling.

Optic

The reflector is available in faceted high gloss (SF) surface/finish. Reflector is built into a light chamber that reduces glare through a plate. Two different beam angles 12° or 36°. Delivered with a dust cover for protection during the building period.

Electrical specification

With electronic driver HF, analogue dimming HFDa (1-10V) or DALI dimming

Light Source

DL60-R92 LED 500: LED 500 lumen 830, 840 on request. Replaces halogen 20 to 35W. DL60-R92 LED 700: LED 700 lumen 830, 840 on request. Replaces halogen 50W.

Mounting

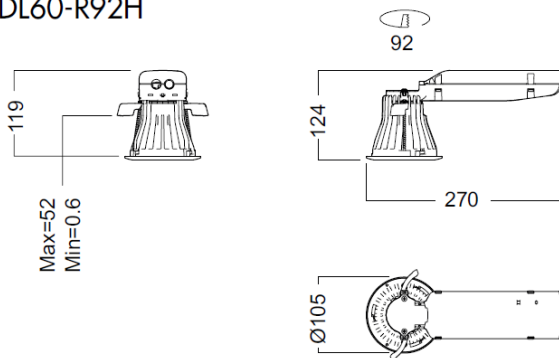
Recessed mounting, fixed with 2 adjustable suspension arms. Possibility for screw mounting. Possible to reduce height above ceiling with a distance ring that can be ordered as accessory. For B0 or B15 fire protection look at service manual.

Connection

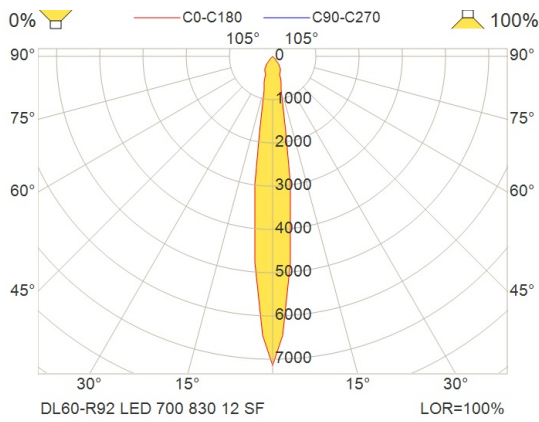
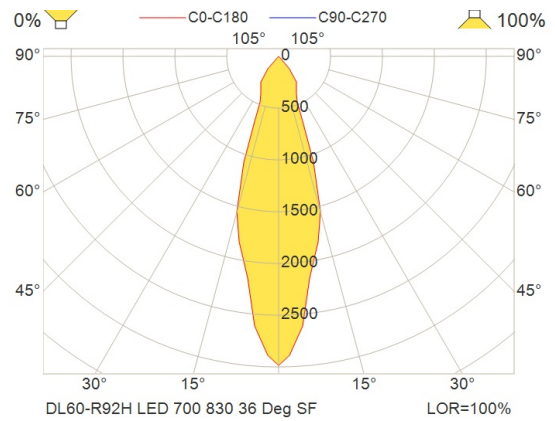
To be delivered with quick connector 1 or 2 x Ensto NAC (QCE), or with push in terminal block 3 or 5 x 2 x 2.5 mm². Possibility for 2 cables in or out. Quick connector Wago Midi (QCA) on request.

Illustrations

DL60-R92H



Max ceiling thickness 52 mm



Authorized Distributor:
Pacific Marine & Industrial
www.pacificmarine.net
info@pacificmarine.net

Images

