

# DL60-R155 LED

Downlight LED



## Description

DL60 LED is modern downlight family with built-in LED module, that replaces halogen and compact tubes. DL60 runs on low energy and has an extremely long lifetime. It comes with a wide range of trims and decors and is easy to install. The downlights trims are available in white, chrome or brass. DL60 LED downlights have light source and driver included.

**DL60-R155** is IP55 below ceiling. High version suitable for thicker ceilings upto 52mm (-RF155 is the lower model) . Option for an IP55 décor that closed the reflector. The recessed downlights are approved for marine use.

The DL60-RF155 are also available as emergency lights with 3 hour Battery back-up.

## Technical specifications

### Application

For crew and public areas as cabins, corridors, stair cases, lounges and shopping areas

### Design

According to marine requirements

### Housing

Solid die casted aluminum IP20 and option for an IP55 decor that gives IP55 under ceiling. Option for slim trims in White (WH), Chrome (CH) or brass (BR). Can be delivered with or without (WO TR) trim. Option to use CASA(M) trims with an adapter built in. Available decors in blue glass or opalic glass. Other decors on request.

### Optic

The reflector is available in faceted high gloss (SF) surface/ finish. Reflector is built into a light chamber that reduce glare through an "satine" diffuser. The reflector is also available in matt (SM) or high gloss (SI) on request. Delivered with a dust cover for protection during the building period.

### Light Source

LED 800 or 1100 lumen 830, 840 on request. Available on request with 1400 or 2100 lumen.

### Mounting

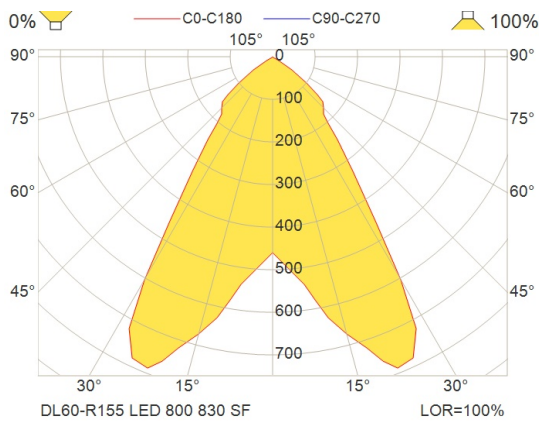
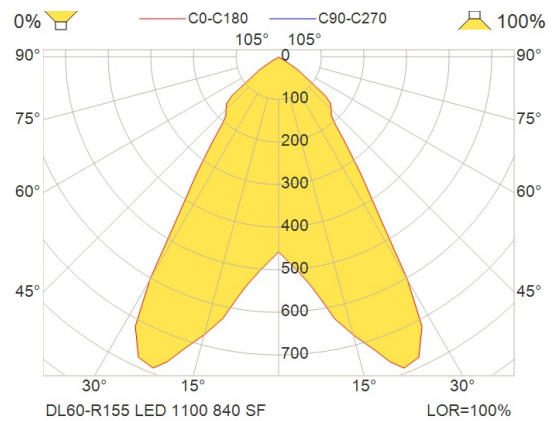
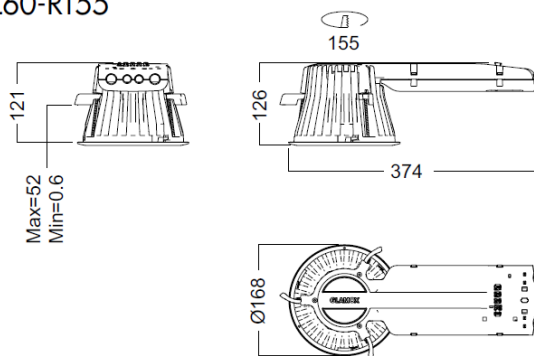
Recessed mounting, fixed with 3 adjustable suspension arms. Possibility for screw mounting. Designed for B15 ceilings with up to 52 mm thickness. Possible to reduce height above ceiling with a distance ring that can be ordered as accessories. For B0 or B15 fire classification look at service manual.

### Connection

To be delivered with quick connector 1 or 2 x Ensto NAC (QCE), option for 1 or 2 x Wago Midi (QCA) or with push in terminal block 5 x 2 x 2,5 mm<sup>2</sup> with Linect®(LI).

## Illustrations

### DL60-R155



Authorized Distributor:  
**Pacific Marine & Industrial**  
[www.pacificmarine.net](http://www.pacificmarine.net)  
[info@pacificmarine.net](mailto:info@pacificmarine.net)

## Images

