

# DL60 R92 LED HU/LU

LED downlight with UL certificate



## Description

The DL60 LED LU/HU is a new modern slim downlight family with built-in LED, that replaces halogen and compact tubes. DL60 runs on low energy and has a long lifetime. It comes with a wide range of trims and decors as accessories and it is easy to install. The downlights trims are available in white, brass or chrome and have LED light source and driver included. The recessed downlights are UL marine certified.

## Technical specifications

### Application

For crew and public areas as cabins, corridors, stair cases, lounges and shopping areas.

### Design

According to UL marine requirements

### Housing

Aluzinc sheet steel. Option or slim trims in White (WH), Chrome (CH) or brass (BR). Can be delivered with or without (WO TR) trim. Trims come with dust cover for protection during building period.

### Optic

The reflector is available in faceted high gloss (SF) surface/finish. Reflector is built into a light chamber that reduces glare through a diffuser. Beam angles 12 and 36°. Delivered with a dust cover for protection during the building period.

### Electrical specification

With electronic driver HF, analogue (HFDA) (1-10V)

### Light Source

DL60-R92 LU/HU LED 500: LED 500 lumen 830, 840 on request. Replaces halogen 20 to 35W.  
DL60-R92 LU/HU LED 700: LED 700 lumen 830, 840 on request. Replaces halogen 50W.

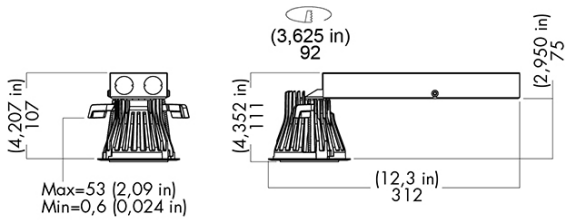
### Mounting

Recessed mounting, fixed with 2 adjustable suspension arms. Possibility for screw mounting. Possible to reduce height above ceiling with a distance ring that can be ordered as accessory. Recommended min-max ceiling thicknesses: LU versions: 0,6-18 mm HU versions: 19-53 mm

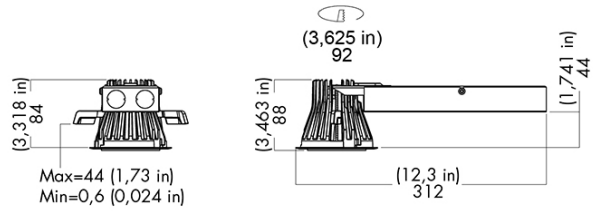
### Connection

To be delivered with push in terminal block 5 x 2 x 4 mm<sup>2</sup>. Possibility for 2 cables in or out. Can be provided with knockouts for 1/2" nominal trade size conduit or by one Listed (QCRV) Liquid Cord Tight Fitting, M20 size.

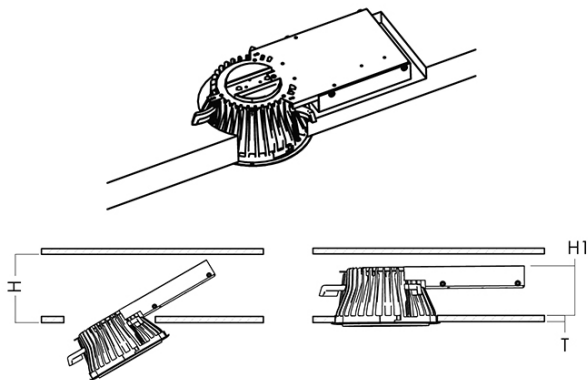
### Illustrations



Max ceiling thickness 53 mm (2,09 in)



Max ceiling thickness 18 mm (0,709 in)



Without distance ring (mm) / (in)

Type	H1	H (T=1)	Tmax	H (T=Tmax)
DL60-R92 LU	84-T / 3.31-T	160 / 6.30	18 / 0.709	215 / 8.47
DL60-R92 HU	107-T / 4.21-T	135 / 5.32	53 / 2.09	250 / 9.85

With distance ring (mm) / (in)

Type	H1	H (T=1)	Tmax	H (T=Tmax)
DL60-R92 LU	70-T / 2.76-T	160 / 6.30	15 / 0.59	213 / 8.39
DL60-R92 HU	93-T / 3.66-T	135 / 5.32	36 / 1.42	235 / 9.26



Authorized Distributor:  
**Pacific Marine & Industrial**  
[www.pacificmarine.net](http://www.pacificmarine.net)  
[info@pacificmarine.net](mailto:info@pacificmarine.net)

## Images

