

TL11 LED

LED luminaire for recessed installation



Description

For recessed installation in solid ceilings where IP44-rating is required (DP and OP variants). According to maritime requirements.

Robust steel housing and steel frame fits to housing with screws. Powder coated white RAL9016. Double prismatic (DP) or Opalic (OP) plastic sheet in steel frame (IP44) or White grid (WG) plastic in frame (IP20). Suspension brackets (MNT-S) are included for TL11-R222; for TL11-R250 they have to be ordered as accessories.

TL11-R250 LED is designed for solid ceilings. It can be used for retrofit since it fits to old cut outs for old aquas signal 1226 and old Glamox GIM with T8/T12.

TL11-R222 LED is specially designed for shadow panels as Danacoustic or Dampa M3.

Emergency box EB3 has to be ordered as accessory for TL11-R EB3 LED versions. Emergency is integrated at TL11-R E3 fluorescent.

Technical specifications

Application

For recessed installation in solid ceilings, where IP44-rating is required (DP and OP variants).

Design

According to maritime requirements.

Housing

IP44 Steel housing and steel frame that fits to housing with screws. Powder coated white RAL9016.

Diffuser

Double prismatic (DP) or Opalic (OP) plastic sheet in steel frame (IP44).

Electrical specification

With electronic driver HF, with analogue dimming HFDa 2 - 10 V or with emergency HF-EB. External battery box to be ordered separately. DALE on request.

Light Source

LED 830, 840 or 850 on request



Authorized Distributor:
Pacific Marine & Industrial
www.pacificmarine.net
info@pacificmarine.net

Mounting

TL11-R222: To be installed in ceiling cut out with adjustable suspension brackets. Suspension brackets is included. TL11-R250: To be installed in ceiling cut out with adjustable suspension brackets. Suspension brackets to be ordered separately ⇒ Mounting Bracket - TL11210003 (set of 4 pcs)

Cable entry

Two holes Ø 20,5 mm with rubber grommet on top and two knock outs Ø 20,5 mm in each end.

Termination

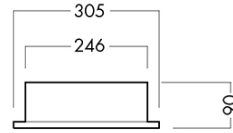
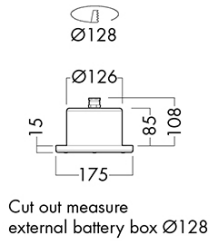
One 5-way push in terminal block, 2 x 2,5 mm².

Remarks

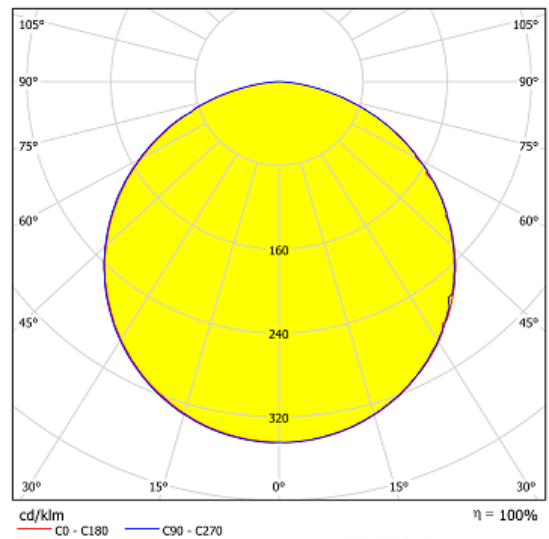
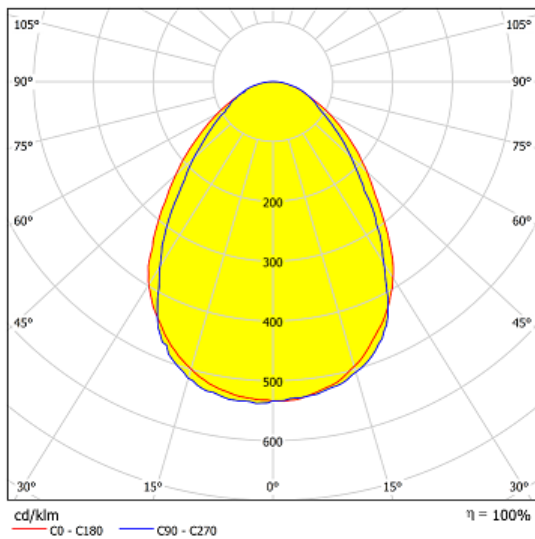
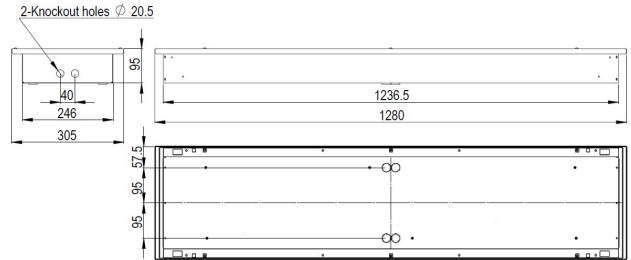
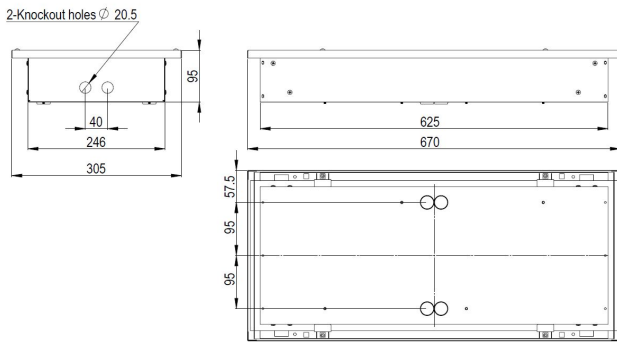
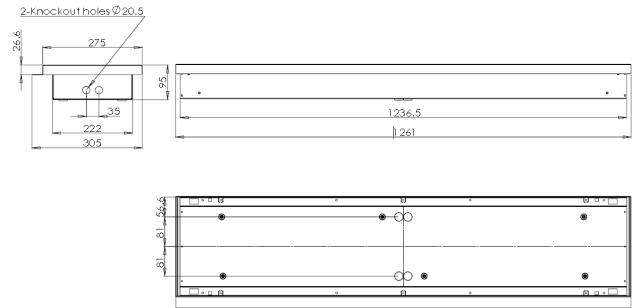
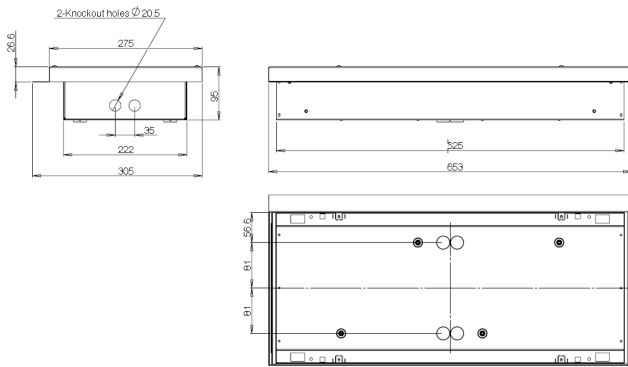
TL11-R222: Emergency battery box to be ordered separately. TL11-R250: Variants to adaption to panel ceiling available on request. Emergency battery box to be ordered separately. Cut out dimensions: 1200 / 1400 W: 285 x 630 mm 2400 / 2800 W: 285 x 1240 mm



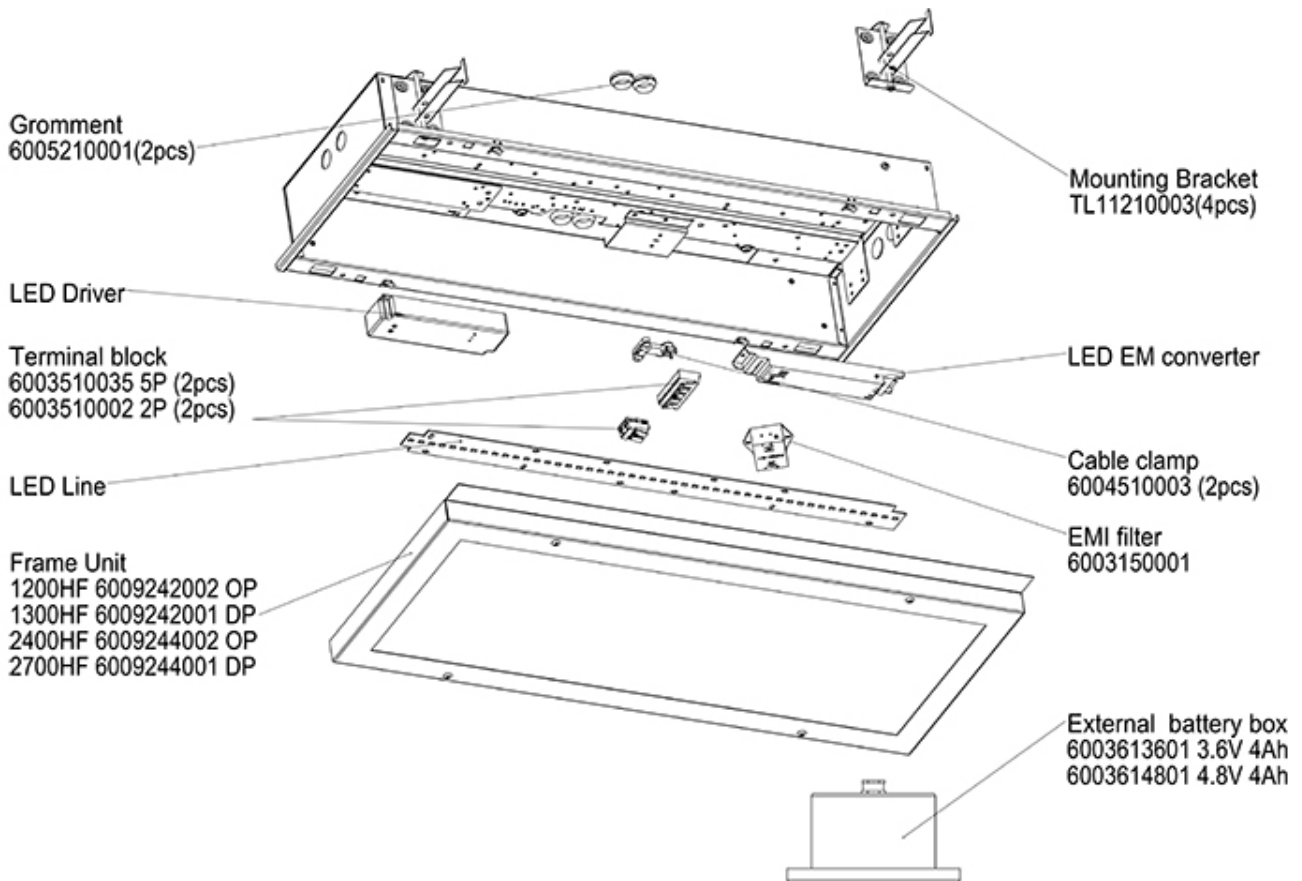
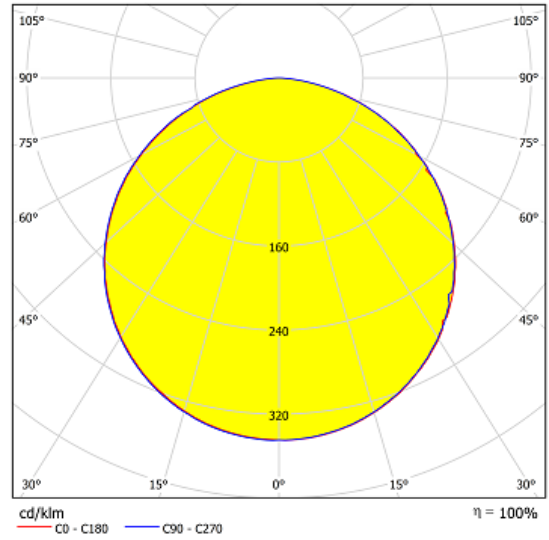
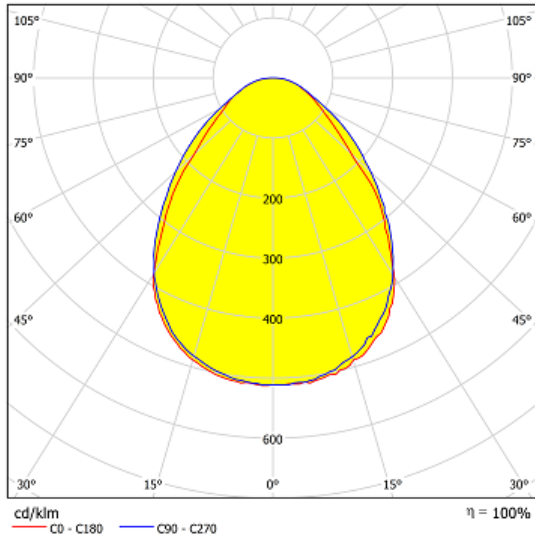
Illustrations



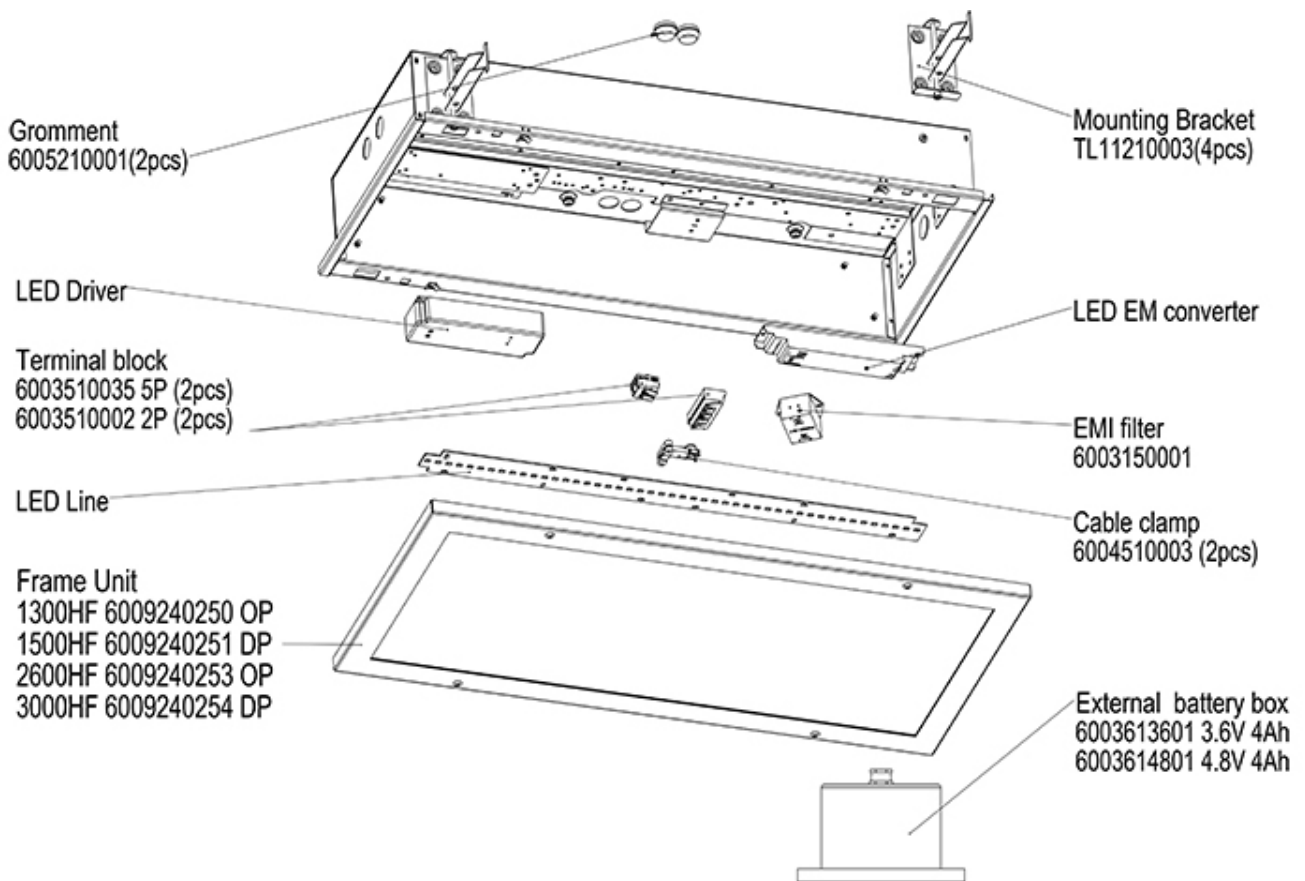
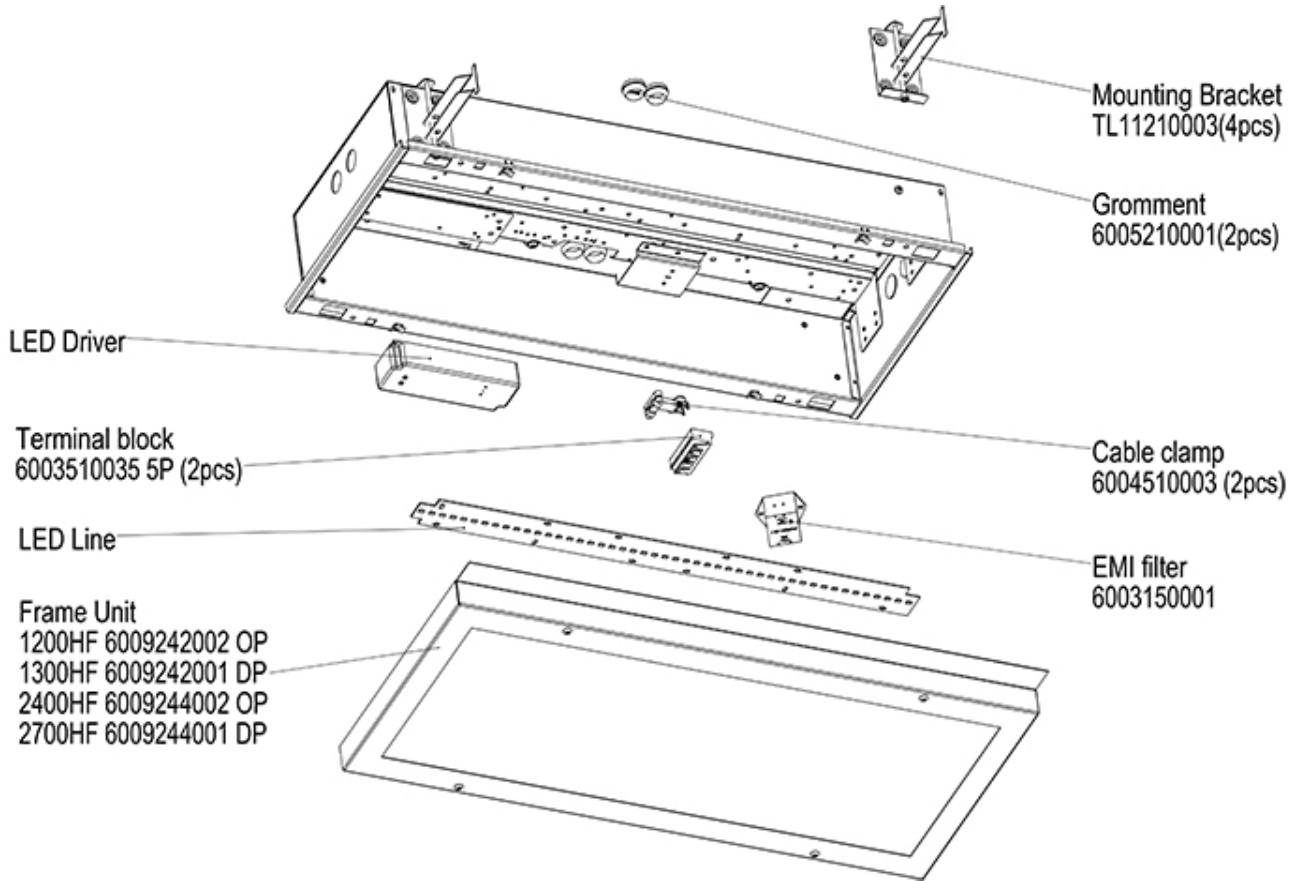
Cut out measure for solid ceiling
1200/1400 = 285 x 630 (W x L)
2400/2800 = 285 x 1240 (W x L)



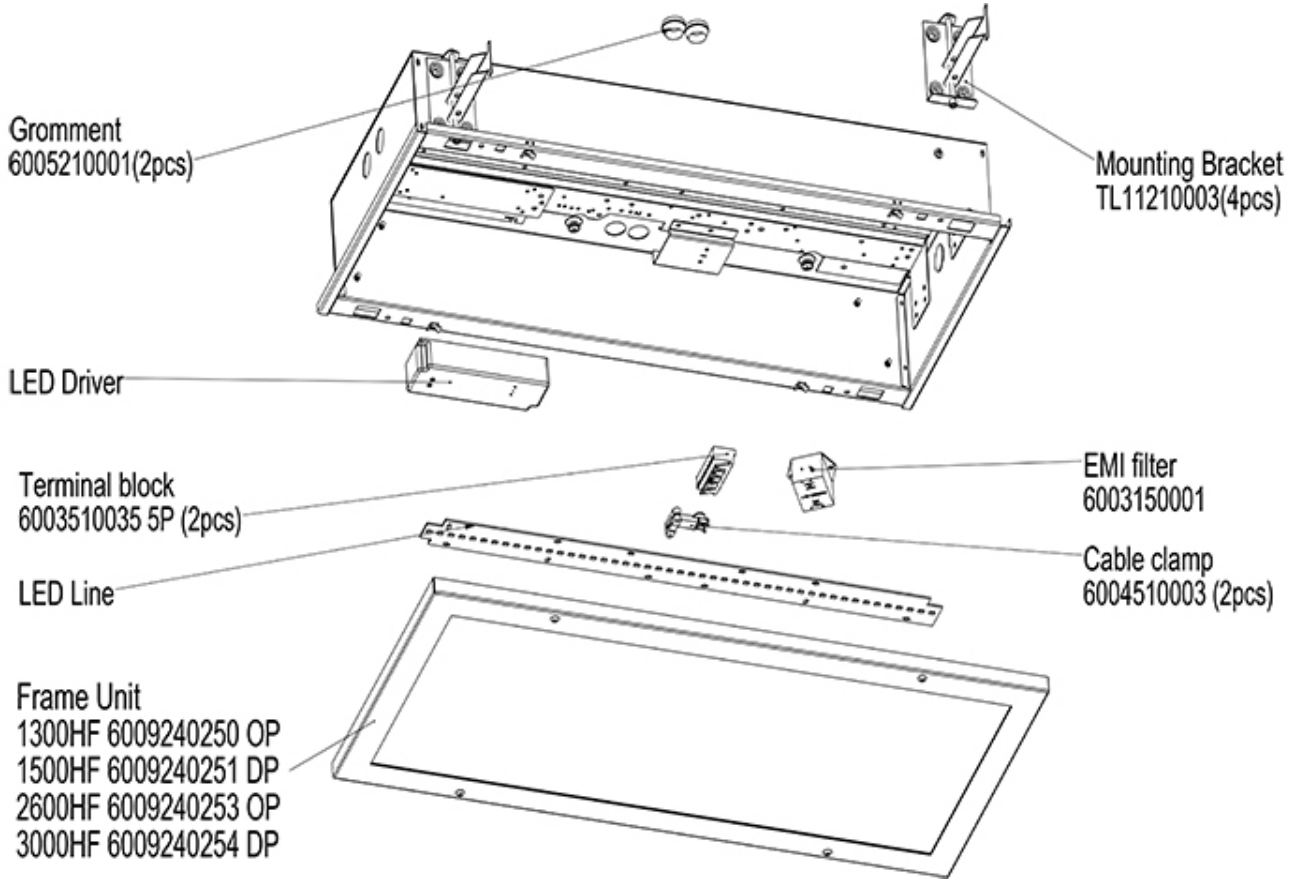
Authorized Distributor:
Pacific Marine & Industrial
www.pacificmarine.net
info@pacificmarine.net



Authorized Distributor:
Pacific Marine & Industrial
www.pacificmarine.net
info@pacificmarine.net



Authorized Distributor:
Pacific Marine & Industrial
www.pacificmarine.net
info@pacificmarine.net



Images

