

GIM RT600 LED U

Interior luminaire, recessed



Description

Ceiling luminaires are applicable for accommodation areas. They are designed to meet maritime requirements and UL approval. Lighting fixtures for ceilings with their high quality light distribution are easy to install and maintain. Some models have a wide range of optical systems and side profiles or frame for adaption to different ceiling types.

GIM ceiling luminaires are available with LED light source.

Highlights:

Easy installation

Ingress Protection IP44

For use in 600 mm inverted T-Bar

Technical specifications

Application

Cabins, corridors, galleys, pantries, etc.

Housing

Aluzinc sheet steel

Finish

Epoxy powder coated, white RAL 9016.

Diffuser

Clear prismatic acrylic diffuser, others on request.

Electrical specification

Flexible wiring, heat resistant to 105°C; through wiring up to 15 A. Available with dimmable driver.

Cable entry

Two ½" knockouts in each end, others upon request.

Light Source

LED

Battery backup

Optional 90-minute or 3 hour battery backup. Other configurations available upon request.



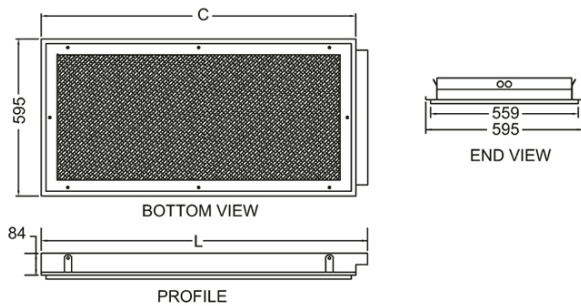
Authorized Distributor:
Pacific Marine & Industrial
www.pacificmarine.net
info@pacificmarine.net

Charge time after full discharge

24 hours.

Mounting

Designed for 600 mm inverted T-bar ceiling.

Illustrations

All Dimensions in mm

Images

Authorized Distributor:
Pacific Marine & Industrial
www.pacificmarine.net
info@pacificmarine.net