

GIM M300 LED U



Description

GIM M300 ceiling luminaires are applicable for accommodation areas. They are designed to meet maritime requirements and UL approval. Lighting fixtures for ceilings with their high quality light distribution are easy to install and maintain. Some models have a wide range of optical systems and side profiles or frame for adaption to different ceiling types.

GIM ceiling luminaires are available with LED light sources.

Highlights:

Easy installation
Ingress Protection IP44
For use in 300 mm linear tile ceilings

Technical specifications

Application

Cabins, corridors, galleys, pantries, etc.

Housing

Aluzinc sheet steel, IP44, Epoxy powder coated, white RAL 9016.

Diffuser

Clear prismatic acrylic diffuser, others upon request.

Electrical specification

Flexible wiring, heat resistant to 105°C; through wiring up to 15A.

Cable entry

Two ½" knockouts in each end, others upon request.

Light Source

LED

Battery backup

Optional 90-minute or 3 hour battery backup. Other configurations available upon request.

Charge time after full discharge

24 hours



Authorized Distributor:
Pacific Marine & Industrial
www.pacificmarine.net
info@pacificmarine.net

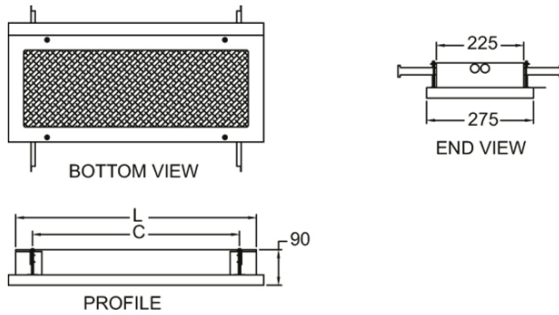
Mounting

Recessed in 300 mm linear tiled ceiling swing out brackets for easy adjustment.

Dimming

Available with dimmable driver.

Illustrations



All Dimensions in mm

Images



Authorized Distributor:
Pacific Marine & Industrial
www.pacificmarine.net
info@pacificmarine.net