

DLT RS (M) LED

Lighting fixtures for panel ceilings



Description

Recessed luminaire, mounting in plank ceilings or solid ceilings. Adaptation for ceiling types with affixed side mouldings/side moulding frames. Side mouldings and side moulding frames are ordered separately. Same for suspension brackets (MNT-I). Steel luminaire housing with white epoxy/polyester powder coated paint finish. Optic (Reflector) can be hinged to both sides for easy installation.

Available with 3 hours battery back-up (EB3) box that has to be ordered separately.

Highlights:

- Energy saving and maintenance saving
- High quality light distribution
- Single or continuous installation in panel ceilings
- Side profiles or frame for adaption to a wide range of ceiling types
- Wide range of optical systems

Technical specifications

IP class

DLT RS(M) products are IP20 with an FR1 or FR2 optic in front.

Application

For recessed installation in panel and solid ceilings.

Design

According to maritime requirements.



Authorized Distributor:
Pacific Marine & Industrial
www.pacificmarine.net
info@pacificmarine.net

Housing

Steel housing and variants of side rails or frames for adaption to most type of panel ceilings.

Finish

Power Coated white RAL9016.

Optic

Frame with options of plastic sheet available as accessory: FR1 = Double prismatic plastic FR2 = Opal polycarbonate plastic Ceiling frame or rails to be ordered separately.

Electrical specification

With electronic driver HF, with analogue dimming HFDA 1-10V or with emergency HF-EB.
External battery box to be ordered separately. DALI dimming on request.

Light Source

LED 830 or 865, 1400 or 2000 lumen.

Mounting

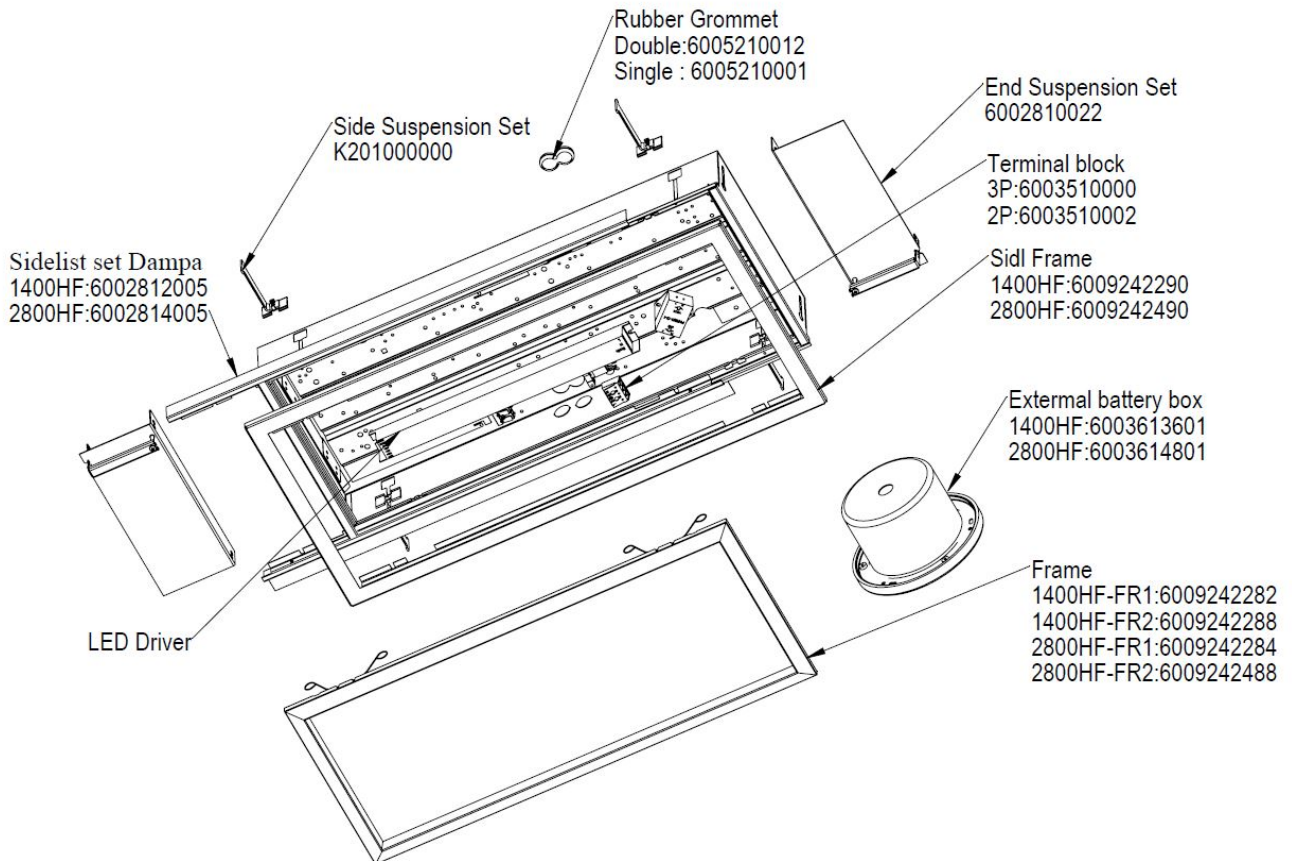
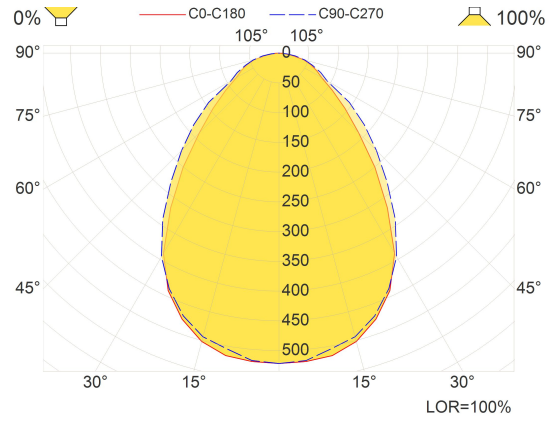
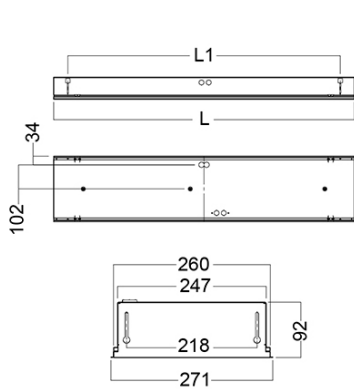
To be mounted in modular panel or solid ceiling. ND: Side rails, frames and suspension brackets to be ordered separately. Emergency battery box to be ordered separately.

Connection

one double hole 20,5 x 41 mm with rubber grommet on top, two knock outs Ø20,5 on other side of top and two knock outs Ø20,5 on one long side. One 3-way + one 2-way push in terminal block, 2 x 2,5 mm².



Illustrations



Images

