



# Series 34

Maintenance free LED navigation lights



## Description

LED navigation lights. The latest LED generation in an attractive and slim design. Totally maintenance-free. The series 34 is specially designed for sailing boats < 50 m / 164 ft. (Bicolor: < 20 m / < 65 ft.)

The navigation lights fulfil all requirements of the "International Regulations for Preventing Collision at Sea 1972 (COLREG)", published by the international Maritime Organization (IMO) and local rules.

The application is depending on the visibility requirements.  
This series is available for all markets worldwide.

## Technical specifications

### Electrical specification

12 - 24 V DC, +/-20%. Multivolt, invers polarity protection included, EMC tested,with degradation control,LED(s) included, 2 x 1.5 mm<sup>2</sup>, self-protective insulation, class II.

### Mounting

Side-mount, pre-wired with 140 mm cable 2 x 0.30 mm<sup>2</sup>/ AWG 22, 2-hole mounting. All masthead(masthaed/anchor) and tricolor (tricolor/anchor) lights are equipped with quicfits system and are deck-mounted.

### Optic

Innovative lens technology for wide visibility with one or twolight-emitting diodes (depending on article).

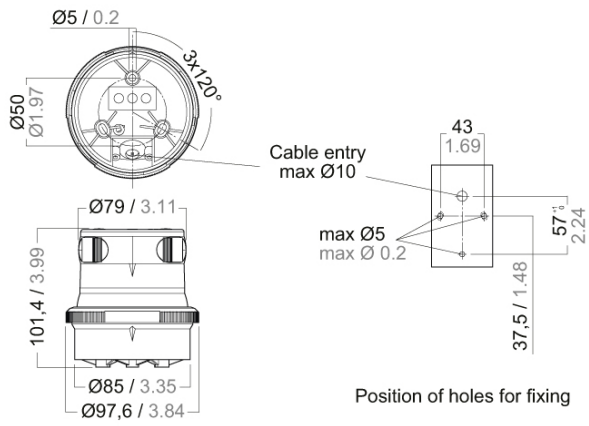
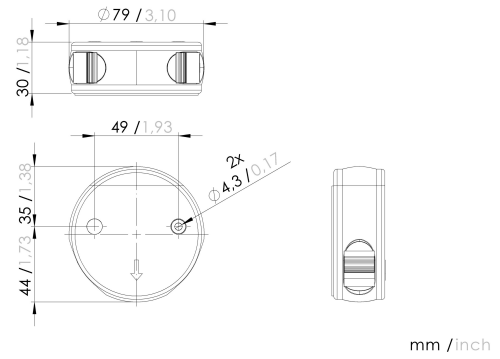
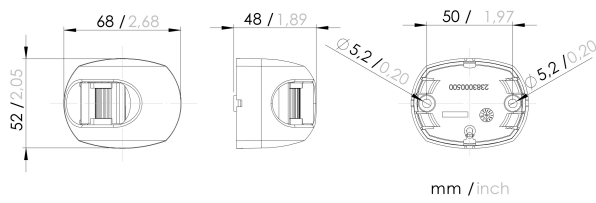
### Housing

Polycarbonate, seawater resistant, UV protected, non-corrosive, non-magnetic, impact and shock resistant.



Authorized Distributor:  
**Pacific Marine & Industrial**  
www.pacificmarine.net  
info@pacificmarine.net

## Illustrations



# Images

