

RLX D Floodlight



Description

RLX D Floodlight takes over the place of the traditional High Pressure Sodium and Halogen floodlights and are suitable for multiple areas of use. The RLX™ D is a powerful floodlight with proven endurance for harsh environments.

The light distribution is excellent and will ensure a bright and safe working environment. Available with various beams , from Spot 10 degrees to 110/45 degree Wide beam.

- Flicker Free
- Made to handle shocks and vibrations
- No maintenance
- Designed and produced in Scandinavia
- Compact, robust and sealed
- Excellent EMC characteristics
- Encapsulated internal electronics
- No ballast required
- Available for hazardous areas
- Corrosion class C5m

Technical specifications

Initial lumious flux

21.552

Light colour temperature

5000



Authorized Distributor:
Pacific Marine & Industrial
www.pacificmarine.net
info@pacificmarine.net

Color Rendering Index

min. 70

Beam angle

10 spot beam – 120 wide beam

Input voltage

100 - 277 VAC, 19 - 30 VDC

Power consumption

160W and 240W

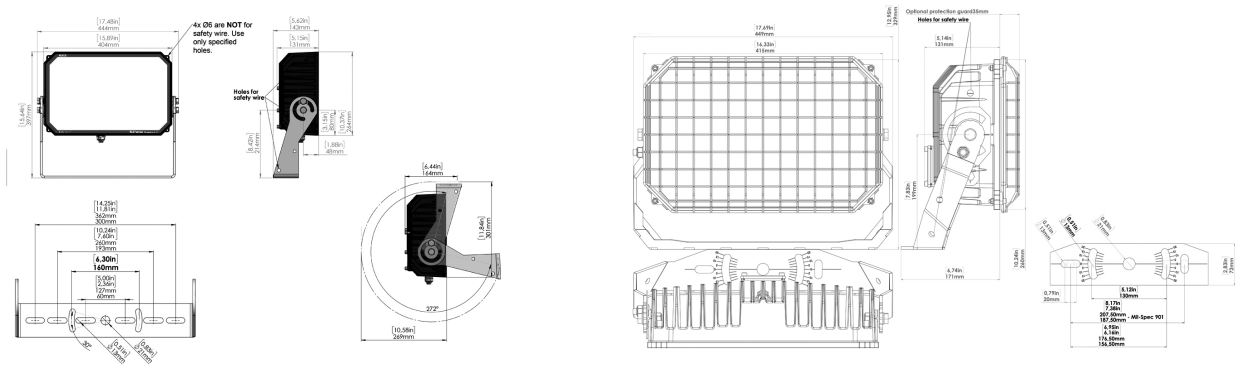
Ambient temperature (Ta)

- 40° C to + 55° C

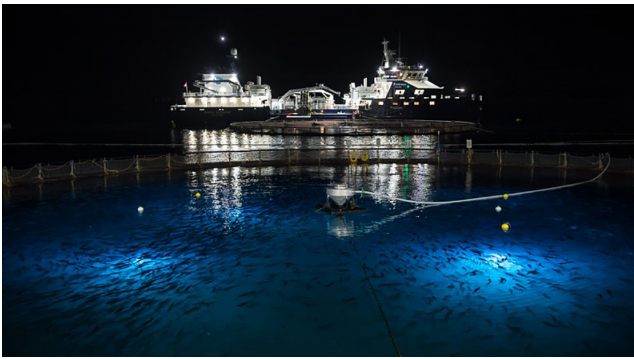
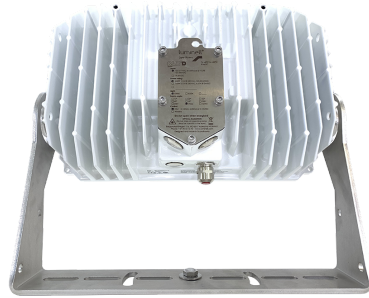
Ingress protection

IP 66/67

Illustrations



Images



Authorized Distributor:
Pacific Marine & Industrial
www.pacificmarine.net
info@pacificmarine.net



Authorized Distributor:
Pacific Marine & Industrial
www.pacificmarine.net
info@pacificmarine.net