



FX60 LED U

Ex de LED floodlight with CSA approval



Description

The Ex de LED floodlights are designed for a long lifetime and high efficiency without any maintenance. The Ex d module of the floodlight has no flame path and the connection box is Ex e approved.

LED gives instant light and the floodlight is immune against voltage drops. The special design of seawater resistant aluminium anodized module housing secures an excellent cooling. Mounting frame and bracket are made of stainless steel.

The floodlights are CSA certified.

Technical specifications

Application

Hazardous areas zone 1 and zone 2 Designed according to rules of maritime classification societies and CSA standards

Approvals

CSA approved, certificate no. 70111393

Ambient temperature (Ta)

Operation temperature from -50°C up to +55°C

Housing

Modules out of die-casting, seawater resistant aluminium, frame and bracket out of stainless steel AISI 316

Finish

Modules are anodized

Optic

The FX60 floodlight is available in wide, medium or narrow beam characteristic, with clear safety glass dome. The floodlight is available with 1 to 4 modules corresponding 4500lm to 18000lm system output in 5000k light colour.

Electrical specification

Integrated IC driver available in 120Vac or 230Vac or 254Vac 50/60Hz, low power consumption of 40W per module only. No inrush current due to the IC driver technology. The modules are connected in the external connection box and working independently.

Light Source

Array of LED with 4500lm output per module, with extreme long rated lifetime of 100.000 hours at ambient temperature of 45°C

Mounting

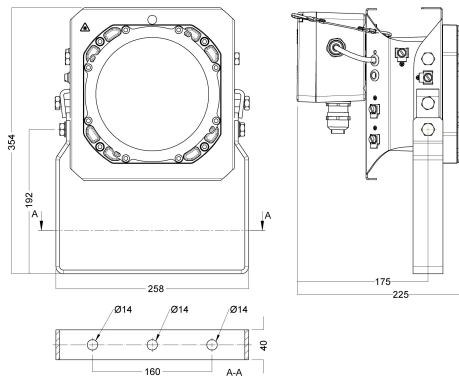
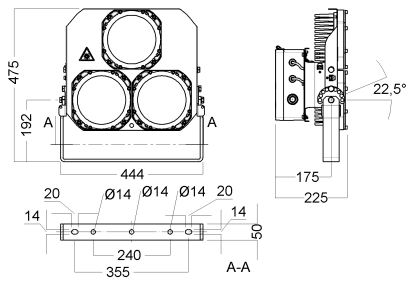
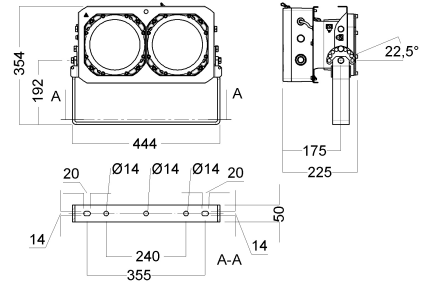
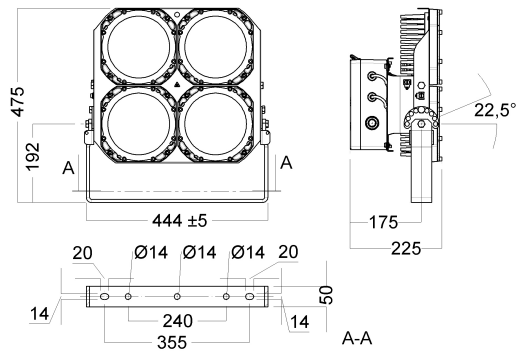
Adjustable bracket in stainless steel AISI 316 unpowdered 8×50mm as standard. Holeplates have position locks both sides for 2 to 4 module version as standard.

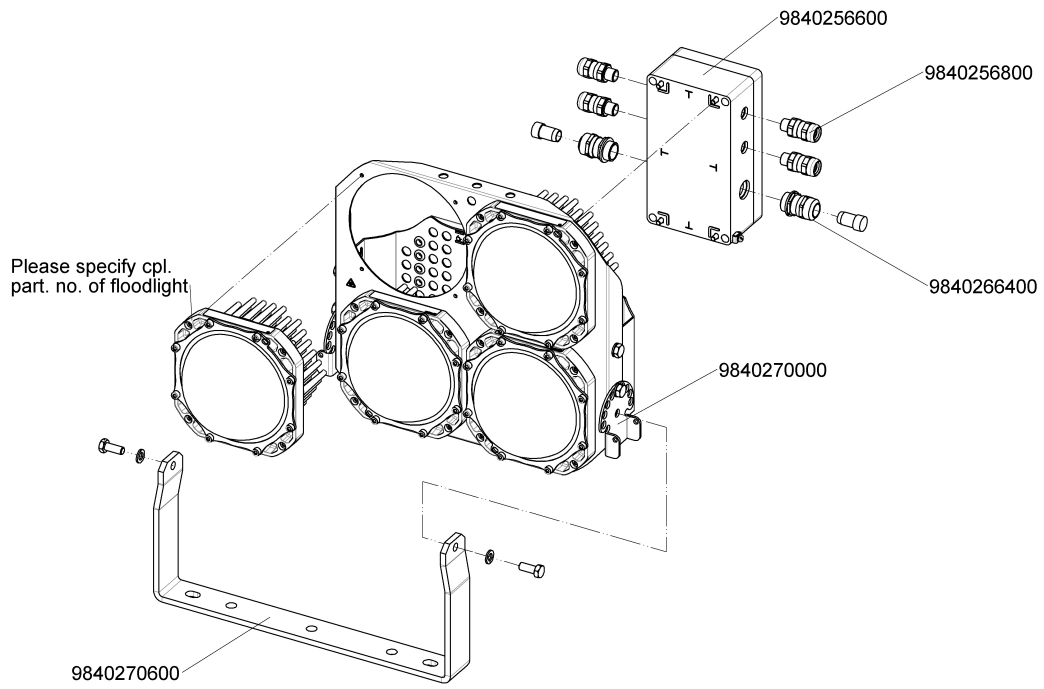
Connection

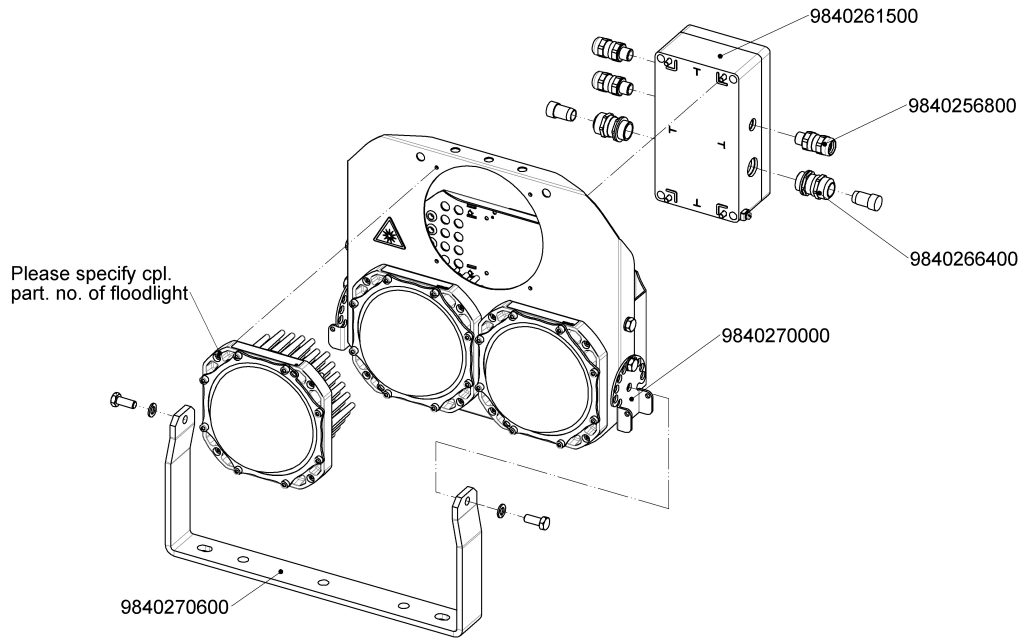
As standard for external connection the FX60 comes with 2 cable glands M25 Ex e brass nickel plated (others on request). The glands are for cable diameter from 10 to 17mm. Ex e external connection box at the back of the floodlight with terminals for cross section up to 6mm²



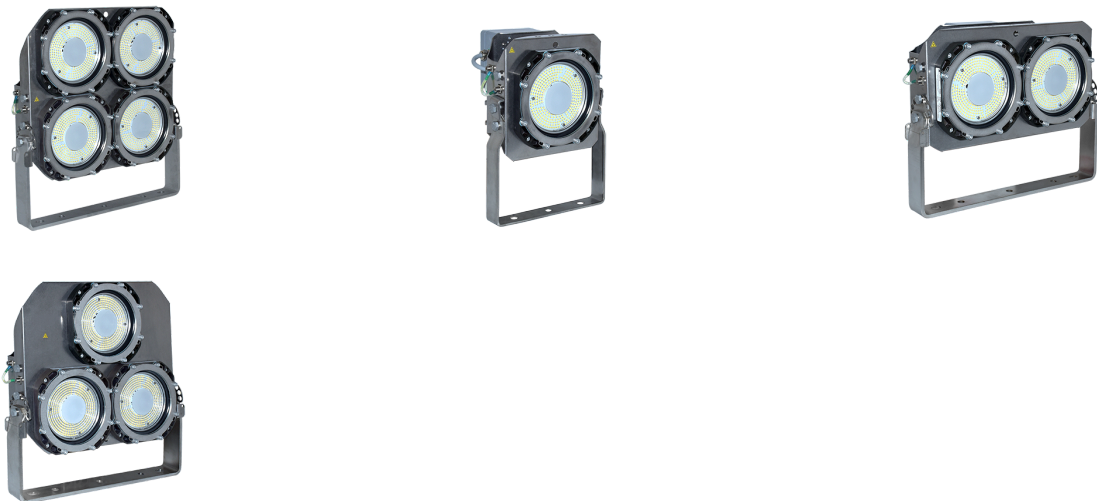
Illustrations







Images



Authorized Distributor:
Pacific Marine & Industrial
www.pacificmarine.net
info@pacificmarine.net