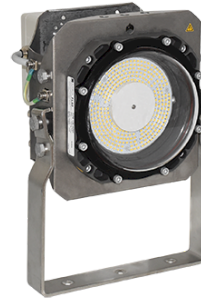


# FL60 LED

Floodlights with LED lightsource



## Description

The LED floodlights are designed for a long lifetime and high efficiency. The LED gives instant light and is immune against voltage drops. The special design of seawater resistant aluminium anodized module housing secures an excellent cooling. Mounting frame and bracket are made of stainless steel.

The floodlights are designed according to rules of maritime classification societies, additional VDE and IEC/EN.

## Technical specifications

### Housing

Seawater resistant aluminium anodized module housing, stainless steel frame and mounting bracket

### Lightsource/Optic

The included LED light source and driver are designed for an extreme long life time of 100.000 hours at an ambient temperature of 45°C with remaining 70% light output (L70). Floodlight is available in wide, medium or narrow beam characteristic, with clear polycarbonate front cover. Floodlights available with 1 to 4 Modules corresponding 4500 lumen to 18000 lumen (NB, MB, WB) in 5000K light colour.

### Electrical specification

New integrated driver technology, available in 120V or 230V 50/60Hz, power consumption of 40W per module, only. Modules connected in the external connection box. Two brass cable entries M24x1,5 as standard for through wiring. 3-pole terminal 6mm<sup>2</sup>.

### Mounting

Adjustable bracket stainless steel 316 unpowdered 5 x 40mm as standard, 8 x 50mm on request

### Connection

External connection box at the back with 2 Nickel plated brass cable glands M24 for cable diameter of 10mm to 14mm. Terminals for 6mm<sup>2</sup> external connection and through wiring.

### Finish

Anodised modules, special colours on request

### Ambient temperature (Ta)

Operation temperature from -45°C up to +55°C



Authorized Distributor:  
Pacific Marine & Industrial  
www.pacificmarine.net  
info@pacificmarine.net

**Design**

According to rules of maritime classification societies

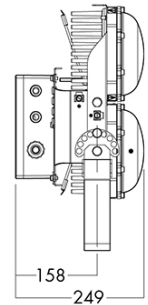
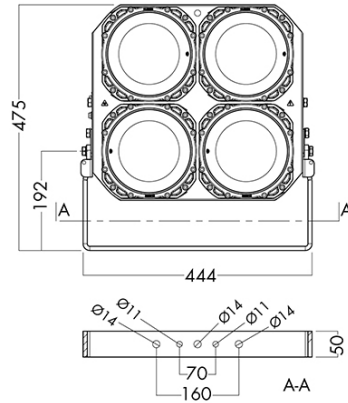
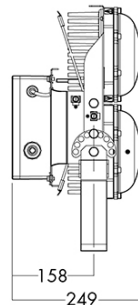
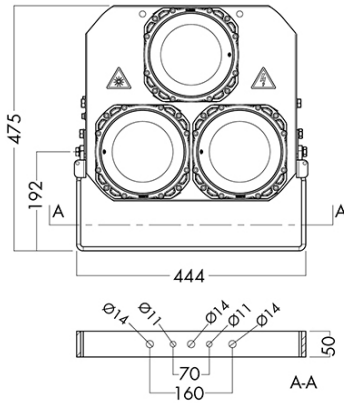
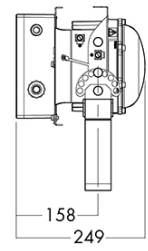
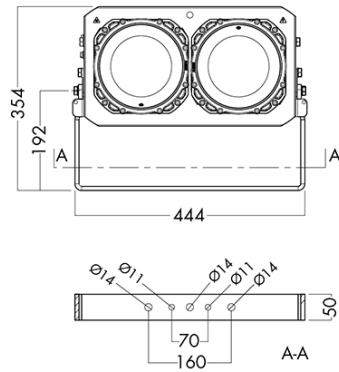
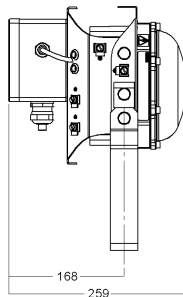
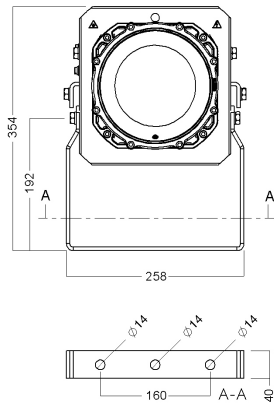
**Application**

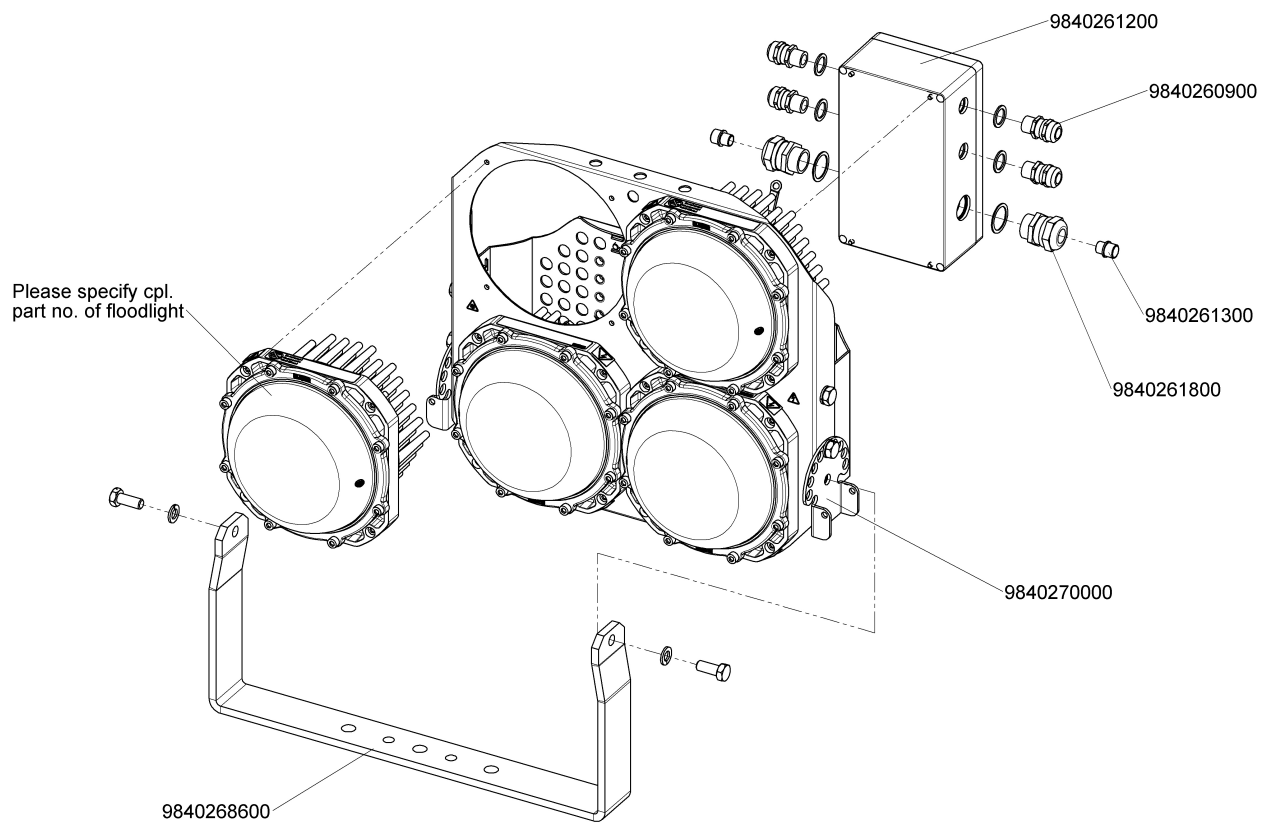
IP 66/67 floodlight for decks and hulls, industrial areas



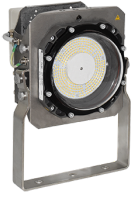
Authorized Distributor:  
**Pacific Marine & Industrial**  
[www.pacificmarine.net](http://www.pacificmarine.net)  
[info@pacificmarine.net](mailto:info@pacificmarine.net)

# Illustrations





## Images



Authorized Distributor:  
**Pacific Marine & Industrial**  
[www.pacificmarine.net](http://www.pacificmarine.net)  
[info@pacificmarine.net](mailto:info@pacificmarine.net)