



1776 - Zone 2 floodlight

Explosion proof floodlights Zone 2



Description

Ex n floodlights for high pressure sodium lamps or metal halide lamps are applicable for zone 2 areas. The floodlights are produced with deep drawn seamless steel housing and have a very high light output. No tools are required to open the housing.

The Floodlights are designed to meet maritime requirements.

Technical specifications

Application

Hazardous areas zone 2 Design: According to international rules for zone 2 and EN 50021:1999 / IEC 79-15, EN 60079-15:2005

Ambient temperature (Ta)

- 20° C up to + 55° C

Finish

Powder coated white RAL 9016 and enamelled up to 70 - 80 µm thickness.

Pane

Safety glass

Cable entry

Brass cable gland M 24 x 1.5 MGCG; standard for cable dia. 10 to 12.5 mm.

Housing

Housing made of stainless steel AISI316 deep drawn and powder coated white RAL 9016. Special colours available on request.

Lightsource/Optic

The floodlight is available for different light sources with E40 lamp holder: 1776 001-002: (Not included.) High pressure sodium lamps (HS) / metal halide lamps (HI). 1776 073-074: (not included) Halogen lamp 500W 1776 060-066: (Not included.) High pressure sodium lamps (HS) / metal halide lamps (HI) 1776 005-028: (Not included.) High pressure sodium lamps (HS) / metal halide lamps (HI) Aluminium reflector in Wide (WB) or Narrow beam (NB) covered by a safety glass pane gives a high light output.



Authorized Distributor:
Pacific Marine & Industrial
www.pacificmarine.net
info@pacificmarine.net

Electrical specification

1776 001-002 / 1776 073-074: Flexible wiring, silicone insulated, heat resistant up to 180° C, exterior connection box; terminal 3 - pole / 6 mm². 1776 060-066: Flexible wiring, silicone insulated, heat resistant up to 180° C, 2 exterior connection boxes with 1 ignition unit each; terminal 3 - pole / 6 mm². 1776 005-028: Flexible wiring, silicone insulated, heat resistant up to 180° C, exterior connection box with ignition unit, ballast incorporated; terminal 3 - pole / 6 mm².

Mounting

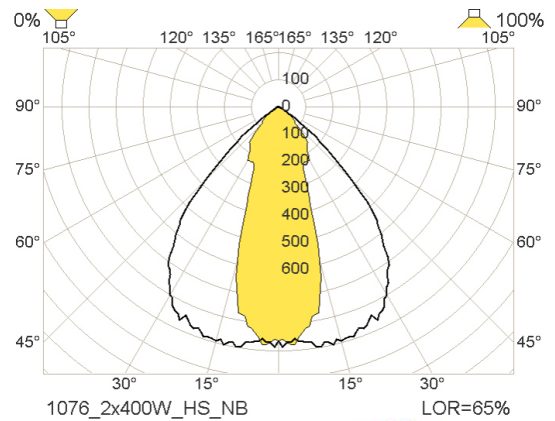
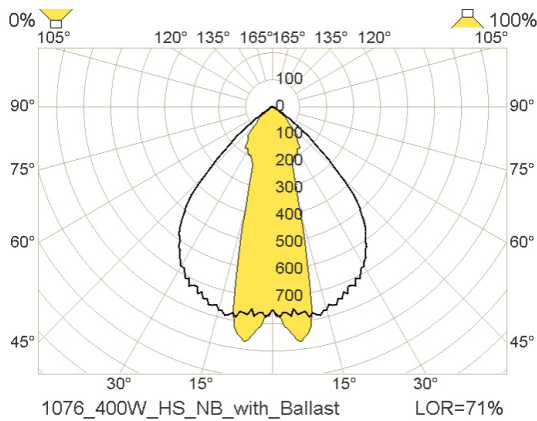
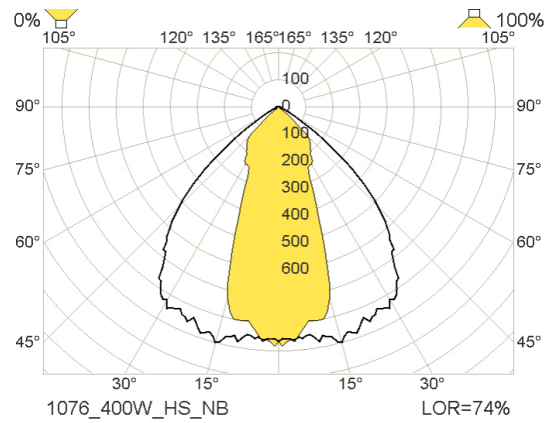
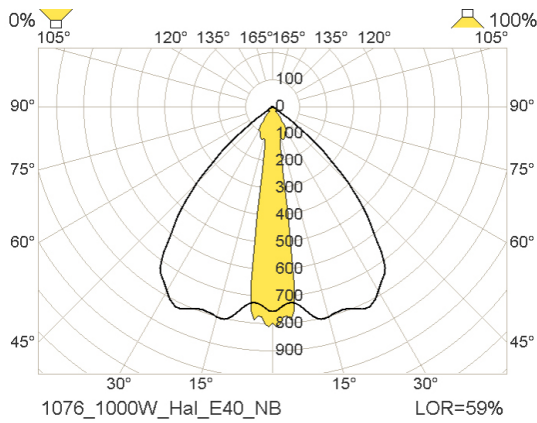
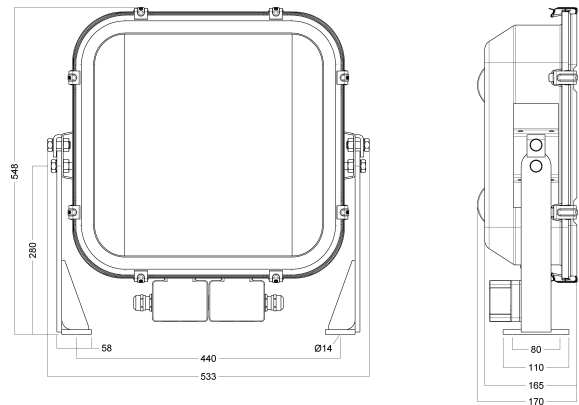
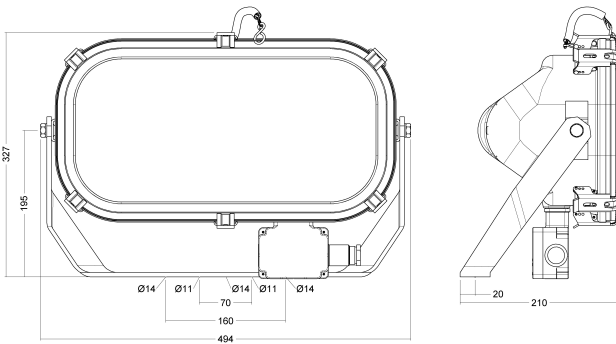
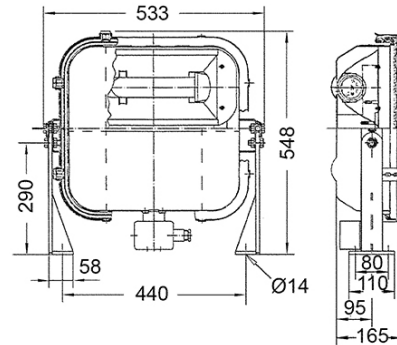
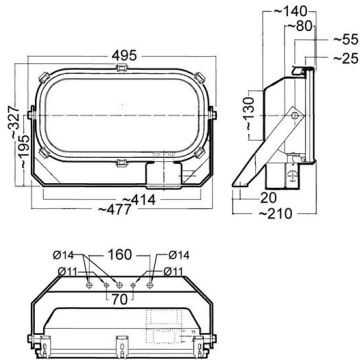
1776 001-002 / 1776 073-074: Adjustable bracket, stainless steel 316, unpainted with 5 holes, Ø 10.5 / 14 mm 1776 060-066 / 1776 005-028: 2 adjustable brackets, stainless steel 316, unpainted with 2 mounting holes each, Ø 14 mm

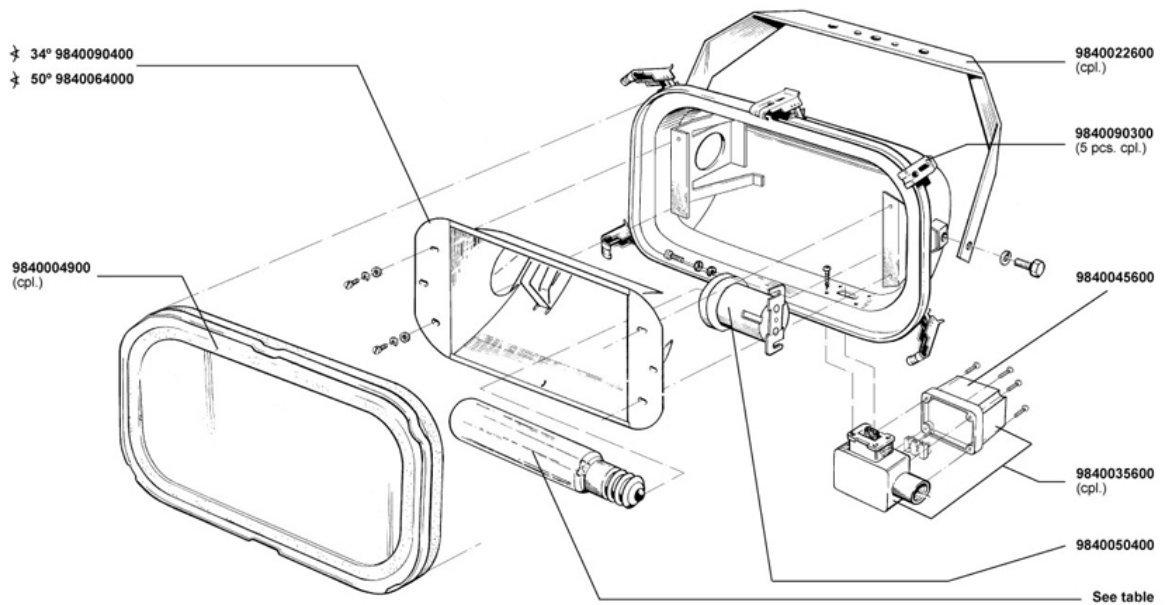
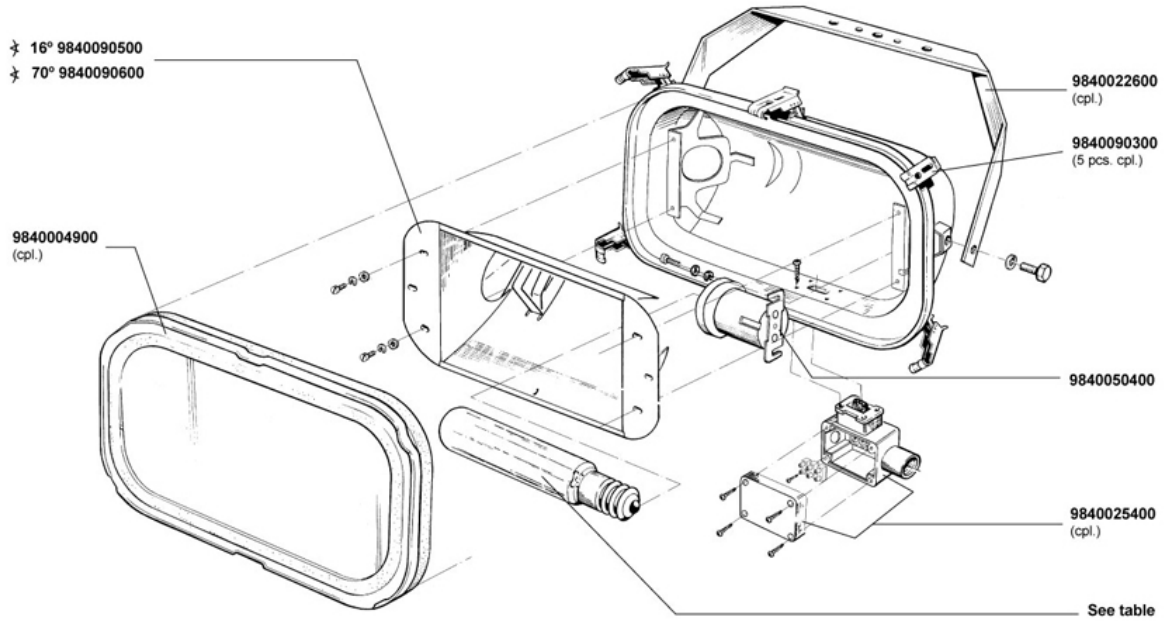
Remarks

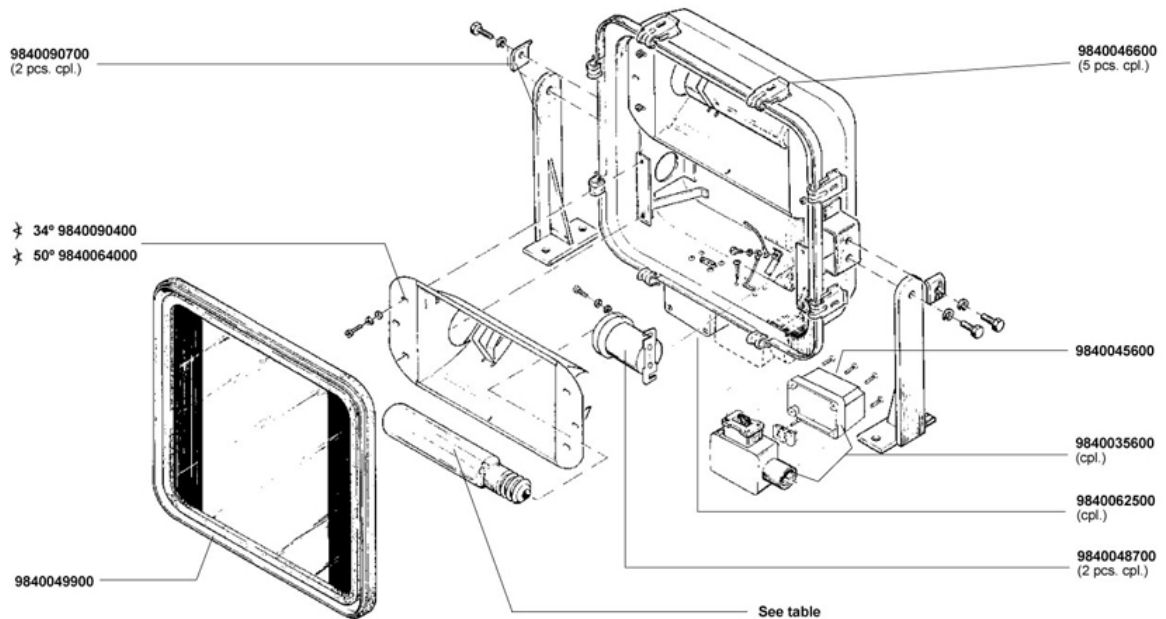
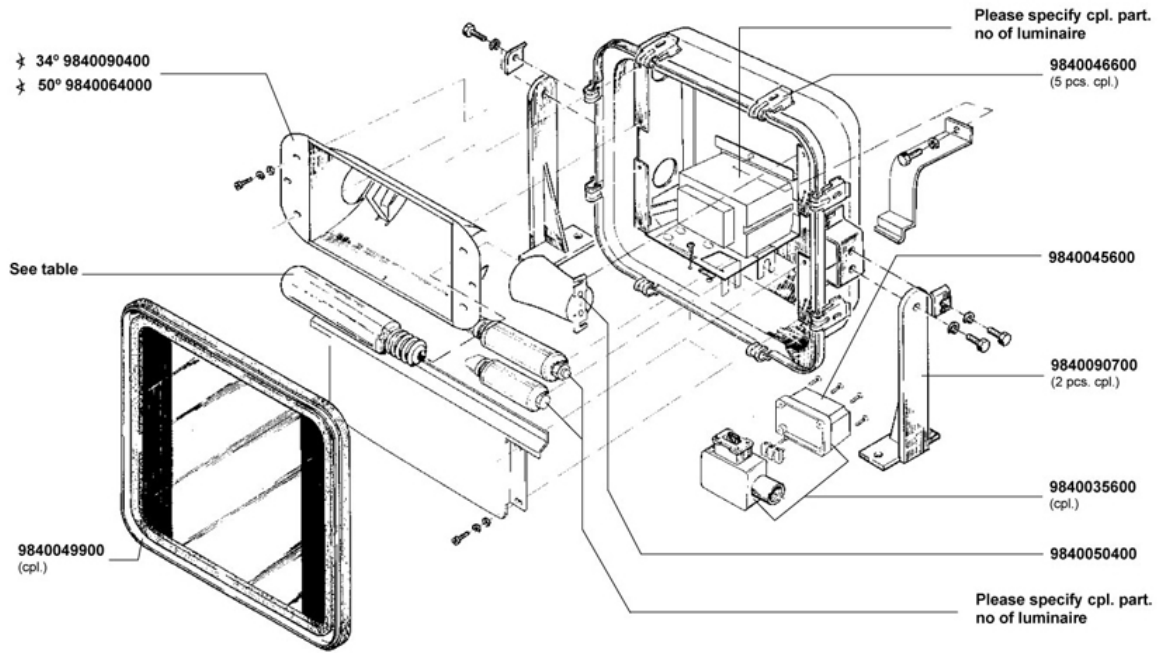
Ballast unit has to be ordered separately for floodlights without incorporated ballast. See type no 1527. Use lamps from well known manufactures only.



Illustrations







Authorized Distributor:
Pacific Marine & Industrial
www.pacificmarine.net
info@pacificmarine.net

Images



Authorized Distributor:
Pacific Marine & Industrial
www.pacificmarine.net
info@pacificmarine.net