



1527 - Ballast, Zone 2

Explosion proof ballasts



Description

Ballast unit for floodlight with High Pressure Sodium (HS) or Metal Halide (HI) lamps with seamless housing of deep drawn stainless steel. The ballast units are applicable for decks and holds, industrial areas and sport areas.

The ballasts are designed according to rules of maritime classification and satisfy international rules for zone 2 and EEC 79-15.

Technical specifications

Housing

Housing made of stainless steel AISI316 deep drawn and powder coated white RAL 9016 and enamelled up to 70 - 80 µm thickness.

Electrical specification

Flexible wiring, heat resistant up to 105° C; terminal 5 – pole / 10 mm²

Mounting

2 welded brackets in stainless steel AISI316 with 2 mounting holes each, ø 10.5 mm

Remarks

For hazardous areas zone 2. Floodlights have to be ordered separately.

Design

According to international rules for zone 2 and EN 50021:1999/IEC 79-15, EN 60079-15:2005

Approval authority

Physikalisch-Technische Bundesanstalt Braunschweig, cert. no. PTB 03 ATEX 2247X

Ambient temperature (Ta)

- 20° C up to + 55° C

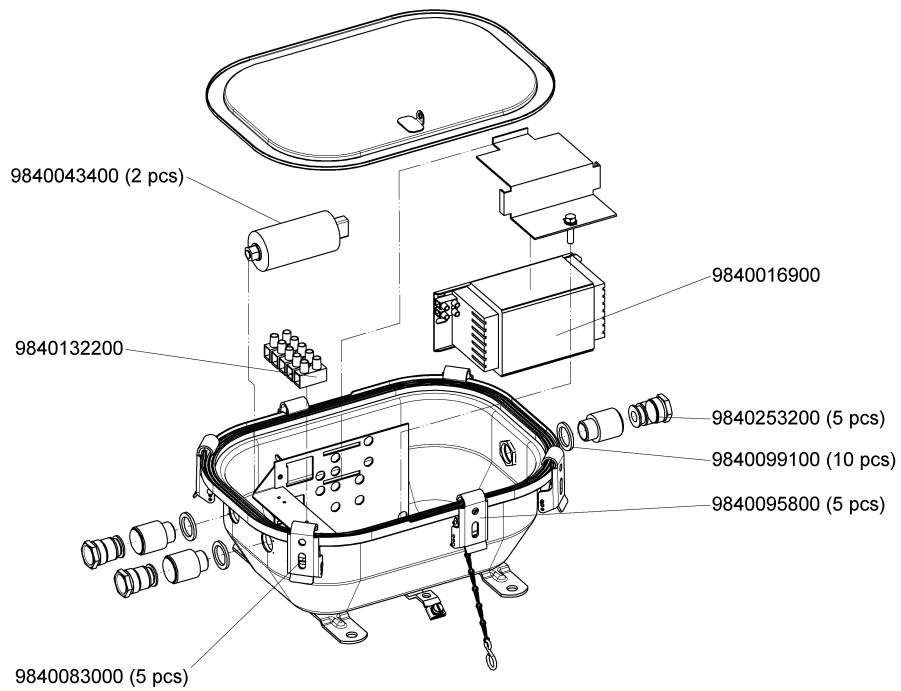
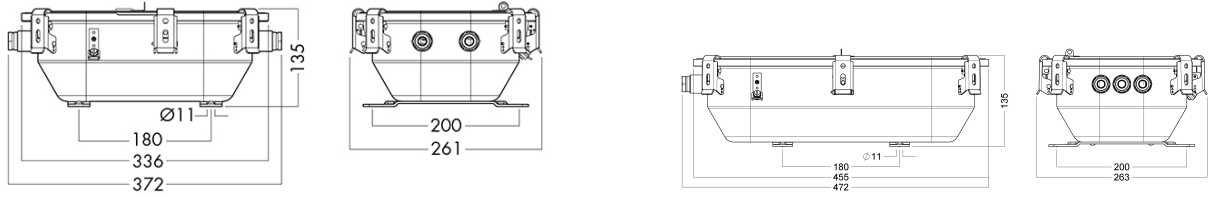
Cable entry

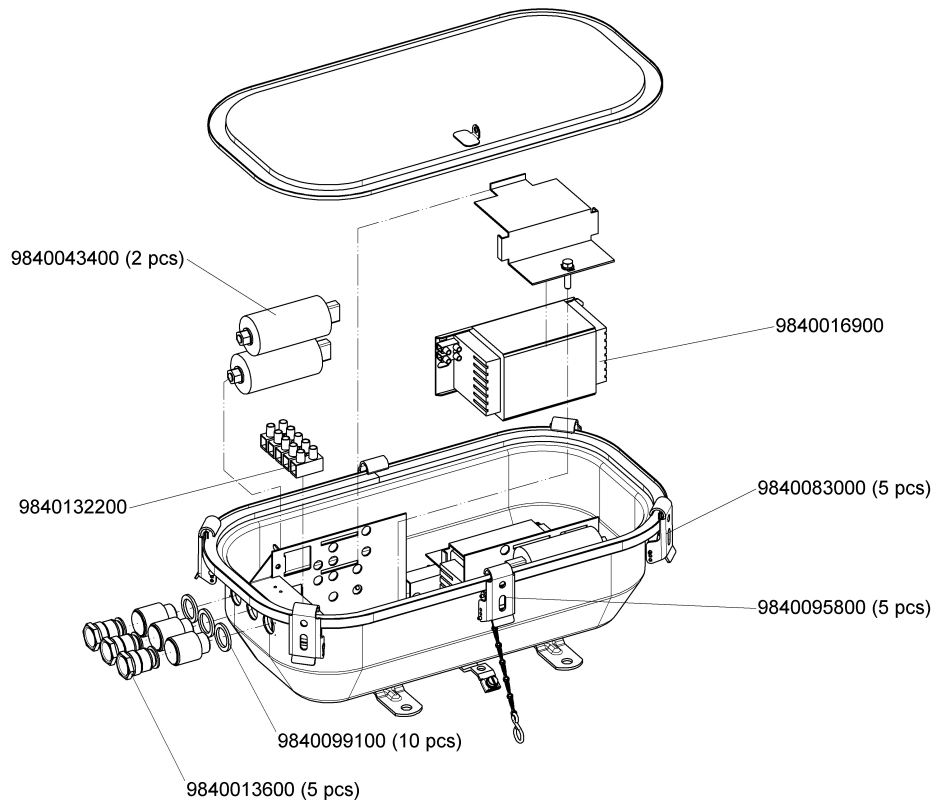
2 or 3 brass cable entry M24 x 1,5 for shielded cable with a diameter from 10 to 12,5 mm is our standard for this series. The housing is prepared for M20 glands. Ballast boxes for 1 or 2 floodlights.



Authorized Distributor:
Pacific Marine & Industrial
www.pacificmarine.net
info@pacificmarine.net

Illustrations





Images

