



# 1076 HI | HS

Floodlight for metal halide (HI) or high pressure sodium (HS) lamps



## Description

Floodlights for metal halide (HI) or high pressure sodium (HS) with seamless housing of deep drawn stainless steel ASIS 316. The housing is powder coated white and enamelled up to 70-80 µm thickness. The floodlights provide extreme corrosion resistance and high light output. No tools are required to open the housing. Ballast unit to be ordered separately for floodlights without ballast included.

Floodlights are designed according to rules of maritime classification societies, additional VDE and IEC/EN and are applicable for decks, rescue areas, holds, ramps, industrial and sport areas.

## Technical specifications

### Application

Applicable for decks and holds, industrial areas and sport areas.

### Design

According to rules of maritime classification societies, additional IEC/EN.

### Mounting

2 brass cable glands M24 x 1.5 MGCG; standard for cable dia. 10 to 12.5 mm

### Housing

Seamless housing of deep drawn stainless steel. Bracket and housing stainless steel. The housing is powder coated white and enamelled up to 70-80µm thickness.

### Connection

1076 007/009 connection boxes with one brass cable gland M24 x 1.5 MGCG for cable diameter of 10 mm to 12.5 mm each. Terminals for 6 mm<sup>2</sup> external connection.

### Optic

1076 007/009 Floodlight is available in narrow or wide beam characteristic, with clear safety glass front cover and with highly polished aluminium reflector.



**Electrical specification**

1076 007/009 Flexible wiring, silicone insulated, heat resistant up to 180°C; two external connection boxes with one ignition unit each, terminal 3-pole / 6 mm<sup>2</sup>. Ballast type 1507 has to be ordered separately. 1076 008 / 010-011 / 081-082 External connection box with brass cable gland M24 x 1.5 MGCG for cable diameter of 10 mm to 12.5 mm including the igniter. Terminals for 6 mm<sup>2</sup> external connection. 1076 015-044 / 075-080 / 152 External connection box with brass cable gland M24 x 1.5 MGCG for cable diameter of 10 mm to 12.5 mm including the igniter. Terminals for 6 mm<sup>2</sup> external connection. Ballast integrated in housing of the floodlight.

**Ambient temperature (Ta)**

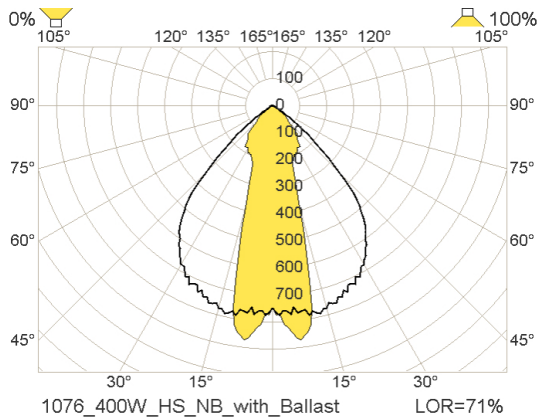
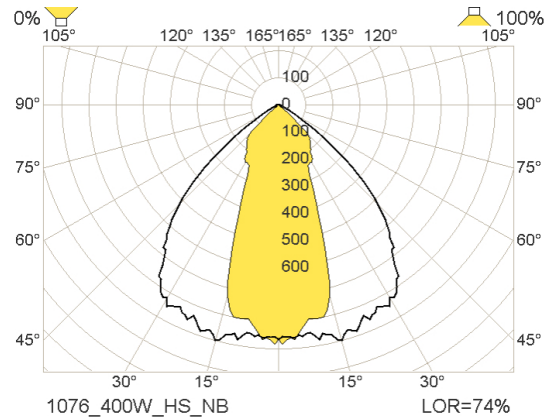
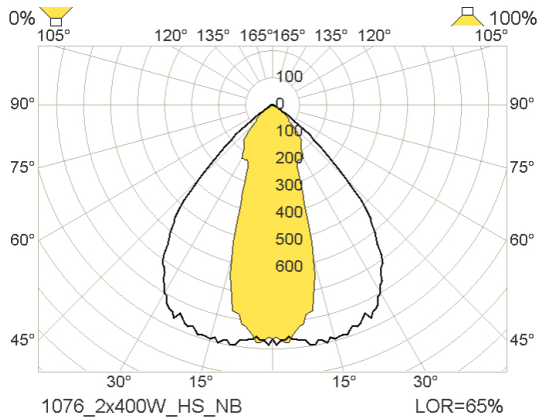
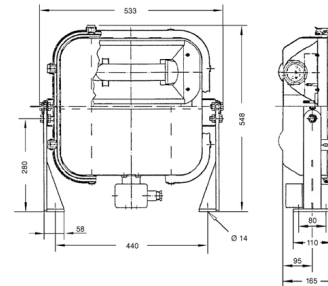
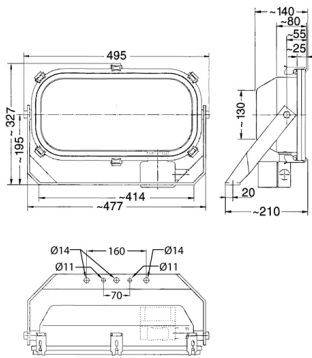
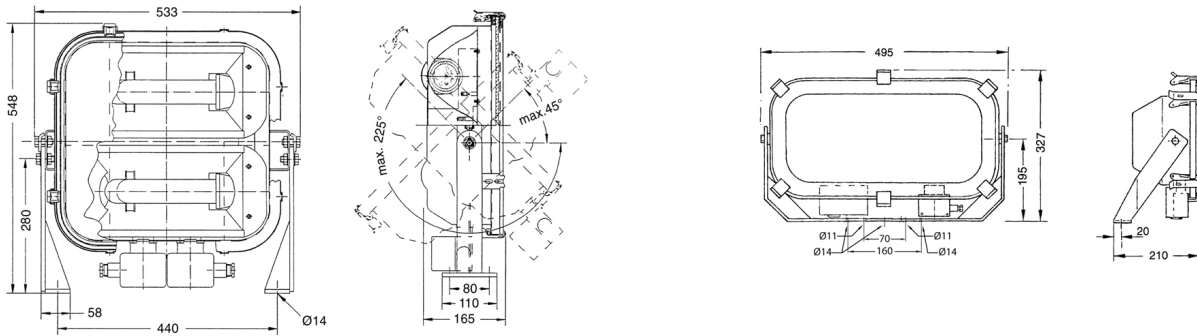
Operation temperature from -20°C p to +45°C. Special versions for -50°C available.

**Light Source**

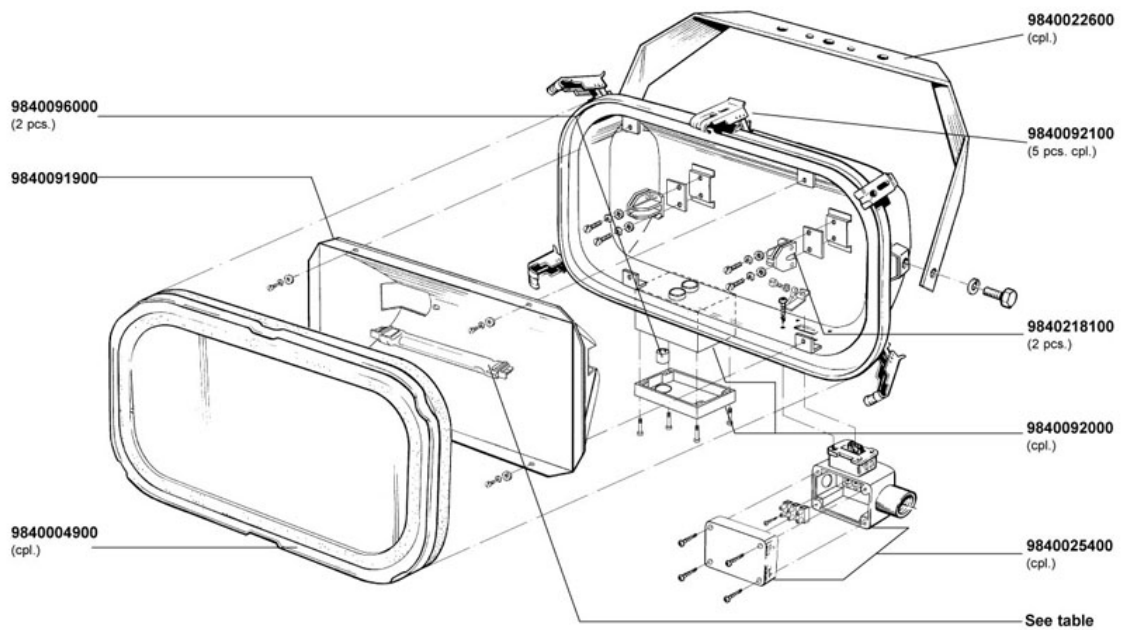
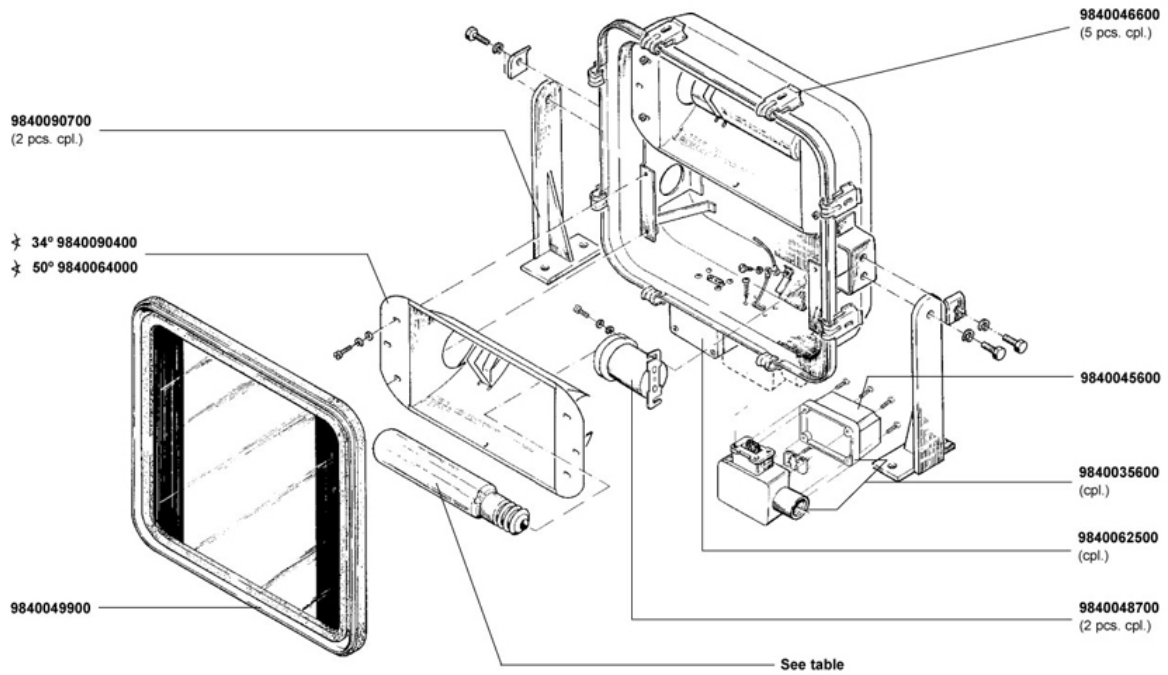
1076 007/009 HIT/HST 2 x 400W(not included). Lamp base E40. 1076 008 /010-011 / 015-044 HIT/HST max 400 W 1076 081-082 HIT/HST 1000 W 1076 075-080 HST 70W 1076 152 HST 600W

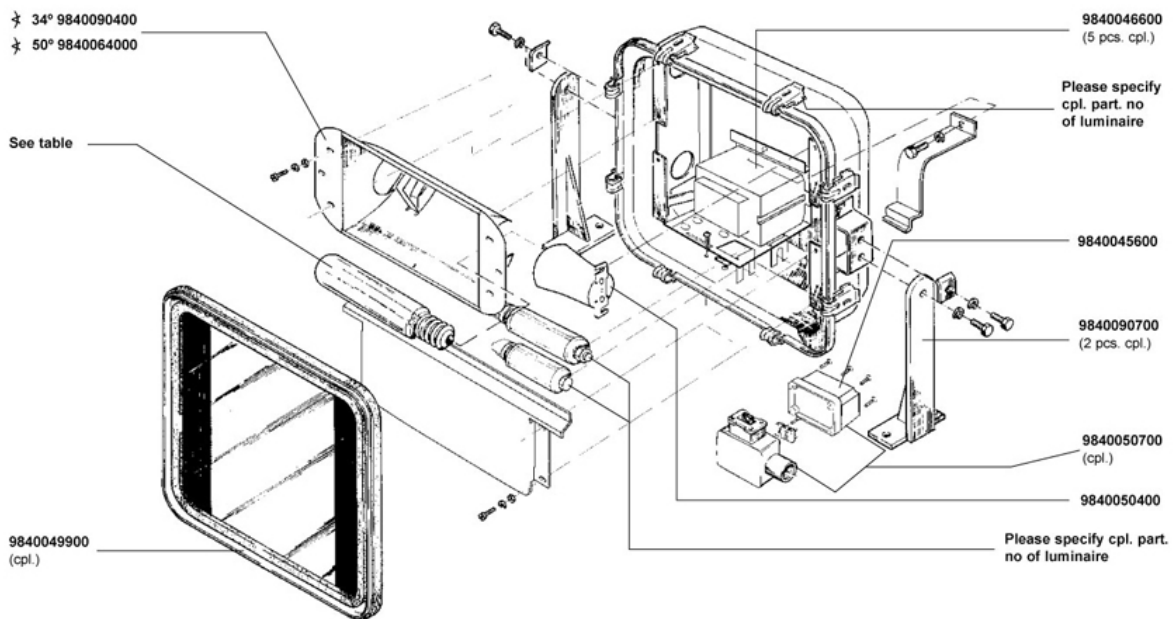
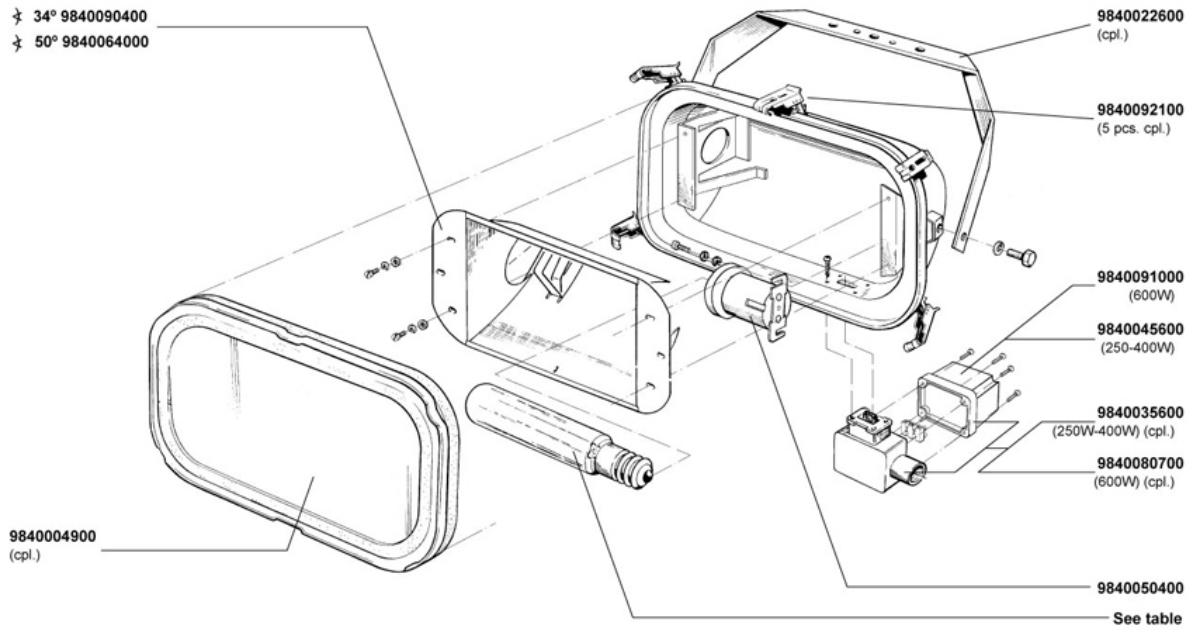


# Illustrations



Authorized Distributor:  
**Pacific Marine & Industrial**  
[www.pacificmarine.net](http://www.pacificmarine.net)  
[info@pacificmarine.net](mailto:info@pacificmarine.net)





Images

