



1076 Halogen

Floodlight for halogen lamps



Description

Floodlights for halogen with seamless housing of deep drawn stainless steel ASIS 316. The housing is powder coated white and enamelled up to 70-80 µm thickness. The floodlights provide extreme corrosion resistance and high light output. No tools are required to open the housing.

Halogen floodlights give instant light without warm up or cool down time with good colour rendering. They are designed according to rules of maritime classification societies, additional VDE and IEC/EN and are applicable for commercial shipping, industrial areas, yachts and fishing vessels.

Technical specifications

Design

According to rules of maritime classification societies, additional IEC/EN.

Application

Applicable for commercial shipping, industrial areas, yachts and fishing vessels.

Ambient temperature (Ta)

Operation temperature from -40°C p to +45°C.

Connection

1076 007/0092 connection boxes with one brass cable gland M24 x 1.5 MGCG for cable diameter of 10 mm to 12.5 mm each. Terminals for 6 mm² external connection.

Mounting

2 brass cable glands M24 x 1.5 MGCG; standard for cable dia. 10 to 12.5 mm

Light Source

1076 001 QT-DE max 500W 1076 060 QT-DE max 200W 1076 090-091 QT-DE max 1000W
1076092-093 QT max 1000W

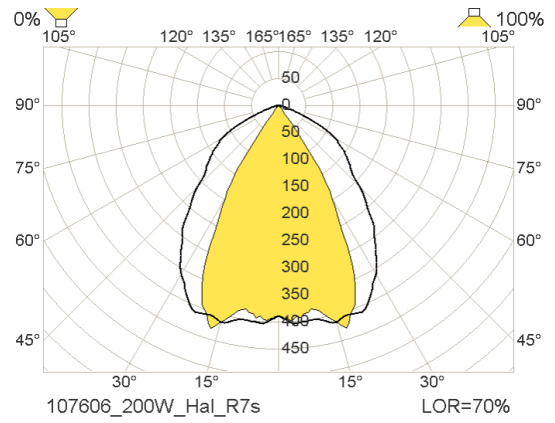
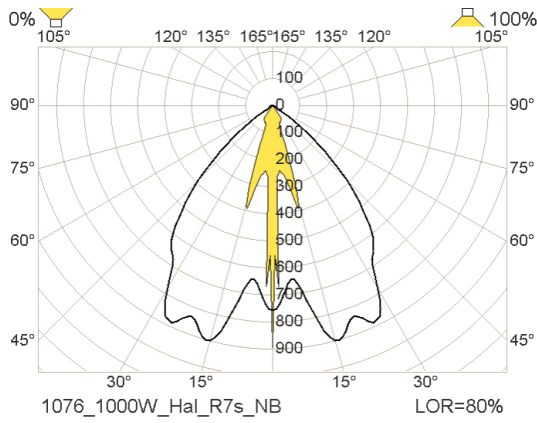
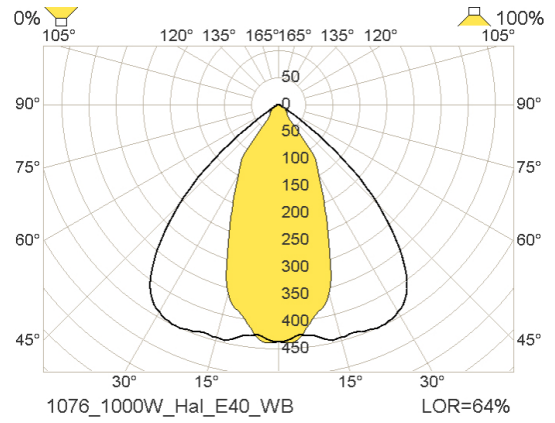
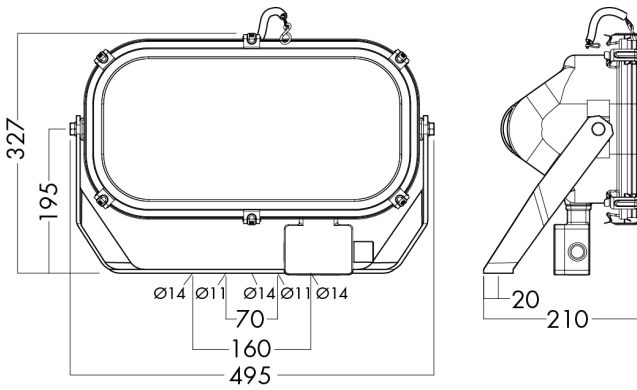
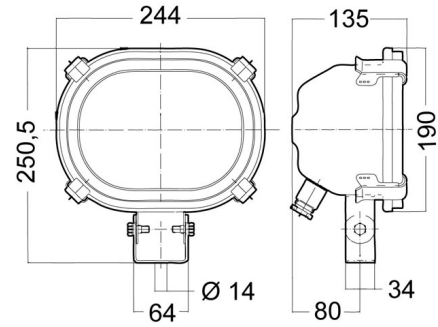
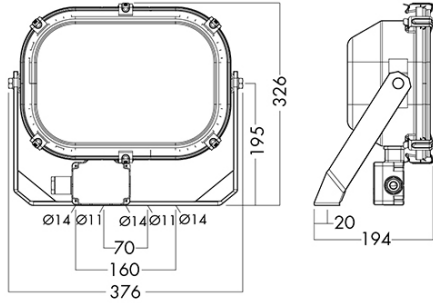
Housing

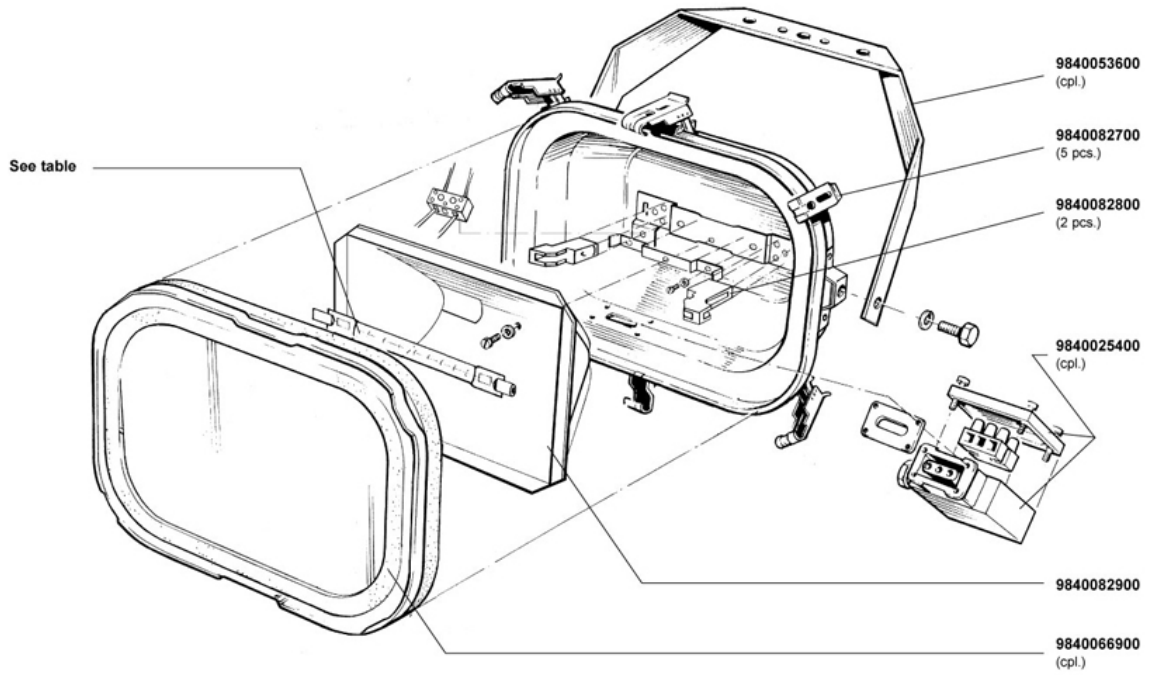
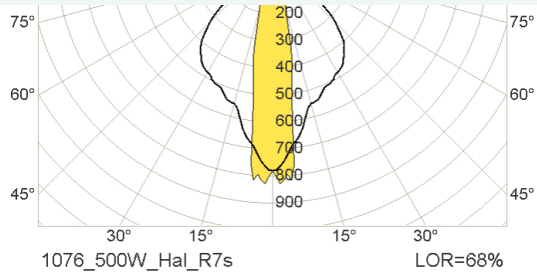
Seamless housing of deep drawn stainless steel. Bracket and housing stainless steel. The housing is powder coated white and enamelled up to 70-80µm thickness.

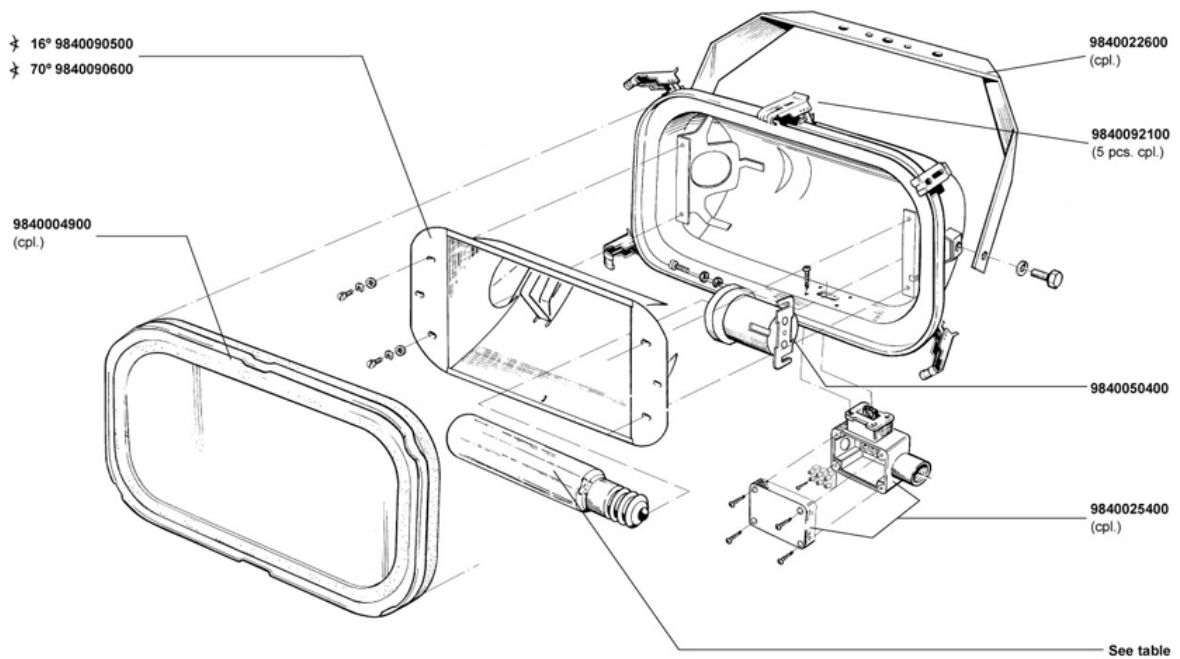
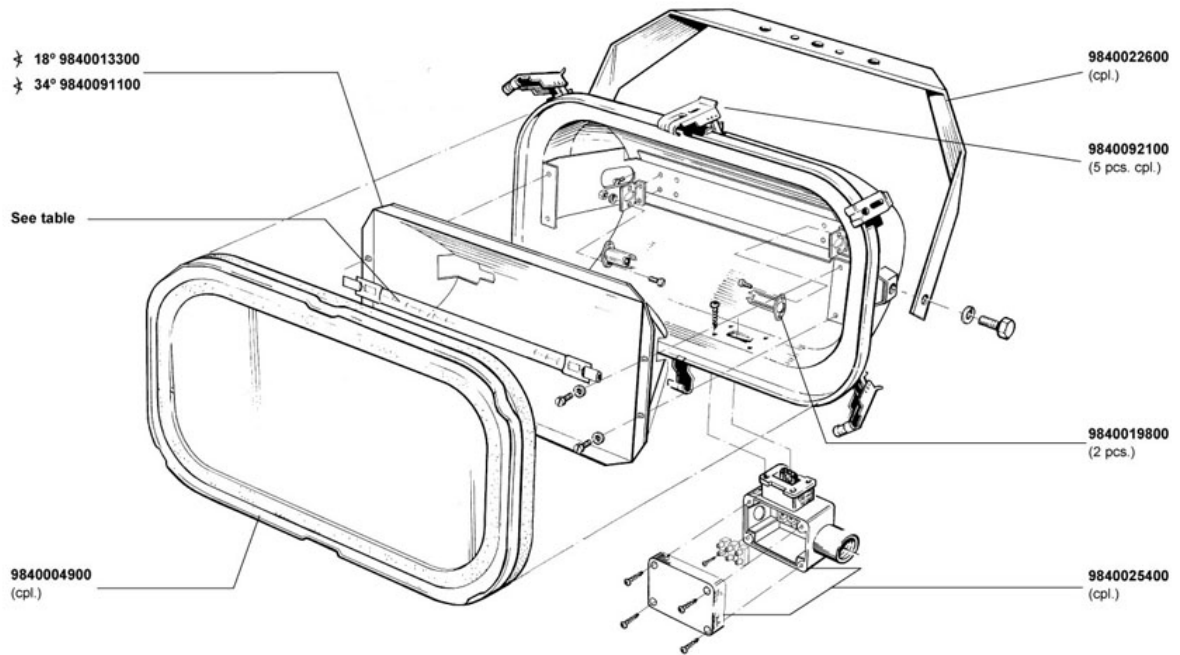


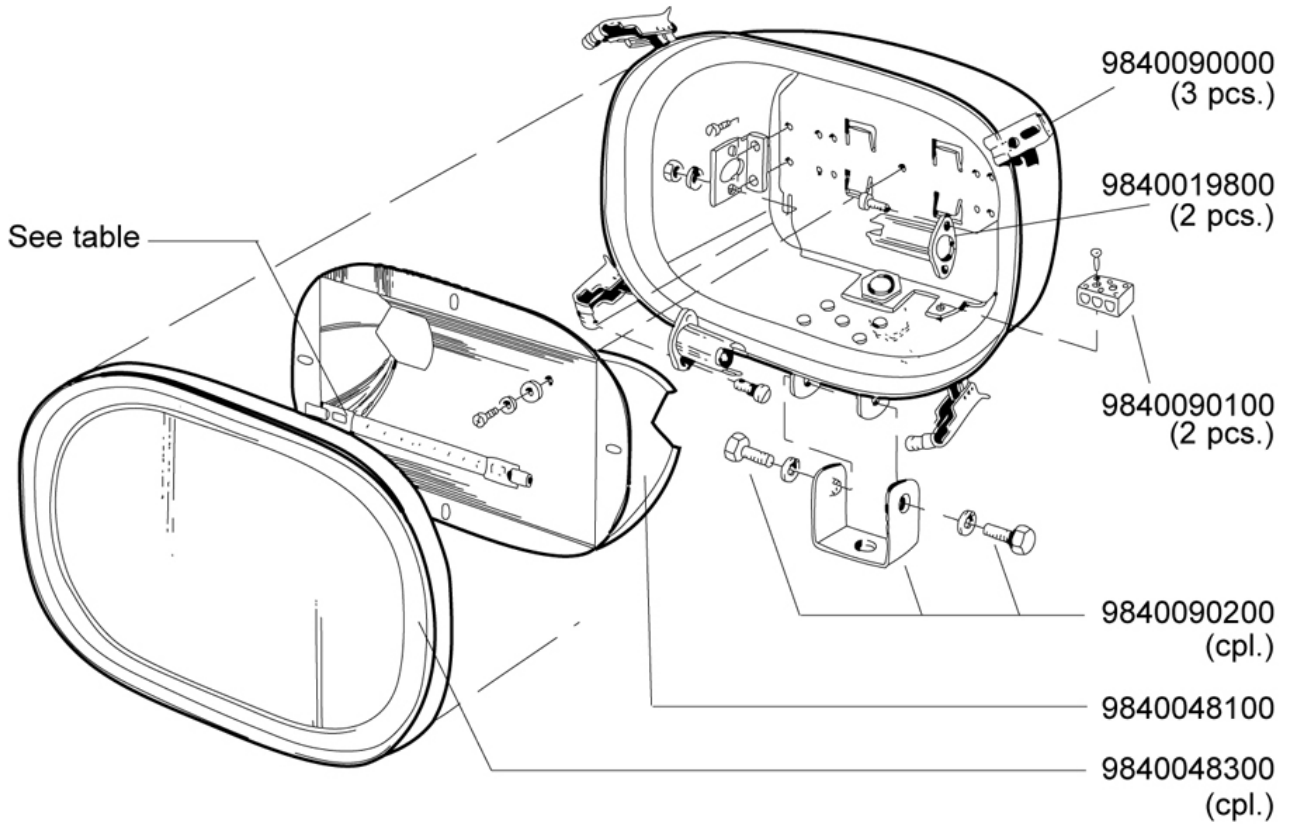
Authorized Distributor:
Pacific Marine & Industrial
www.pacificmarine.net
info@pacificmarine.net

Illustrations









Images



Authorized Distributor:
Pacific Marine & Industrial
www.pacificmarine.net
info@pacificmarine.net