

AL60-SC160

Surface mounted light for accommodation areas



Description

AL60/61 is a robust designed family of luminaires with an elegant expression – specially designed for LED. The family consists of berth light, mirror light, circular ceiling light, two indoor square lights and two outdoor square lights. The luminaires fit in applications like cabins, corridors, lounges and entrance areas. The AL60/61 family is designed for marine demands. Glamox states quality in design and gives the product 5 years warranty.

Glamox AL60-SC160 is a small surface mounted cabin and corridor light. The building height only 25 mm when installing it in the ceiling. The AL60-SC comes with with several decors. It is available in B0 fire protection design IP65 and IK10 (impact class) give flexibility in usage. Due to the LED technology the light is energy saving and offers a long lifetime. The compact design enables an easy installation. This product is for indoor use only.

Technical specifications

Electrical specification

With integrated HF driver that also can be phase cut dimmed. Can be dimmed with the dimmers type GIRA 306 and GIRA 2262.

Design

According to marine requirements. It is available in B0 fire protection design.

Application

For crew and public areas as cabins, corridors, stair cases, lounges and shopping areas.

Housing

The housing is made in solid die-cast aluminium IP65 and painted in polyester powder paint in the colours grey (RAL 9006), White (RAL 9016) and Black (RAL 9005). Decor rings are in black, white, grey, chrome and cobber. Decor rings are fixed by magnets. The diffuser is in impact resistant opal polycarbonate (PC). The dimensions are 160 mm diameter and 25 mm high. Décor explanation: Ensto NAC (QCE) Wago Midi (QCA) C1 = 1M Cable GR/ = Grey body WH/ = White body BL/ = Black body /BL = Black decor /WH = White decor /CH = Chrome decor /CO = Cobber decor /GR = Grey décor /WO DECOR = without décor, ring has to be ordered separately. Please see accessories.

Mounting

Surface or wall mounting, fixed with 3 screws. To be delivered with cable with quick connector Ensto NAC (QCE), or with connector Wago Midi (QCA). Option with 1 meter C1.

Driver

The output is fixed (HF)

Connection

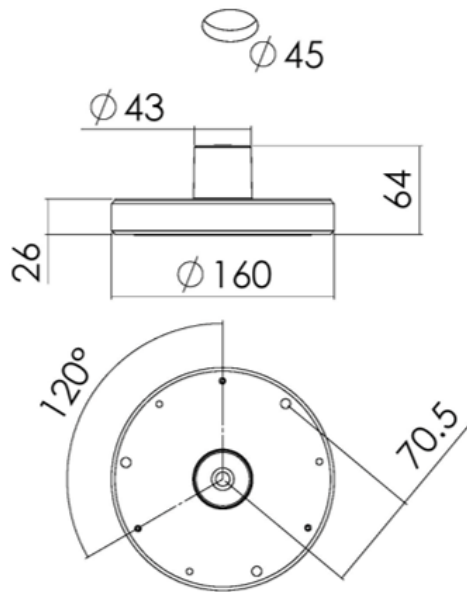
Connection possibilities with Ensto, Wago quick connector or 1 meter cable.

Light Source

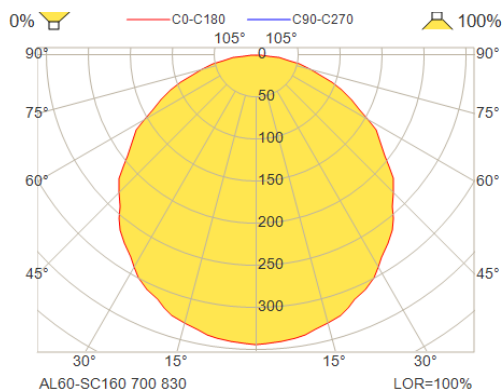
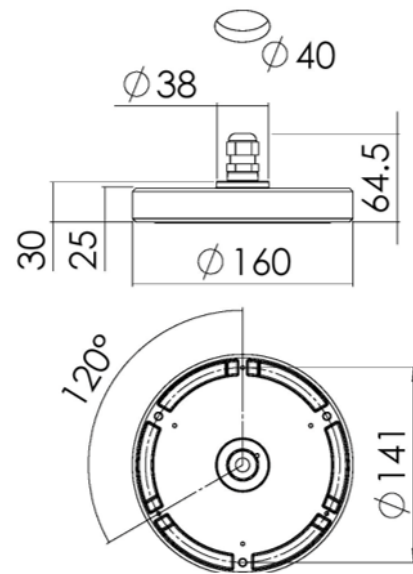
Colour tolerances: MacAdams 3 Colour rendering: CRI > 8 Lifetime: Minimum 50 000 hour, L70 at max Ta= 40°C LED 700 lumen out

Illustrations

AL60-SC160 B0



AL60-SC160





Images

