

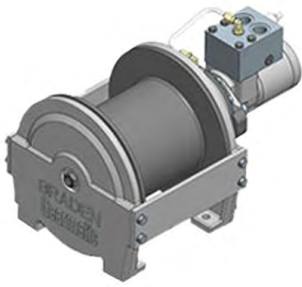


# PACIFIC MARINE & INDUSTRIAL

## MANUFACTURING ♦ DISTRIBUTION ♦ SERVICE

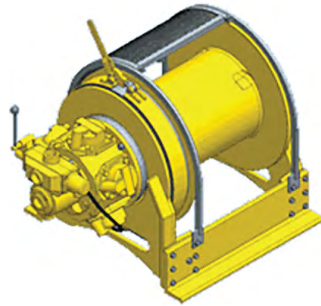
### WINCH - HOIST - CRANE - CAPSTAN

### GENERAL CATALOG



#### HYDRAULIC

Up to 160,000 lbs Line Pull  
Planetary and Worm Gear



#### PNEUMATIC

Up to 22,000 Lbs. Capacity and Larger



#### ELECTRIC

Up to 90 Tons Line Pull  
Any Power Supply



#### HAND

Up to 15 Tons



#### RIGHT ANGLE

Up to 20 Tons Pull and Greater  
Speed as desired



#### ABOVE OR THRU DECK

Up to 20 Tons Pull and Greater  
Speed as Desired



#### BARGE

One control panel for 2 or more  
winches



#### PORTABLE WINCH

110 volts or 115 volts  
50 Hz or 60 Hz



#### LIGHT INDUSTRIAL

650 to 20,000 lbs. line pull



#### ANCHOR WINDLASS

Electric or Hydraulic



#### TOWING

Line Pull to 500,000 lbs.



#### QUICK RELEASE HOOKS

With Integrated Capstan



Quality Pacific Manufacturing, Inc., P.O. Box 70520 Richmond, CA USA 94807



510-233-2310



www.pacificmarine.net



info@pacificmarine.net

Copyright © Quality Pacific Manufacturing, Inc.



**MOORING**

Electric or Hydraulic



**CHAIN HOIST**

1/8 to 5 Tons Hoist Capacity



**CRANES**

Engineered for each Project



**DAVIT**

Electric, Pneumatic, Hydraulic  
or Manual Operated



**PORTABLE CAPSTAN**

Up to 1,600 lbs. line pull

