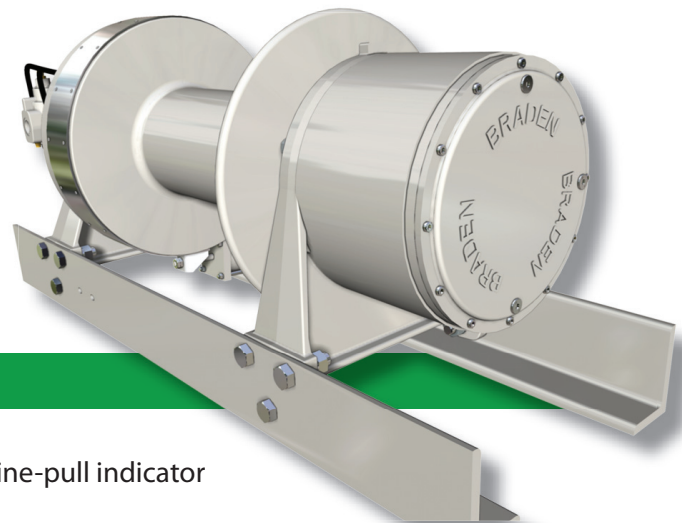
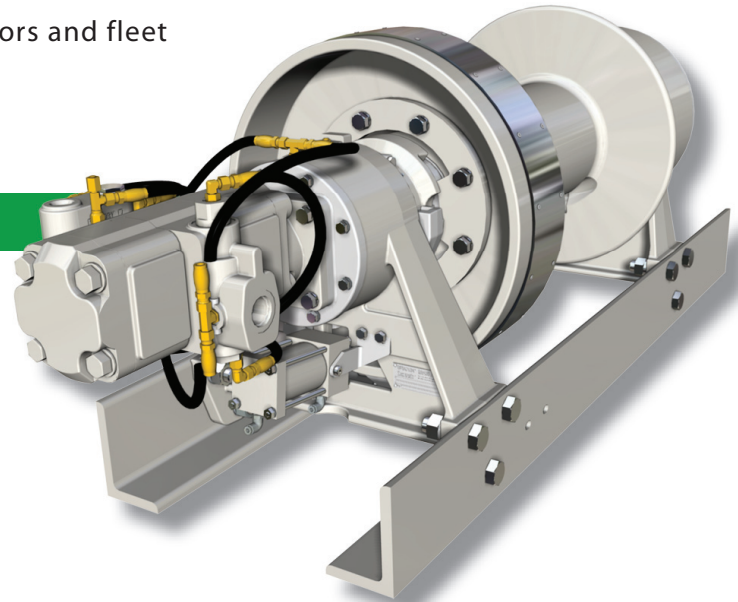


The BRADEN HP80 is ready to conquer the challenges of the oilfield. This compact and powerful recovery winch delivers best-in-class line-pull and robust performance in the toughest applications. Precise load control and ease of service make the BRADEN HP80 the top choice for operators and fleet owners alike.

Features/Benefits

- Sealed three-stage high-efficiency planetary reduction gearing provides continuous duty performance for long pulls
- Negative-draft jaw clutch ensures full engagement under load
- Patented BRADEN brake valve enables smooth operation and precise load control
- Ferrule anchor system facilitates rope installation and removal
- Easy-to-access lubrication points allow servicing with wire rope in place
- SAE J706 compliance-tested to ensure safe and secure operation



Options

- Electronic load monitor for lighted visual line-pull indicator and audible overload warning
- Clutch engagement indicator provides load status without need for direct line-of-sight to winch
- Piston motor with SAE "D" mounting configuration



Authorized Distributor:
Pacific Marine & Industrial
www.pacificmarine.net
info@pacificmarine.net

HP80A PLANETARY WINCH

80,000 lb (36,300 kg)

BRADEN®

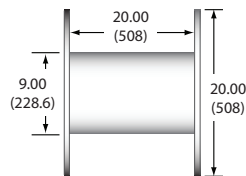
Performance

HP80A-123089/045-01

RATIO		123:1		123:1				
MOTOR	Low: 089 (8.92 cu in.)	Hi: 045 (12.75 cu in.)	Low: 089 (146.2 cc)	Hi: 045 (208.9 cc)				
PRESSURE	2,666 psi		184 bar					
FLOW	60 gpm		227.1 lpm					
WIRE ROPE DIA	1.0 in.		25.4 mm					
LAYER	LINE PULL (lb)	LINE SPEED (fpm)	LINE PULL (lb)	LINE SPEED (fpm)	LINE PULL (kg)	LINE SPEED (mpm)	LINE PULL (kg)	LINE SPEED (mpm)
1	80,000	27	38,260	60	36,285	8	17,350	18
2	66,660	32	31,880	72	30,235	10	14,460	22
3	57,140	38	27,330	84	25,920	12	12,400	26
4	50,000	43	23,910	96	22,680	13	10,845	29
5	44,440	49	21,260	108	20,160	15	9,645	33
WEIGHT	1,470 lb		666.7 kg					

Drum Capacity

-01 DRUM



DIMENSIONS IN INCHES (MM)

WIRE ROPE STORAGE, ft

WIRE ROPE DIA	LAYER	1	2	3	4	5	D/d
1.0 in.		47	104	170	245	330	10:1

WIRE ROPE STORAGE, m

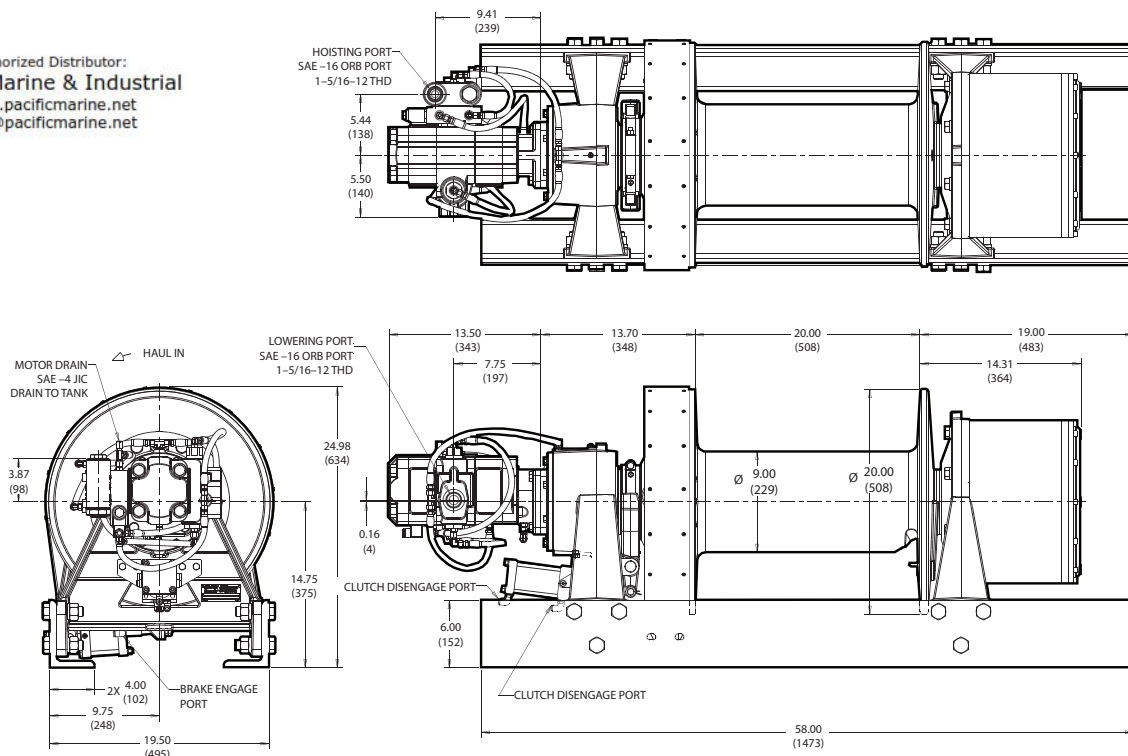
WIRE ROPE DIA	14	32	52	75	101	10:1
25.4 mm						

Dimensions

DIMENSIONS IN INCHES (MM)



Authorized Distributor:
Pacific Marine & Industrial
www.pacificmarine.net
info@pacificmarine.net



www.paccarwinch.com