

# TR Series

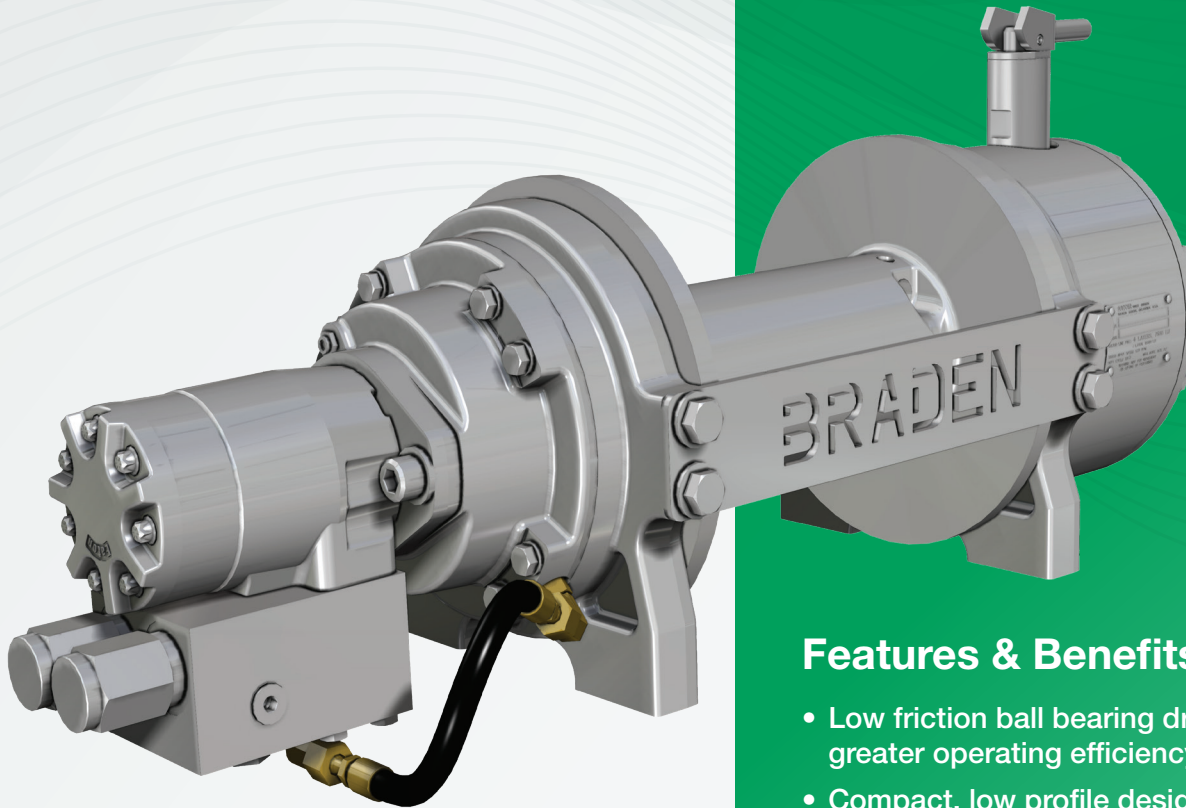
TR12 | TR15 | **TR20** | TR30



Authorized Distributor:  
Pacific Marine & Industrial  
www.pacificmarine.net  
info@pacificmarine.net

# BRADEN<sup>®</sup>

A PACCAR COMPANY



## Features & Benefits

- Low friction ball bearing drum for greater operating efficiency
- Compact, low profile design can be mounted upright or low
- Long drum available for TR20 and TR30
- Wear resistant urethane brake seals
- Oil bath lubrication for serviceability and long life
- Manual or air actuated freespool clutch
- SAE J706 compliant
- EN 14492\* compliant (optional)

*\*TR20 and TR30 only*

TR Series planetary winches are designed for stand-alone use on trailers, as well as towing and self-recovery applications. The highly efficient and rugged design of the gear train allows for fast line speeds and continuous winch operation. With versatile mounting options and line pull ratings from 12,000 lb (5,443 kg) to 30,000 lb (13,608 kg), TR Series winches are easily adaptable to multiple applications.



## Applications

- Towing & Recovery
- Utility
- Trailer

**BRADEN**  
CARGO  
Gearmatic | **PACCAR WINCH**



Authorized Distributor:  
Pacific Marine & Industrial  
www.pacificmarine.net  
info@pacificmarine.net

800 East Dallas | Broken Arrow, OK 74012  
www.paccarwinch.com | 918.251.8511  
LIT2898\_R2\_09-2022 (PB) ©2022 PACCAR Inc



# TR20 Recovery Winch

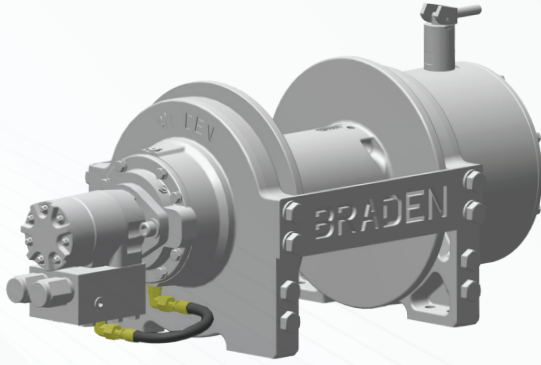
20,000 lb (9,072 kg) Rated Line Pull

# BRADEN®

A PACCAR COMPANY



Authorized Distributor:  
Pacific Marine & Industrial  
www.pacificmarine.net  
info@pacificmarine.net



<b>Gear Ratio</b>	28.5:1
<b>Approx. Unit Weight</b>	270 lb (122 kg) Short / 300 lb (136 kg) Long
<b>Standard Motor</b>	8.0 CID
<b>Drum Size</b>	5.75" (146 mm) Barrel x 12.25" (311 mm) Flange x 8.73" (222 mm) Short or 13.75" (349 mm) Long Between Flanges
<b>Rope Diameters (Wire or Synthetic)</b>	1/2" (13 mm), 9/16" (14 mm), 5/8" (16 mm) <i>Synthetic Rope Anchor (PN 113316) available for -02 and -03 drum</i>
<b>D/d Ratio (Wire Rope)</b>	1/2"=11.5:1, 9/16"=10.2:1, 5/8"=9.1:1
<b>Drum Freespool</b>	Manual or Air
<b>Cable Management Options</b>	Cable Roller, Tension Plate, Roller Fairlead

Specifications are representative of common configuration. Consult factory for additional options.

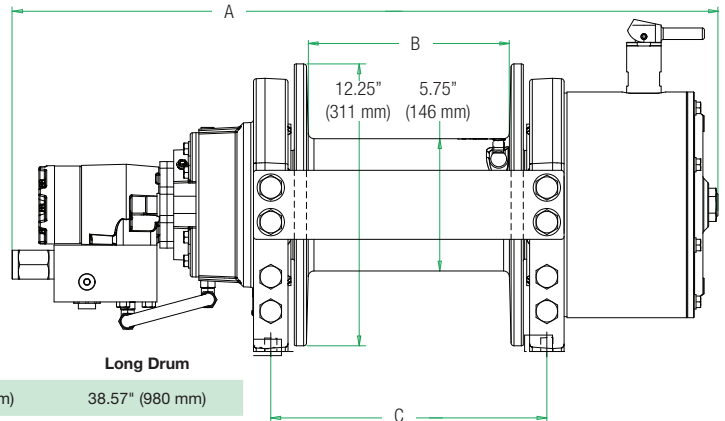
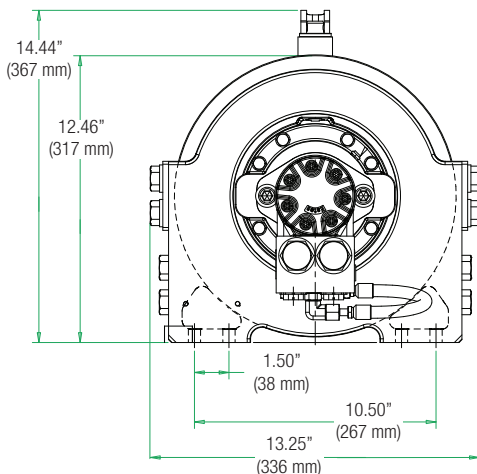
## Performance (TR20-29080-01)

	Layer 1	Layer 2	Layer 3	Layer 4	Layer 5	Layer 6
<b>Line Pull*</b>	20,000 lb (9,072 kg)	16,970 lb (7,697 kg)	14,740 lb (6,686 kg)	13,030 lb (5,910 kg)	11,670 lb (5,293 kg)	
<b>Line Speed*</b>	28 fpm (8.7 mpm)	34 fpm (10.2 mpm)	39 fpm (11.8 mpm)	44 fpm (13.3 mpm)	49 fpm (14.9 mpm)	
<b>Short Drum Capacity</b>						
1/2" (13 mm)	25 ft (7.6 m)	55 ft (16.8 m)	89 ft (27.1 m)	127 ft (38.7 m)	169 ft (51.5 m)	215 ft (65.5 m)**
9/16" (14 mm)	23 ft (7 m)	50 ft (15.2 m)	81 ft (24.7 m)	116 ft (35.4 m)	156 ft (47.5 m)	
5/8" (16 mm)	20 ft (6.1 m)	45 ft (13.7 m)	75 ft (22.9 m)	108 ft (32.9 m)	146 ft (44.5 m)**	
<b>Long Drum Capacity</b>						
1/2" (13 mm)	40 ft (12.2 m)	87 ft (26.5 m)	140 ft (42.7 m)	200 ft (61 m)	267 ft (81.4 m)	340 ft (103.6 m)**
9/16" (14 mm)	36 ft (11 m)	79 ft (24.1 m)	128 ft (39 m)	184 ft (56.1 m)	246 ft (75 m)	
5/8" (16 mm)	33 ft (10.1 m)	72 ft (21.9 m)	118 ft (36 m)	171 ft (52.1 m)	230 ft (70.1 m)**	

\*Based on pressure of 2,950 psi (203 bar), 20 gpm (75.8 lpm), 9/16" (14 mm) rope and 8.0 CID motor.  
Actual performance will vary dependent on hydraulic system, motor, drum and cable sizes.

\*\*Does not meet SAE J706.

## Dimensions (TR20-29080-01 shown. Additional technical information available at www.paccarwinch.com.)



	Short Drum	Long Drum
<b>A</b>	30.68" (779 mm)	38.57" (980 mm)
<b>B</b>	8.73" (222 mm)	13.75" (349 mm)
<b>C</b>	12" (305 mm)	17.25" (438 mm)

**BRADEN**  
CARGO  
Gearmatic | **PACCAR WINCH**



Authorized Distributor:  
Pacific Marine & Industrial  
www.pacificmarine.net  
info@pacificmarine.net

800 East Dallas | Broken Arrow, OK 74012  
www.paccarwinch.com | 918.251.8511

LIT2898\_R2\_09-2022 (PB) ©2022 PACCAR Inc

