

TR Series

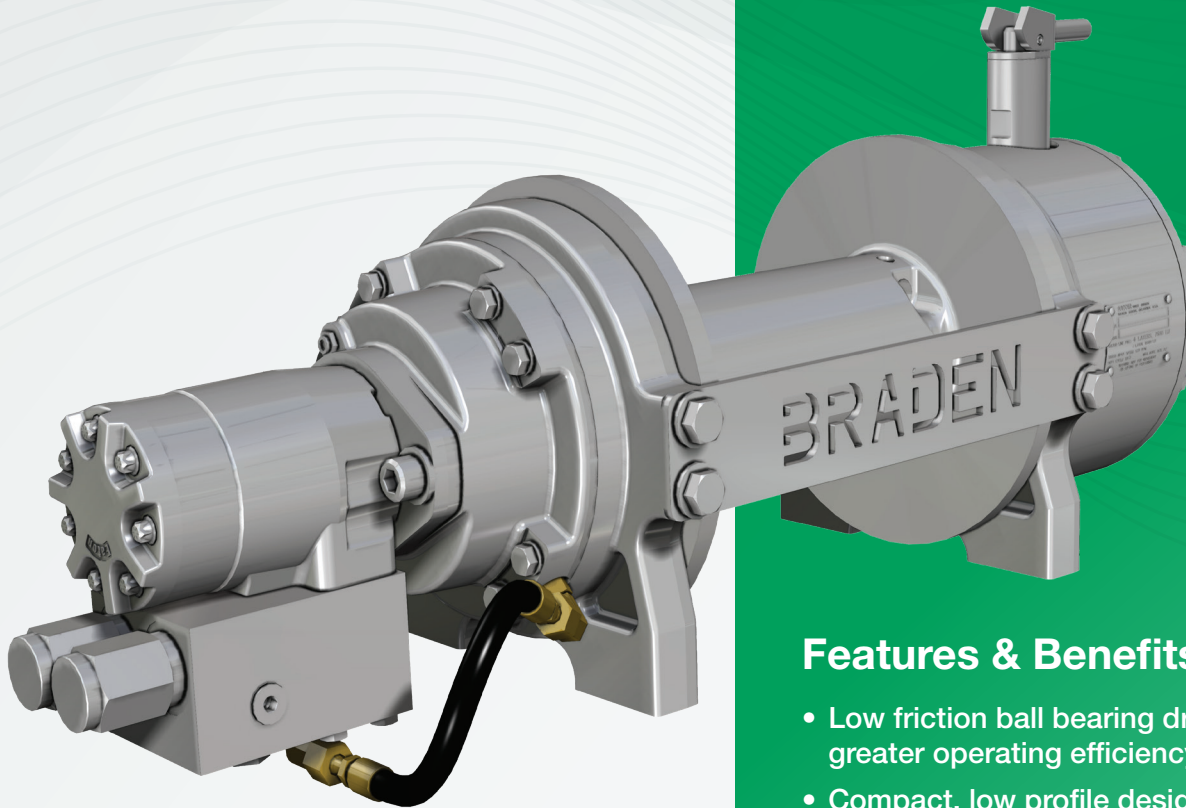
TR12 | TR15 | TR20 | TR30



Authorized Distributor:
Pacific Marine & Industrial
www.pacificmarine.net
info@pacificmarine.net

BRADEN

A PACCAR COMPANY



Features & Benefits

- Low friction ball bearing drum for greater operating efficiency
- Compact, low profile design can be mounted upright or low
- Long drum available for TR20 and TR30
- Wear resistant urethane brake seals
- Oil bath lubrication for serviceability and long life
- Manual or air actuated freespool clutch
- SAE J706 compliant
- EN 14492* compliant (optional)

**TR20 and TR30 only*

TR Series planetary winches are designed for stand-alone use on trailers, as well as towing and self-recovery applications. The highly efficient and rugged design of the gear train allows for fast line speeds and continuous winch operation. With versatile mounting options and line pull ratings from 12,000 lb (5,443 kg) to 30,000 lb (13,608 kg), TR Series winches are easily adaptable to multiple applications.



Applications

- Towing & Recovery
- Utility
- Trailer

BRADEN
CARGO
Gearmatic | **PACCAR WINCH**



Authorized Distributor:
Pacific Marine & Industrial
www.pacificmarine.net
info@pacificmarine.net

800 East Dallas | Broken Arrow, OK 74012
www.paccarwinch.com | 918.251.8511
LIT2898_R2_09-2022 (PB) ©2022 PACCAR Inc



TR12 Recovery Winch

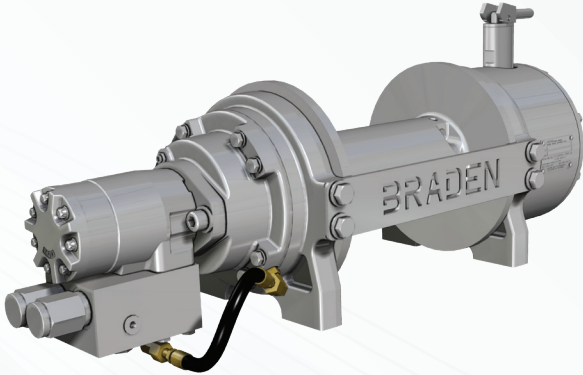
12,000 lb (5,443 kg) Rated Line Pull

BRADEN®

A PACCAR COMPANY



Authorized Distributor:
Pacific Marine & Industrial
www.pacificmarine.net
info@pacificmarine.net



Gear Ratio	13:1
Approx. Unit Weight	165 lb (74 kg)
Standard Motor	8.0 CID
Drum Size	4" (101 mm) Barrel x 9" (228 mm) Flange x 9.79" (249 mm) Between Flanges
Rope Diameters (Wire or Synthetic)	7/16" (11 mm), 1/2" (13 mm) <i>Synthetic Rope Anchor (PN 113403) available for -02 drum</i>
D/d Ratio (Wire Rope)	7/16"=9:1, 1/2"=8:1
Drum Freespool	Manual or Air
Cable Management Options	Cable Roller, Tension Plate, Roller Fairlead

Specifications are representative of common configuration. Consult factory for additional options.

Performance (TR12A-13080-01)

	Layer 1	Layer 2	Layer 3	Layer 4	Layer 5
Line Pull*	12,000 lb (5,443 kg)	10,020 lb (4,545 kg)	8,600 lb (3,900 kg)	7,530 lb (3,415 kg)	6,700 lb (3,039 kg)
Line Speed*	46 fpm (14 mpm)	56 fpm (17.1 mpm)	65 fpm (19.8 mpm)	74 fpm (22.6 mpm)	83 fpm (25.3 mpm)
Drum Capacity					
7/16" (11 mm)	23 ft (7 m)	51 ft (15.5 m)	84 ft (25.6 m)	121 ft (36.9 m)	163 ft (49.7 m)
1/2" (13 mm)	20 ft (6.1 m)	46 ft (14 m)	76 ft (23.2 m)	110 ft (33.5 m)	149 ft (45.4 m)**

*Based on pressure of 2,450 psi (169 bar), 20 gpm (75.8 lpm), 7/16" (11 mm) rope and 8.0 CID motor.
Actual performance will vary dependent on hydraulic system, motor, drum and cable sizes.

**Does not meet SAE J706.

Dimensions (TR12A-13080-01 shown. Additional technical information available at www.paccarwinch.com.)

