

CH280A Construction Hoist

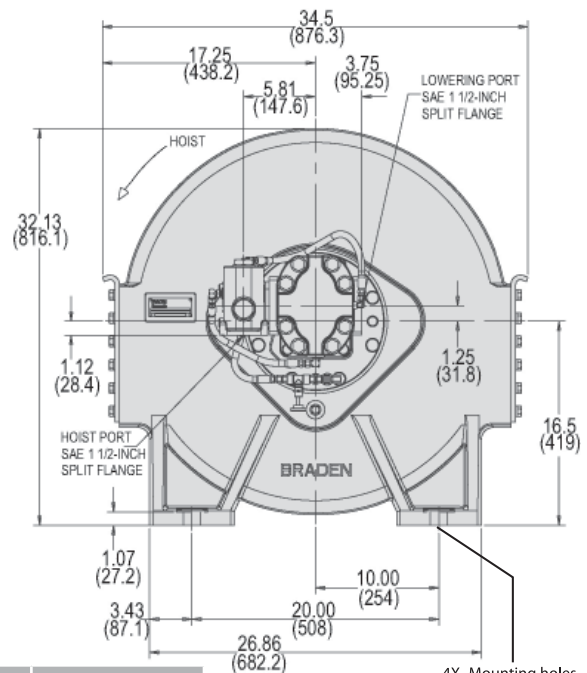
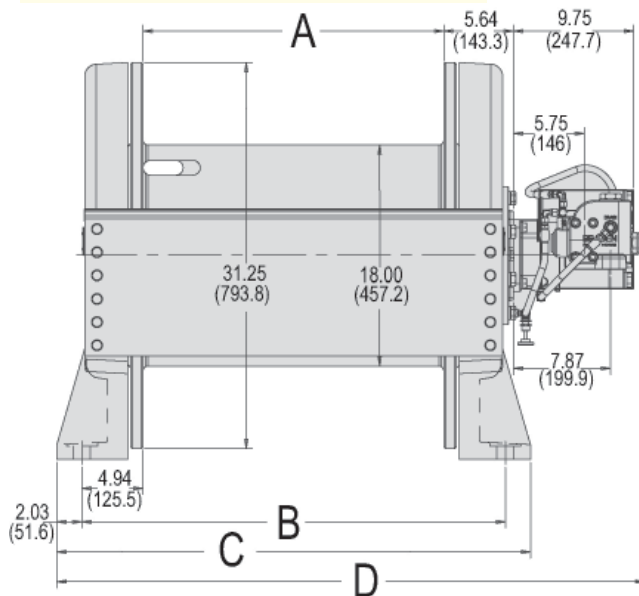
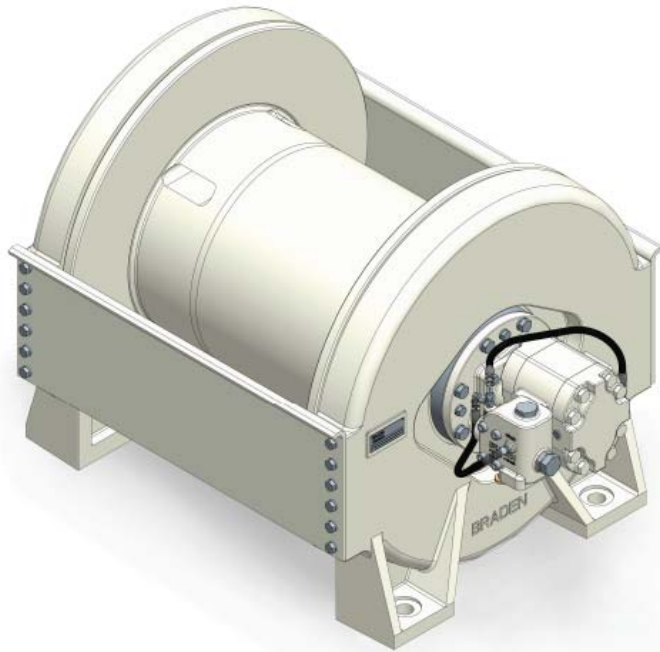
28,000 LB Capacity

BRADEN
PACCAR WINCH DIVISION



Standard Features:

- Multi-disc spring applied, hydraulically released brake to hold the load even if a hydraulic line breaks
- Anti-friction bearings used throughout to maximize efficiency
- Brake valve for smooth performance
- Full load wire rope anchor
- High efficiency motor



4X Mounting holes
Ø1.38 dia. (35 mm)

	01 Drum	02 Drum
A	24.36 (618.8)	38.61 (981)
B	34.29 (870.9)	48.54 (1233)
C	38.36 (974.3)	52.61 (1336)
D	47.61 (1209.3)	61.86 (1571)



PACCAR WINCH DIVISION
P.O. BOX 547 BROKEN ARROW, OK U.S.A. 74013
PHONE (918) 251-8511 FAX (918) 259-1575
www.paccarwinch.com

Copyright 2007 PACCAR Inc
All Rights Reserved

LIT-2345
REV 2
AUG 2008

Specifications

CH280A-54090-01 & 02

9.0 cu in. Motor (148 cc)
3,000 PSI (206 bar) @ 125 gpm (473 lpm)
Wire Rope Diameter: 1 in.

	LINE PULL		LINE SPEED	
	LB	KG	FPM	MPM
1	18,500	8,414	269	82
2	16,750	7,614	297	91
3	15,290	6,950	325	99
4	14,070	6,395	354	108
5	13,020	5,918	382	116
6	12,130	5,514	411	125

CH280A-54110-01 & 02

11.0 cu in. Motor (181 cc)
3,000 PSI (206 bar) @ 155 gpm (587 lpm)
Wire Rope Diameter: 1 in.

	LINE PULL		LINE SPEED	
	LB	KG	FPM	MPM
1	23,280	10,582	277	84
2	21,060	9,573	307	94
3	19,230	8,741	336	102
4	17,690	8,041	365	111
5	16,380	7,445	394	120
6	15,250	6,932	424	129

CH280A-54120-01 & 02

12.0 cu in. Motor (197 cc)
3,000 PSI (206 bar) @ 170 gpm (643 lpm)
Wire Rope Diameter: 1 in.

	LINE PULL		LINE SPEED	
	LB	KG	FPM	MPM
1	25,660	11,664	280	85
2	23,220	10,555	310	94
3	21,200	9,636	340	104
4	19,500	8,864	369	112
5	18,060	8,209	399	122
6	16,810	7,641	428	130

CH280A-54144-01 & 02

14.4 cu in. Motor (236 cc)
2,700 PSI (186 bar) @ 200 gpm (757 lpm)
Wire Rope Diameter: 1 in.

	LINE PULL		LINE SPEED	
	LB	KG	FPM	MPM
1	28,000	12,727	264	80
2	25,330	11,514	291	89
3	23,130	10,514	319	97
4	21,280	9,673	347	106
5	19,700	8,955	375	114
6	18,350	8,341	402	123

Wire Rope Storage Capacities

	01 DRUM ROPE CAPACITY (1 in. ROPE)		02 DRUM ROPE CAPACITY (1 in. ROPE)	
	FT	M	FT	M
1	121	37	192	59
2	254	77	404	123
3	400	122	636	194
4	559	170	888	271
5	731	223	1,160	354
6	915	279	1,453	443

Model Number Explanation

CH 280 A - 54 144 - 01 - 1

CH	CONSTRUCTION HOIST
280	MODEL SIZE
A	MODEL SERIES RELATING TO DESIGN CHANGES
54	TOTAL GEAR REDUCTION
144	HYDRAULIC MOTOR DISPLACEMENT (144 - 14.4 cu in./rev)
01	DRUM SIZE
1	SPECIAL OPTION (Personnel Handling)