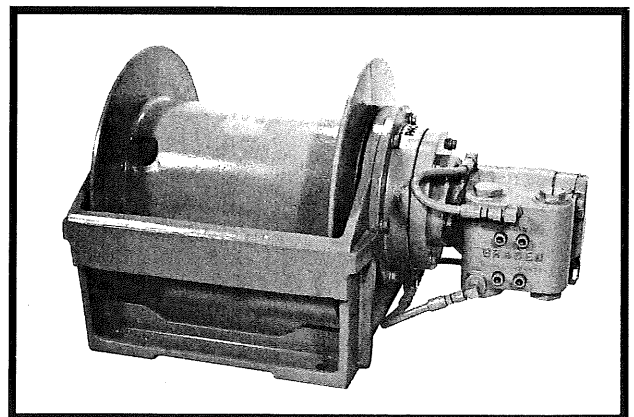


MATERIAL LIST

BRADEN

BG8A



Authorized Distributor:
Pacific Marine & Industrial
www.pacificmarine.net
info@pacificmarine.net

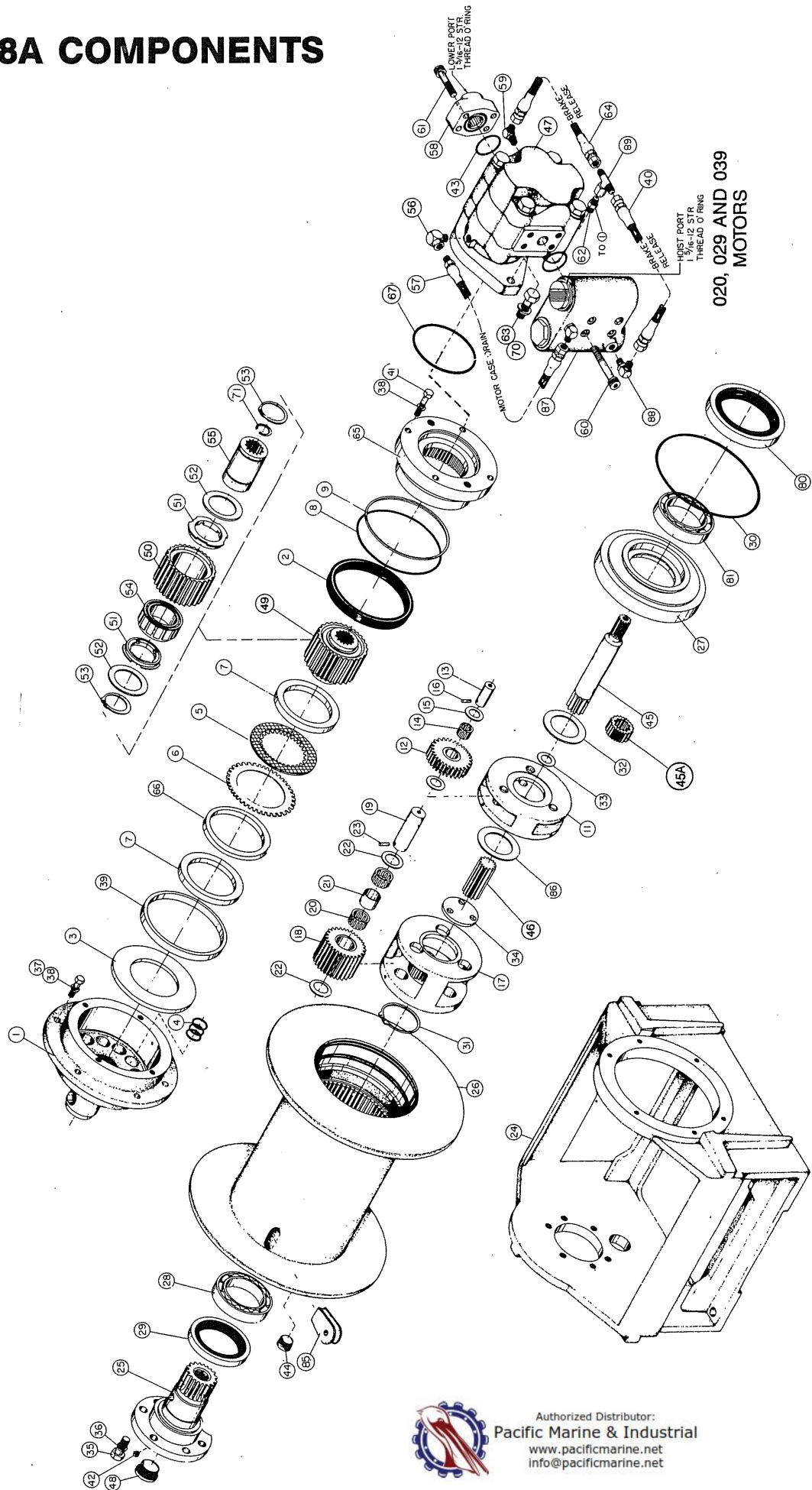
PB-221
10/99
Printed in U.S.A.

PACCAR WINCH DIVISIONS

P.O. BOX 547 • BROKEN ARROW, OK 74013
PHONE: (918) 251-8511 • FAX: (918) 259-1575
www.paccar.com/winch

Pacific Marine & Industrial - www.pacificmarine.net

BRADEN BG8A COMPONENTS



020, 029 AND 039
MOTORS

SEE BACK PAGE FOR
HIGH SPEED REVERSE PARTS



Authorized Distributor:
Pacific Marine & Industrial
www.pacificmarine.net
info@pacificmarine.net

BRAKE VALVE ASSEMBLY (Item 87)

ITEM	PART NO.	DESCRIPTION	QTY.
1	NSS	VALVE HOUSING	1
2	NSS	SPRING RETAINER	1
3	NSS	SPRING RETAINER	1
4	NSS	PLUG	1
5	NSS	SPOOL	1
6	NSS	DAMPER PISTON	1
7	24186*	O-RING	1
8	NSS	CHECK VALVE POPPET	1
9	24200	PILOT ORIFICE	1
10	24190	CHECK VALVE SPRING	1
11	24192	SPOOL SPRING	1
12	23601*	O-RING	2
13	24193*	O-RING	1
14	24194*	O-RING	1
15	24195*	BACKUP RING	1
16	24196*	BACKUP RING	1
17	21158	CHECK BALL (1/4")	1
18	25480	CHECK BALL SPRING	1
19	25302	ELBOW FITTING	1
20	25661	VALVE SPRING SHIM	—

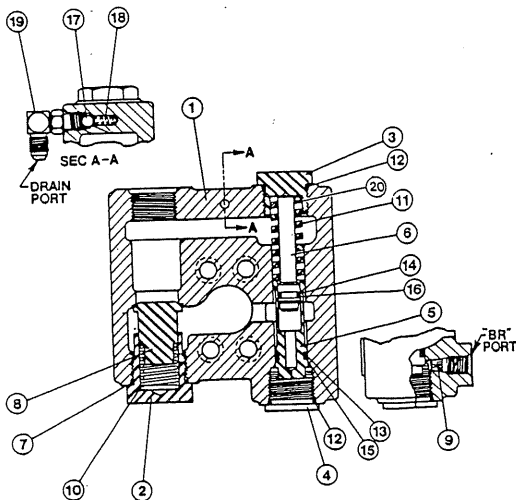
NSS - NOT SERVICE SEPARATELY, ORDER COMPLETE BRAKE VALVE ASSEMBLY

*INCLUDED IN BRAKE VALVE O-RING KIT, PART NUMBER 61567.

BASIC MATERIAL LIST — EQUAL SPEED WINCHES

ITEM	PART NO.	DESCRIPTION	QTY.
1	28840	BRAKE CYLINDER	1
2	25642	SEAL	1
3	25635	PRESSURE PLATE	1
4	25644*	SPRING	12
5	21036	FRICTION DISC	5
6	21029	STEEL DISC	6
7	25637	SPACER	2
8	24981	O-RING	1
9	25643	BACK-UP RING	1
	25512	PRIMARY PLANET CARRIER (23:1 RATIO & HIGH SPEED REVERSE)	1
11	25513	PRIMARY PLANET CARRIER (34:1 RATIO)	1
	25329	PRIMARY PLANET CARRIER (59:1 RATIO)	1
	26273	PRIMARY PLANET GEAR (23:1 RATIO & HIGH SPEED REVERSE)	3
12	26275	PRIMARY PLANET GEAR (34:1 RATIO)	3
	26271	PRIMARY PLANET GEAR (59:1 RATIO)	3
13	25332	PRIMARY PLANET GEAR SHAFT	3
14	25333	ROLLER BEARING	3
15	24914	THRUST WASHER	6
16	12026	ROLLPIN	3
	25514	OUTPUT PLANET CARRIER (23:1, 34:1 RATIO & HIGH SPEED REVERSE)	1
17	25202	OUTPUT PLANET CARRIER (59:1 RATIO)	1
	26274	OUTPUT PLANET GEAR (23:1, 34:1 RATIO & HIGH SPEED REVERSE)	3
18	26272	OUTPUT PLANET GEAR (59:1 RATIO)	3
	25666	PLANET GEAR SHAFT	3
20	24175	ROLLER BEARING	6
21	24890	BEARING SPACER	3
22	25361	THRUST WASHER	6
23	21049	ROLLPIN	3
24	25977	BASE	1
25	28843	BEARING SUPPORT	1
26	28842	CABLE DRUM	1
27	28841	CABLE DRUM CLOSURE	1
28	25299	BEARING (2 USED ON HIGH SPEED REVERSE)	1
29	28844	OIL SEAL (2 USED ON HIGH SPEED REVERSE)	1
30	22358	O-RING	1
31	25528	SNAP RING	1
32	25300	THRUST WASHER	1
	27426	THRUST WASHER (23:1 RATIO) NOT USED WITH 071 MOTOR	1
33	25942	THRUST WASHER (34:1 RATIO)	1
	24913	THRUST WASHER (59:1 RATIO)	1
34	25542	THRUST PLATE	1
35	13938	CAPSCREW (1/2 - 13 x 1/4 GR. 5)	6
36	11026	LOCKWASHER (1/2)	6
37	11776	CAPSCREW (3/8 - 16 x 1/4 GR. 5)	6
38	18003	LOCKWASHER (3/8)	10
39	25636	PISTON BACK-UP RING	1
41	22703	CAPSCREW (3/8 - 16 x 1/4 GR. 5)	4
42	18062	VENT PLUG	1
	22374	PLUG (HIGH SPEED REVERSE)	1
44	32411	O-RING FLUSH PLUG (-8)	1
	25596	PRIMARY SUN GEAR (23:1 & 59:1 RATIO)	1
45	25511	PRIMARY SUN GEAR (34:1 RATIO)	1
45A	25507	PRIMARY SUN GEAR ADAPTER (23:1 RATIO ONLY)	1
46	25509	OUTPUT SUN GEAR (23:1, 34:1 RATIO & HIGH SPEED REVERSE)	1
	24891	OUTPUT SUN GEAR (59:1 RATIO)	1
	25386	MOTOR (020)	1
47	25385	MOTOR (029)	1
	25515	MOTOR (039)	1
	40258	MOTOR (071)	1
48	24420	PLUG	1
	25958	SIGHT GAUGE (-1 PERSONNEL HANDLING WINCHES)	1
49	81987	BRAKE CLUTCH ASSEMBLY (INCLUDES ITEMS 50 THRU 55 & 71)	1
50	NSS*	OUTER BRAKE RACE	1
51	27684	SPRAG BEARING	2
52	24581	THRUST BEARING	2
53	12034	RETAINING RING	2
54	NSS*	SPRAG CLUTCH	1
55	NSS*	INNER BRAKE RACE	1
65	25920	MOTOR SUPPORT	1
66	24892	BRAKE SPACER	2
67	21063	O-RING	1
71	32115	INTERNAL RETAINING RING	1
80	28994	OIL SEAL (SEE ITEM 29 FOR HIGH SPEED REVERSE WINCH)	1
81	72385	BEARING (SEE ITEM 28 FOR HIGH SPEED REVERSE WINCH)	1
	74780	CABLE ANCHOR - STANDARD (3/8 TO 3/16)	1
85	24119	CABLE ANCHOR (1/4 & 3/16)	1
	26095	CABLE ANCHOR (3/8 & 3/4 POLY ROPE ONLY)	1
86	76142	THRUST WASHER	1

SEAL KITS	
PART NO.	DESCRIPTION
62275	EQUAL SPEED WINCHES (INCLUDES ITEMS 2, 8, 9, 29, 30, 43, 48 & 80)
62276	HIGH SPEED REVERSE WINCHES (INCLUDES ITEMS 29, 30, 130, 134 THRU 138, 142 & 143)

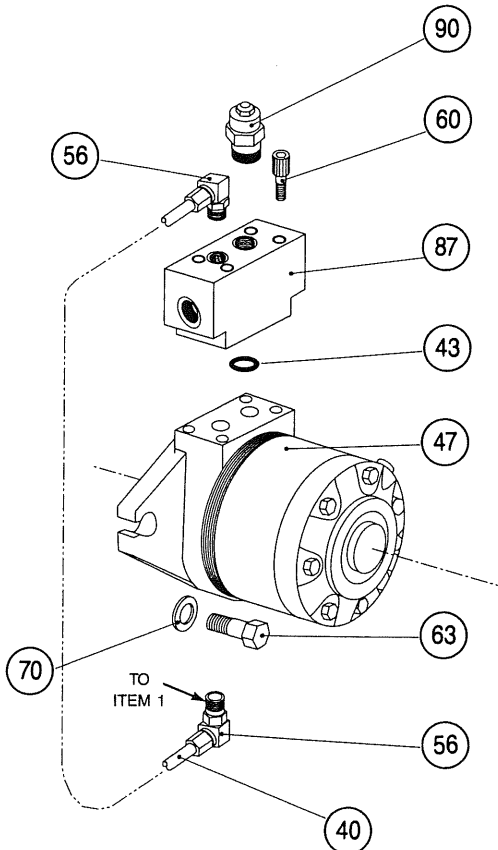


Authorized Distributor:
Pacific Marine & Industrial
 www.pacificmarine.net
 info@pacificmarine.net

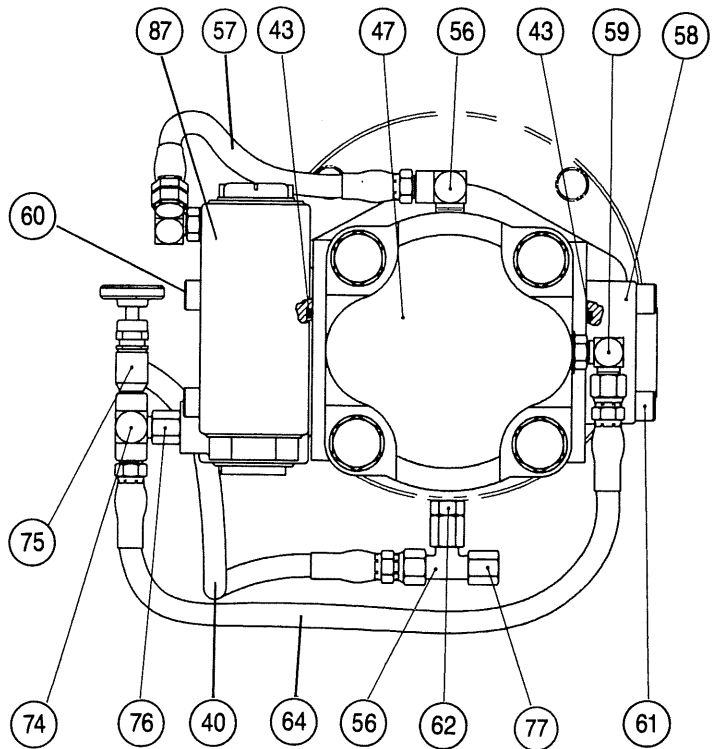
43130

MOTOR GROUP

ITEM	020, 029, 039 MOTORS	071 MOTOR	-1 (PERSONNEL HANDLING)	DESCRIPTION	QTY.
	PART NO.	PART NO.	PART NO.		
40	25936	25952	13704	HOSE ASSEMBLY	1
43	25366	12273	25366	O-RING	2
56	24236	—	24236	REDUCER ELBOW	1
	—	25302	—	ELBOW FITTING	2
57	13711	—	13711	HOSE ASSEMBLY	1
58	25539	—	25539	SPLIT FLANGE ADAPTER	1
59	25131	—	25131	ELBOW (O-RING)	1
60	25622	—	25622	CAPSCREW (3/8 - 16 x 2 3/4 GR. 8 SOCKET HEAD)	4
	—	29631	—	CAPSCREW (5/16 - 18 x 3 GR. 8 SOCKET HEAD)	4
61	13544	—	13544	CAPSCREW (3/8 - 16 x 1 1/2 GR. 5 SOCKET HEAD)	4
62	25864	—	25864	ADAPTER	1
63	13413	—	13413	CAPSCREW (1/2 - 13 x 1 1/2 GR. 5)	2
	—	13938	—	CAPSCREW (1/2 - 13 x 1 1/4 GR. 5)	2
64	25935	—	13706	HOSE ASSEMBLY	1
70	11026	—	11026	LOCKWASHER (1/2)	2
	—	11026	—	LOCKWASHER (1/2)	2
87	81715	—	81715	BRAKE VALVE ASSEMBLY	1
	—	27403	—	BRAKE VALVE BLOCK	1
88	25302	—	—	ELBOW FITTING	1
89	25748	—	25748	SWIVEL TEE	1
74	—	—	22934	MALE BRANCH TEE	1
75	—	—	25258	NEEDLE VALVE	1
76	—	—	24784	FITTING CONNECTOR	1
77	—	—	70182	CAP	1
90	—	27258	—	COUNTERBALANCE VALVE CARTRIDGE	1



071
MOTOR



-1 (PERSONNEL HANDLING)
MOTOR PIPING

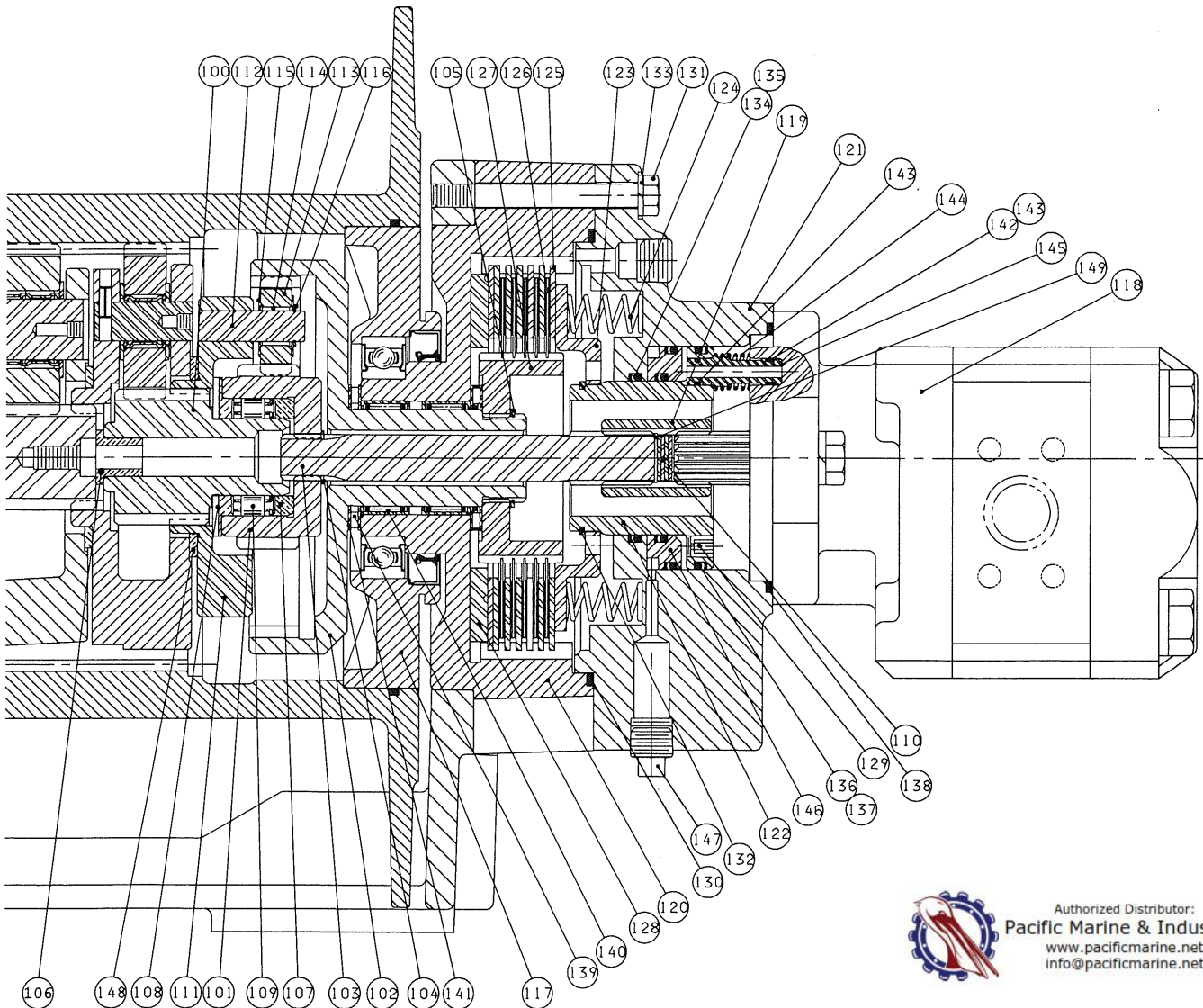


HIGH SPEED REVERSE MATERIAL LIST

(Refer to Basic Material List for all parts not shown below)

ITEM	PART NO.	DESCRIPTION	QTY.	ITEM	PART NO.	DESCRIPTION	QTY.
100	75754	PRIMARY GUN GEAR	1	125	75736	STEEL DISC	7
101	75761	HIGH SPEED REVERSE SUN GEAR	1	126	75809	FRICTION DISC	5
102	75818	HIGH SPEED REVERSE RING GEAR	1	127	76399	BRAKE HUB	1
103	75767	INPUT SHAFT	1	128	76123	BRAKE SPACER	1
104	76177	RETAINING RING	1	129	76173	ORIFICE PLUG	1
105	25588	RETAINING RING	1	130	22357	O-RING	1
106	76126	SPACER BUSHING	1	131	75778	CAPSCREW (3/8 - 16 x 3/4 GR. 5)	6
107	75760	SPACER BUSHING	1	132	25106	RETAINING RING	1
108	25849	SPACER BUSHING	1	133	18003	LOCKWASHER (3/8)	6
109	75807	SPRAG CLUTCH	1	134	75798	BACK-UP RING	2
110	76174	SHIM	5*	135	22991	O-RING	2
111	75757	HIGH SPEED REVERSE PLANET CARRIER	1	136	75802	BACK-UP RING	2
112	75758	PLANET GEAR SHAFT	3	137	78304	O-RING	2
113	75762	HIGH SPEED REVERSE PLANET GEAR	3	138	21063	O-RING	1
114	75725	ROLLER BEARING	3	139	75765	THRUST BEARING	2
115	76265	THRUST WASHER	6	140	75810	ROLLER BEARING	2
116	101082	RETAINING RING	3	141	75799	THRUST BEARING	4
117	29040	CABLE DRUM CLOSURE	1	142	76168	BACK-UP RING	1
118	76171	MOTOR (029)	1	143	24520	O-RING	2
	76166	MOTOR (020)	1	144	76169	SPRING	1
119	75768	MOTOR COUPLING	1	145	76396	BRAKE TUBE	1
120	29041	BRAKE HOUSING	1	146	76167	EXTERNAL BRAKE RELEASE PISTON	1
121	76022	MOTOR SUPPORT	1	147	23377	PLUG	1
122	76398	BRAKE RELEASE PISTON	1	148	76141	THRUST PLATE	1
123	76400	PRESSURE PLATE	1	149	32115	RETAINING RING	1
124	75811	SPRING	14				

*NUMBER OF SHIMS IS VARIABLE. START WITH 5 AND REMOVE ONE (1) AT A TIME UNTIL MOTOR FITS FIRMLY AGAINST MOTOR SUPPORT.



Authorized Distributor:
Pacific Marine & Industrial
www.pacificmarine.net
info@pacificmarine.net

