



PD7C Planetary Hoist

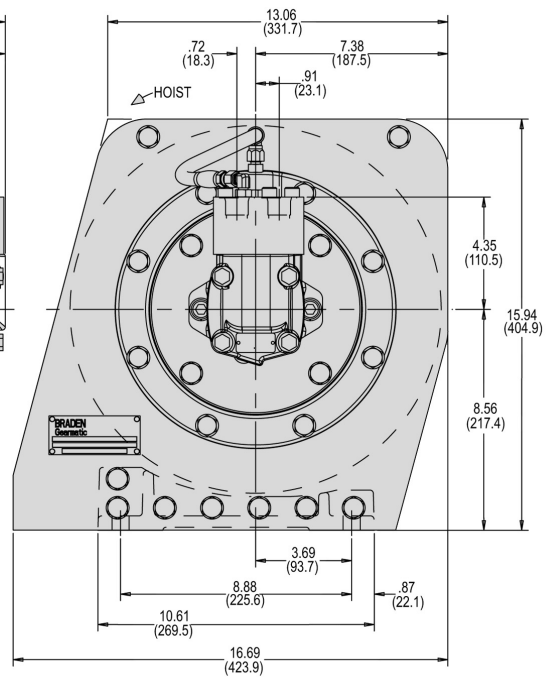
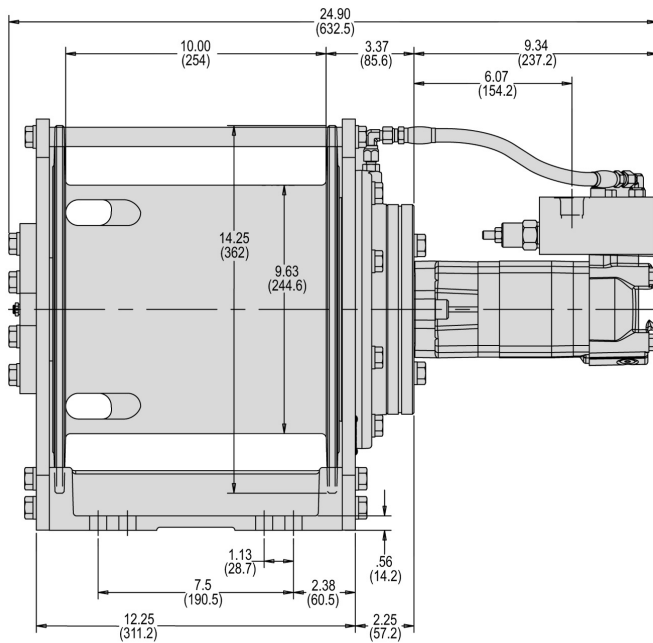
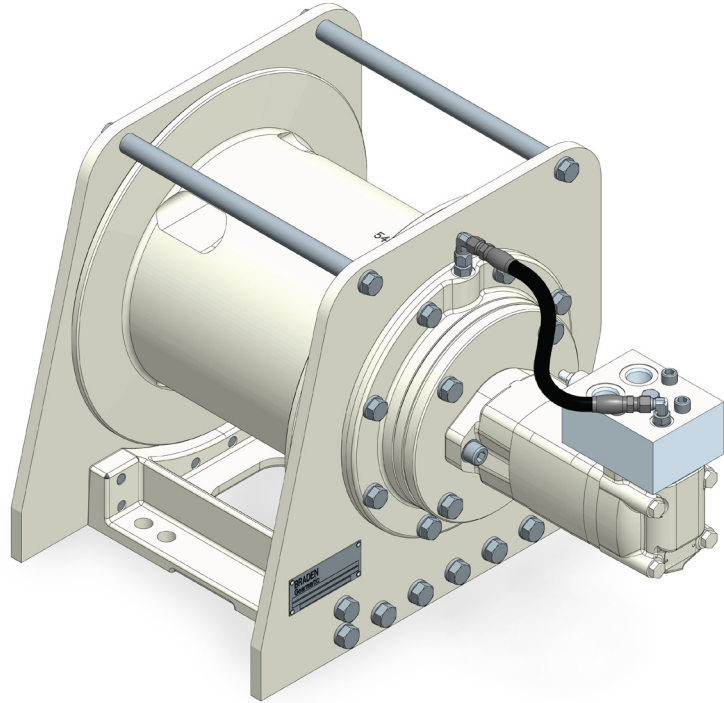
7,000 LB Capacity

BRADEN
PACCAR WINCH DIVISION



Standard Features:

- Multi-disc spring applied, hydraulically released brake to hold the load even if a hydraulic line breaks
- Anti-friction bearings used throughout to maximize efficiency
- Brake valve for smooth performance
- Full load wire rope anchor
- High efficiency motor



Specifications

PD7C-07120-01 & 02

11.9 cu in. Motor (195 cc)
3,000 PSI (206 bar) @ 20 gpm (76 lpm)
Wire Rope Diameter: 0.56 in.

	LINE PULL		LINE SPEED	
	LB	KG	FPM	MPM
1	5,000	2,273	138	42
2	4,510	2,050	153	47
3	4,100	1,864	168	51
4	3,760	1,709	183	56

PD7C-07150-01 & 02

14.9 cu in. Motor (244 cc)
3,000 PSI (206 bar) @ 20 gpm (76 lpm)
Wire Rope Diameter: 0.56 in.

	LINE PULL		LINE SPEED	
	LB	KG	FPM	MPM
1	6,270	2,850	110	34
2	5,650	2,568	122	37
3	5,140	2,336	134	41
4	4,720	2,145	146	44

PD7C-07190-01 & 02

18.7 cu in. Motor (306cc)
2,700 PSI (184 bar) @ 25 gpm (95 lpm)
Wire Rope Diameter: 0.56 in.

	LINE PULL		LINE SPEED	
	LB	KG	FPM	MPM
1	7,000	3,182	112	34
2	6,310	2,868	124	38
3	5,740	2,609	136	41
4	5,260	2,391	149	45

PD7C-07240-01 & 02

24.0 cu in. Motor (393 cc)
2,100 PSI (143 bar) @ 25 gpm (95 lpm)
Wire Rope Diameter: 0.56 in.

	LINE PULL		LINE SPEED	
	LB	KG	FPM	MPM
1	7,000	3,182	87	27
2	6,310	2,868	97	30
3	5,740	2,609	106	32
4	5,260	2,391	116	35

Wire Rope Storage Capacities

	01 DRUM ROPE CAPACITY (0.56 in. ROPE)		02 DRUM ROPE CAPACITY (0.56 in. ROPE)	
	FT	M	FT47	M
1	47	14	47	14
2	99	30	99	30
3	157	48	157	48
4	220	67	220	67

Model Number Explanation

PD 7 C - 07 240 - 01

PD	POWER DRUM HOIST
7	MODEL SIZE
C	MODEL SERIES RELATING TO DESIGN CHANGES
07	TOTAL GEAR REDUCTION
240	HYDRAULIC MOTOR DISPLACEMENT (240 - 24.0 cu in./rev)
01	DRUM SIZE