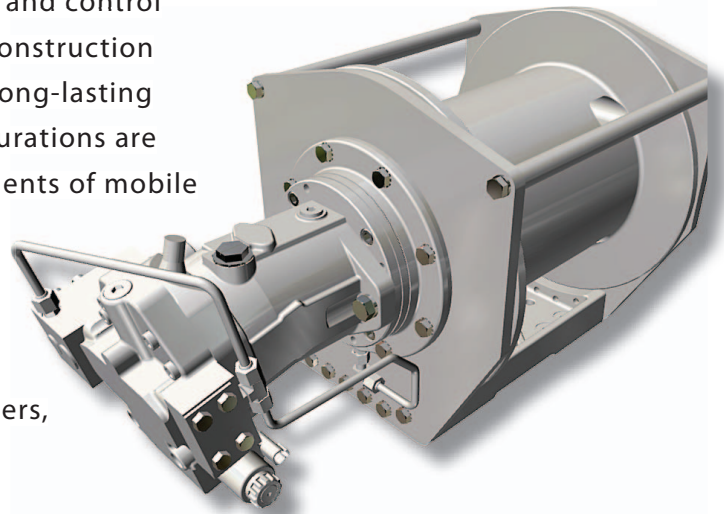


The BRADEN PD15 delivers superior performance and unrivaled durability in a wide range of hoisting applications. The power drum design and patented BRADEN brake valve provide outstanding reliability and control for maximum productivity. Robust winch construction and precision gear manufacturing ensure long-lasting operation. More than 200 standard configurations are available to meet the demanding requirements of mobile and offshore platform cranes, personnel handling systems for drilling and service rigs, and many other applications. Proven performance plus ease of service make the PD15 the first choice for design engineers, operators, and service technicians alike.



Features/Benefits

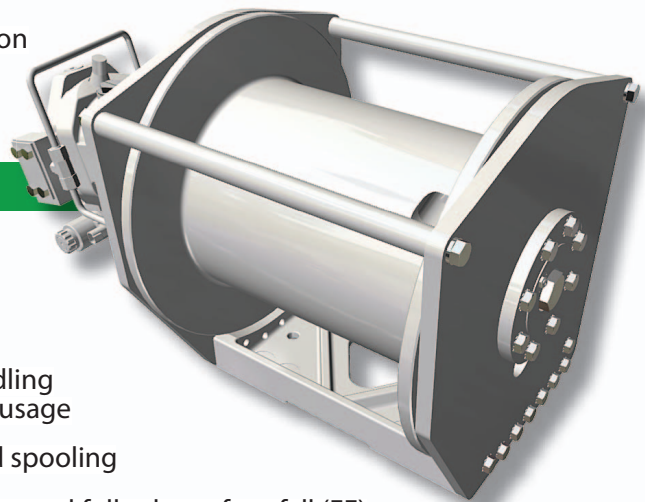
- Sealed, high-efficiency planetary reduction gearing provides continuous-duty performance
- Shave-finished, crowned gears produce smooth, quiet operation, optimal load-carrying capacity, and ultimately longer gear life
- Patented BRADEN brake valve* works in conjunction with the overrunning clutch and spring-applied, hydraulically-released multi-disc brake for precise control and fail-safe (3:1 safety factor) load handling
- High-efficiency, anti-friction bearings used throughout hoist to ensure long service life
- Three-piece drum base for maximum installation versatility

* gear motor models

Options

- Choose from two gear ratios, two drum sizes, and multiple high-efficiency gear or piston motor options for optimum performance
- API Specification 2C-compliant personnel handling option expands functionality for crane and rig usage
- Smooth or grooved** cable drum for improved spooling
- Controlled free-fall (CF) for improved cycle times and full-release free-fall (FF) for emergency load-lowering capability in select applications
- Underwind configuration available for clockwise hoisting
- Tension roller kits available for enhanced productivity

** -02 drum



Model Identification

BRADEN planetary hoists are available in a wide variety of configurations with optional drums, gear ratios, and motor displacements to meet your requirements.

The configuration may be determined by this model numbering system:

PD	15	B	—	FF	—	41	V	064	—	04	G	R	—	1
POWER DRUM	MAX RATING	MODEL SERIES		OPTION		GEAR RATIO	MOTOR TYPE	MOTOR SIZE*		DRUM CODE	DRUM AND BASE OPTIONS			

CHARACTER	DESIGNATION
PD	POWER DRUM
15	MAXIMUM RATED FIRST-LAYER LINE PULL CAPACITY, LB (X 1,000)
B	MODEL SERIES (DESIGN CHANGES)
FF/CF	FF=FULL-RELEASE FREE FALL OPTION / CF = CONTROLLED FREE FALL
41	TOTAL GEAR REDUCTION RATIO (THE PD15C IS AVAILABLE in 34:1 and 41:1 RATIOS)
V/P	V=VARIABLE-DISPLACEMENT PISTON MOTOR / P=FIXED-DISPLACEMENT PISTON MOTOR / NO LETTER= SINGLE OR TWO-SPEED GEAR MOTOR
064	HYDRAULIC MOTOR DISPLACEMENT, CU INCHES/REV – FIGURES SEPARATED BY “/” INDICATE TWO-SPEED MOTOR
02	DRUM CODE - DESIGNATES DRUM SIZE
U	UNDERWIND (CLOCKWISE HOISTING) OPTION
L	LEFT-HAND BASE OPTION
G	GROOVED CABLE DRUM OPTION
R	TENSION ROLLER OPTION
P	RATCHET AND PAWL OPTION
1	API SPECIFICATION 2C COMPLIANCE OPTION - PERMITS LIFTING & LOWERING OF PERSONNEL FOR OFFSHORE CRANE APPLICATIONS

* WHERE NO MOTOR IS SPECIFIED, “000” OR SAE MOTOR SHAFT AND BOLT PATTERN (FOR EXAMPLE, “C4C”) WILL BE PROVIDED



Authorized Distributor:
Pacific Marine & Industrial
www.pacificmarine.net
info@pacificmarine.net

Performance

-04 DRUM
Single-speed
Motor

RATIO		41:1				34:1			
MOTOR	080 (8.0 cu in.)	064 (6.38 cu in.)	051 (5.1 cu in.)			064 (6.38 cu in.)			
PRESSURE	2,465 psi	2,605 psi	3,000 psi		3,000 psi				
FLOW	20 gpm	80 gpm	75 gpm		80 gpm				
WIRE ROPE DIA		1/2 in.				1/2 in.			
LAYER	LINE PULL (lb)	LINE SPEED (fpm)	LINE PULL (lb)	LINE SPEED (fpm)	LINE PULL (lb)	LINE SPEED (fpm)	LINE PULL (lb)	LINE SPEED (fpm)	
1	15,000	37	15,000	192	13,400	224	14,260	232	
2	13,760	41	13,760	208	12,290	243	13,080	252	
3	12,710	45	12,720	226	11,360	264	12,080	273	
4	11,810	49	11,820	243	10,550	284	11,230	294	
5	11,030	49	11,030	260	9,850	304	10,490	315	
6	10,350	53	10,350	277	9,240	324	9,840	336	
7	9,740	56	9,740	295	8,700	344	9,260	356	
8	9,200	59	9,210	312	8,220	364	8,750	377	
9*	8,720	63	8,730	329	7,790	384	8,290	398	
WIRE ROPE DIA		9/16 in.				9/16 in.			
1	15,000	37	15,000	193	13,400	225	14,260	233	
2	13,630	40	13,630	212	12,180	247	12,960	256	
3	12,490	44	12,490	231	11,160	270	11,870	280	
4	11,520	48	11,520	250	10,290	292	10,950	303	
5	10,700	51	10,700	270	9,560	315	10,170	326	
6	9,980	55	9,980	289	8,920	338	9,490	350	
7	9,350	59	9,350	309	8,360	360	8,890	373	
8*	8,800	62	8,800	328	7,860	383	8,370	397	
WIRE ROPE DIA		5/8 in.				5/8 in.			
1	15,000	37	15,000	193	13,400	226	14,260	234	
2	13,500	41	13,500	215	12,060	251	12,830	260	
3	12,270	45	12,270	236	10,690	276	11,670	286	
4	11,250	49	11,250	258	10,050	301	10,690	312	
5	10,380	53	10,380	279	9,270	326	9,870	338	
6	9,640	57	9,640	301	8,610	352	9,170	364	
7	9,000	61	9,000	323	8,040	377	8,560	390	
WIRE ROPE DIA		3/4 in.				3/4 in.			
1	15,000	38	15,000	196	13,400	229	14,260	237	
2	13,250	42	13,250	221	11,840	258	12,600	268	
3	11,870	47	11,870	247	10,600	289	11,280	299	
4	10,750	52	10,750	273	9,600	319	10,220	330	
5	9,820	57	9,820	299	8,770	349	9,330	362	
6	9,040	62	9,040	325	8,070	379	8,590	393	

* Layer does not meet ANSI B30.7

PD15B PLANETARY HOIST

15,000 lb (6,818 kg)



Performance (cont.)

-04 DRUM
Single-speed
Motor

RATIO		41:1				34:1				
MOTOR	080 (83.6 cc)	064 (64.2 cc)		051 (48.2 cc)		064 (83.6 cc)				
PRESSURE	118 bar		166 bar		207 bar		131 bar			
FLOW	283.9 lpm		246 lpm		189.3 lpm		303 lpm			
WIRE ROPE DIA		13 mm				13 mm				
LAYER	LINE PULL (kg)	LINE SPEED (mpm)	LINE PULL (kg)	LINE SPEED (mpm)	LINE PULL (kg)	LINE SPEED (mpm)	LINE PULL (kg)	LINE SPEED (mpm)		
1	6,820	11	6,820	59	6,090	68	6,480	71		
2	6,255	12	6,255	63	5,585	74	5,945	77		
3	5,775	13	5,780	69	5,165	80	5,490	83		
4	5,370	14	5,375	74	4,795	87	5,105	90		
5	5,015	15	5,015	79	4,475	93	4,770	96		
6	4,705	16	4,705	84	4,200	99	4,475	102		
7	4,425	17	4,425	90	3,955	105	4,210	109		
8	4,180	18	4,185	95	3,735	111	3,975	115		
9*	3,965	19	3,970	100	3,540	117	3,770	121		
WIRE ROPE DIA		14 mm				14 mm				
1	6,820	11	6,820	59	6,090	69	6,480	71		
2	6,195	12	6,195	65	5,535	75	5,890	78		
3	5,675	13	5,675	70	5,075	82	5,395	85		
4	5,235	15	5,235	76	4,675	89	4,980	92		
5	4,865	16	4,865	82	4,345	96	4,625	99		
6	4,535	17	4,535	88	4,055	103	4,315	107		
7	4,250	18	4,250	94	3,800	110	4,040	114		
8*	4,000	19	4,000	100	3,575	117	3,805	121		
WIRE ROPE DIA		16 mm				16 mm				
1	6,820	11	6,820	59	6,090	69	6,480	71		
2	6,135	12	6,135	66	5,480	77	5,830	79		
3	5,580	14	5,580	72	4,980	84	5,305	87		
4	5,115	15	5,115	79	4,570	92	4,860	95		
5	4,720	16	4,720	85	4,220	99	4,485	103		
6	4,380	17	4,380	92	3,915	107	4,170	111		
7	4,090	19	4,090	98	3,655	115	3,890	119		
WIRE ROPE DIA		19 mm				19 mm				
1	6,820	12	6,820	60	6,090	70	6,480	72		
2	6,020	13	6,025	67	5,380	79	5,725	82		
3	5,395	14	5,395	75	4,820	88	5,125	91		
4	4,885	16	4,885	83	4,365	97	4,645	101		
5	4,465	17	4,465	91	3,985	106	4,240	110		
6	4,110	19	4,110	99	3,670	116	3,905	120		

* Layer does not meet ANSI B30.7

Performance (cont.)

-05 DRUM
Single-speed
Motor

RATIO		41:1				34:1			
MOTOR	080 (8.0 cu in.)	064 (6.38 cu in.)		051 (5.1 cu in.)		064 (6.38 cu in.)			
PRESSURE	2,465 psi	2,605 psi		3,000 psi		3,000 psi			
FLOW	20 gpm	80 gpm		75 gpm		80 gpm			
WIRE ROPE DIA		1/2 in.				1/2 in.			
LAYER	LINE PULL (lb)	LINE SPEED (fpm)	LINE PULL (lb)	LINE SPEED (fpm)	LINE PULL (lb)	LINE SPEED (fpm)	LINE PULL (lb)	LINE SPEED (fpm)	
1	15,000	37	15,000	192	13,400	224	14,270	232	
2	13,760	39	13,760	208	12,290	243	13,090	252	
3	12,710	43	12,710	226	11,360	264	12,100	273	
4	11,810	46	11,810	243	10,550	284	11,240	294	
5	11,030	49	11,030	260	9,850	304	10,500	315	
WIRE ROPE DIA		9/16 in.				9/16 in.			
1	15,000	37	15,000	193	13,400	225	14,270	233	
2	13,630	40	13,630	212	12,180	247	12,960	256	
3	12,490	44	12,490	231	11,160	270	11,870	280	
4	11,520	48	11,520	250	10,290	292	10,960	303	
5*	10,700	51	10,700	270	9,560	315	10,170	326	
WIRE ROPE DIA		5/8 in.				5/8 in.			
1	15,000	37	15,000	193	13,400	226	14,270	234	
2	13,500	41	13,500	215	12,060	251	12,840	260	
3	12,270	45	12,270	236	10,690	276	11,670	286	
4	11,250	49	11,250	258	10,050	301	10,700	312	
WIRE ROPE DIA		3/4 in.				3/4 in.			
1	15,000	38	15,000	196	13,400	229	14,270	237	
2	13,250	42	13,250	221	11,840	258	12,610	268	
3	11,870	47	11,870	247	10,600	289	11,290	299	

* Layer does not meet ANSI B30.7



Authorized Distributor:
Pacific Marine & Industrial
www.pacificmarine.net
info@pacificmarine.net

PD15B PLANETARY HOIST

15,000 lb (6,818 kg)

BRADEN®

Performance (cont.)

-05 DRUM
Single-speed
Motor

RATIO		41:1				34:1			
MOTOR	080 (83.6 cc)	064 (64.2 cc)		051 (48.2 cc)		064 (83.6 cc)			
PRESSURE	118 bar	166 bar		207 bar		131 bar			
FLOW	283.9 lpm	246 lpm		189.3 lpm		303 lpm			
WIRE ROPE DIA		13 mm				13 mm			
LAYER	LINE PULL (kg)	LINE SPEED (mpm)	LINE PULL (kg)	LINE SPEED (mpm)	LINE PULL (kg)	LINE SPEED (mpm)	LINE PULL (kg)	LINE SPEED (mpm)	
1	6,805	11	6,805	59	6,080	69	6,475	71	
2	6,240	12	6,240	63	5,525	75	5,940	77	
3	5,765	13	5,765	69	5,060	82	5,490	83	
4	5,360	14	5,360	74	4,665	89	5,100	90	
5	5,005	15	5,005	79	4,340	96	4,765	96	
WIRE ROPE DIA		14 mm				14 mm			
1	6,805	11	6,805	59	6,080	69	6,475	71	
2	6,180	12	6,180	65	5,525	75	5,880	78	
3	5,665	13	5,665	70	5,060	82	5,390	85	
4	5,230	14	5,225	76	4,665	89	4,970	92	
5*	4,860	16	4,855	82	4,340	96	4,615	99	
WIRE ROPE DIA		16 mm				16 mm			
1	6,805	11	6,808	59	6,078	69	6,475	71	
2	6,125	12	6,125	66	5,470	77	5,825	79	
3	5,565	14	5,565	72	4,970	84	5,295	87	
4	5,105	15	5,105	79	4,560	92	4,855	95	
WIRE ROPE DIA		19 mm				19 mm			
1	6,805	12	6,805	60	6,080	70	6,475	72	
2	6,010	13	6,010	67	5,370	79	5,720	82	
3	5,385	14	5,385	75	4,810	88	5,120	91	

* Layer does not meet ANSI B30.7



Authorized Distributor:
Pacific Marine & Industrial
www.pacificmarine.net
info@pacificmarine.net

Performance (cont.)

-04 DRUM
Two-speed
Motor

RATIO		41:1				34:1			
MOTOR	064 (6.38 cu in.)	032 (3.18 cu in.)		049 (4.88 cu in.)		031 (3.1 cu in.)			
PRESSURE	2,890 psi				4,100 psi				
FLOW	40 gpm				50 gpm				
WIRE ROPE DIA	1/2 in.				1/2 in.				
LAYER	LINE PULL (lb)	LINE SPEED (fpm)	LINE PULL (lb)	LINE SPEED (fpm)	LINE PULL (lb)	LINE SPEED (fpm)	LINE PULL (lb)	LINE SPEED (fpm)	
1	15,000	79	7,000	179	15,000	192	8,090	302	
2	13,760	86	6,420	195	13,760	209	7,420	329	
3	12,710	93	5,930	211	12,710	226	6,890	356	
4	11,810	100	5,510	227	11,810	243	6,370	383	
5	11,030	107	5,150	243	11,030	261	5,950	410	
6	10,350	114	4,830	260	10,350	278	5,580	438	
7	9,740	121	4,550	276	9,740	295	5,250	465	
8	9,210	129	4,300	292	9,210	312	4,960	492	
9*	8,720	136	4,070	308	8,720	330	4,710	519	
WIRE ROPE DIA	9/16 in.				9/16 in.				
1	15,000	80	7,000	180	15,000	193	8,090	304	
2	13,630	87	6,360	198	13,630	212	7,350	334	
3	12,490	95	5,830	216	12,490	231	6,740	365	
4	11,520	103	5,380	234	11,520	251	6,210	395	
5	10,700	111	4,990	253	10,690	270	5,770	426	
6	9,980	119	4,660	271	9,980	290	5,380	456	
7	9,350	127	4,370	289	9,350	309	5,040	487	
8*	8,800	135	4,110	307	8,800	328	4,750	517	
WIRE ROPE DIA	5/8 in.				5/8 in.				
1	15,000	80	7000	181	15,000	194	8,090	306	
2	13,500	89	6300	201	13,500	215	7,280	339	
3	12,270	97	5730	221	12,270	237	6,620	373	
4	11,250	106	5250	241	11,250	258	6,070	407	
5	10,380	115	4850	262	10,380	280	5,600	441	
6	9,640	124	4500	282	9,640	302	5,200	475	
7	9,000	133	4200	302	9,000	323	4,850	509	
WIRE ROPE DIA	3/4 in.				3/4 in.				
1	15,000	81	7,000	183	15,000	196	8,090	94	
2	13,250	91	6,180	207	13,250	222	7,150	106	
3	11,870	102	5,540	231	11,870	248	6,400	119	
4	10,750	113	5,020	256	10,750	273	5,800	131	
5	9,820	123	4,580	280	9,820	299	5,300	144	
6	9,040	134	4,220	304	9,040	325	4,870	156	

* Layer does not meet ANSI B30.7

PD15B PLANETARY HOIST

15,000 lb (6,818 kg)



Performance (cont.)

-04 DRUM
Two-speed
Motor (cont.)

RATIO		41:1				34:1			
MOTOR	064 (104.5 cc)	032 (52.1 cc)			049 (80 cc)	031 (50.8 cc)			
PRESSURE	199 bar				286 bar				
FLOW	151.4 lpm				189 lpm				
WIRE ROPE DIA		13 mm				13 mm			
LAYER	LINE PULL (kg)	LINE SPEED (mpm)	LINE PULL (kg)	LINE SPEED (mpm)	LINE PULL (kg)	LINE SPEED (mpm)	LINE PULL (kg)	LINE SPEED (mpm)	
1	6,805	24	3,175	55	6,820	59	3,670	92	
2	6,240	26	2,915	59	6,255	64	3,365	100	
3	5,765	28	2,690	64	5,780	69	3,115	109	
4	5,360	30	2,500	69	5,370	74	2,890	117	
5	5,005	33	2,340	74	5,015	80	2,700	125	
6	4,695	35	2,190	79	4,705	85	2,530	133	
7	4,420	37	2,065	84	4,425	90	2,380	142	
8	4,180	39	1,950	89	4,180	95	2,250	150	
9*	3,955	41	1,850	94	3,965	101	2,135	158	
WIRE ROPE DIA		14 mm				14 mm			
1	6,820	24	3,175	55	6,820	59	3,670	93	
2	6,195	27	2,885	60	6,195	65	3,335	102	
3	5,680	29	2,645	66	5,680	70	3,060	111	
4	5,235	31	2,440	71	5,235	77	2,820	120	
5	4,865	34	2,265	77	4,860	82	2,620	130	
6	4,535	36	2,115	83	4,535	88	2,440	139	
7	4,250	39	1,980	88	4,250	94	2,290	148	
8*	4,000	41	1,875	94	4,000	100	2,155	158	
WIRE ROPE DIA		16 mm				16 mm			
1	6,820	24	3,175	55	6,820	59	3,670	93	
2	6,135	27	2,860	61	6,135	66	3,300	103	
3	5,580	30	2,600	67	5,580	72	3,005	114	
4	5,115	32	2,380	73	5,115	79	2,755	124	
5	4,720	35	2,200	80	4,720	85	2,540	134	
6	4,380	38	2,040	86	4,380	92	2,360	145	
7	4,090	41	1,905	92	4,090	98	2,200	155	
WIRE ROPE DIA		19 mm				19 mm			
1	6,820	25	3,175	56	6,820	60	3,670	94	
2	6,025	28	2,803	63	6,025	68	3,245	106	
3	2,395	31	2,515	70	5,395	76	2,905	119	
4	4,885	34	2,275	78	4,885	83	2,630	131	
5	4,465	37	2,080	85	4,465	91	2,405	144	
6	4,110	41	1,915	93	4,110	99	2,210	156	

* Layer does not meet ANSI B30.7

Performance (cont.)

**-05 DRUM
Two-speed
Motor**

RATIO		41:1	
MOTOR	064 (6.38 cu in.)	032 (3.18 cu in.)	
PRESSURE		2,890 psi	
FLOW		40 gpm	

WIRE ROPE DIA		1/2 in.		
LAYER	LINE PULL (lb)	LINE SPEED (fpm)	LINE PULL (lb)	LINE SPEED (fpm)
1	15,000	79	7,000	179
2	13,760	86	6,420	195
3	12,710	93	5,930	211
4	11,810	100	5,510	227
5	11,030	107	5,150	243

WIRE ROPE DIA		9/16 in.		
LAYER	LINE PULL (lb)	LINE SPEED (fpm)	LINE PULL (lb)	LINE SPEED (fpm)
1	15,000	80	7,000	180
2	13,630	87	6,360	198
3	12,490	95	5,830	216
4	11,520	103	5,380	234
5	10,700	111	4,990	253

WIRE ROPE DIA		5/8 in.		
LAYER	LINE PULL (lb)	LINE SPEED (fpm)	LINE PULL (lb)	LINE SPEED (fpm)
1	15,000	80	7,000	181
2	13,500	89	6,300	201
3	12,270	97	5,730	221
4	11,250	106	5,250	241

WIRE ROPE DIA		3/4 in.		
LAYER	LINE PULL (lb)	LINE SPEED (fpm)	LINE PULL (lb)	LINE SPEED (fpm)
1	15,000	81	7,000	183
2	13,250	91	6,180	207
3	11,870	102	5,540	231

* Layer does not meet ANSI B30.7

RATIO		41:1	
MOTOR	064 (104.5 cc)	032 (52.1 cc)	
PRESSURE		199 bar	
FLOW		151.4 lpm	

WIRE ROPE DIA		13 mm		
LAYER	LINE PULL (kg)	LINE SPEED (mpm)	LINE PULL (kg)	LINE SPEED (mpm)
1	6,805	24	3,175	55
2	6,240	26	2,910	59
3	5,765	28	2,690	64
4	5,360	30	2,500	69
5	5,005	33	2,340	74

WIRE ROPE DIA		14 mm		
LAYER	LINE PULL (kg)	LINE SPEED (mpm)	LINE PULL (kg)	LINE SPEED (mpm)
1	6,805	24	3,175	55
2	6,180	27	2,885	60
3	5,665	29	2,650	66
4	5,225	31	2,445	71
5	4,855	34	2,265	77

WIRE ROPE DIA		16 mm		
LAYER	LINE PULL (kg)	LINE SPEED (mpm)	LINE PULL (kg)	LINE SPEED (mpm)
1	6,805	24	3,175	55
2	6,125	27	2,860	61
3	5,570	30	2,600	67
4	5,105	32	2,380	73

WIRE ROPE DIA		19 mm		
LAYER	LINE PULL (kg)	LINE SPEED (mpm)	LINE PULL (kg)	LINE SPEED (mpm)
1	6,805	25	3,175	56
2	6,010	28	2,805	63
3	5,384	31	2,515	70

* Layer does not meet ANSI B30.7

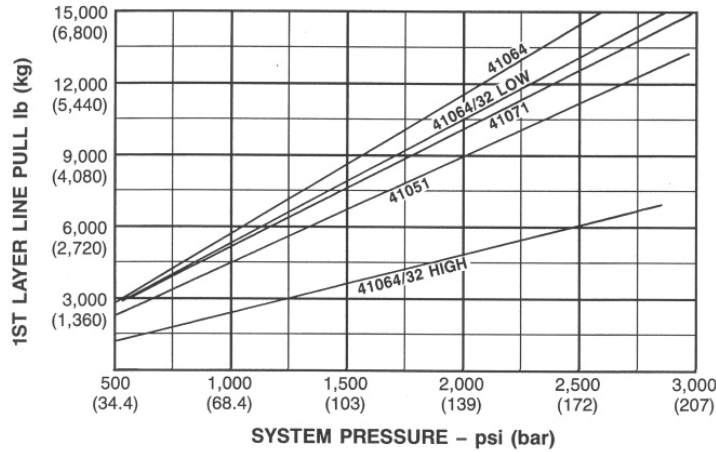


Authorized Distributor:
Pacific Marine & Industrial
www.pacificmarine.net
info@pacificmarine.net

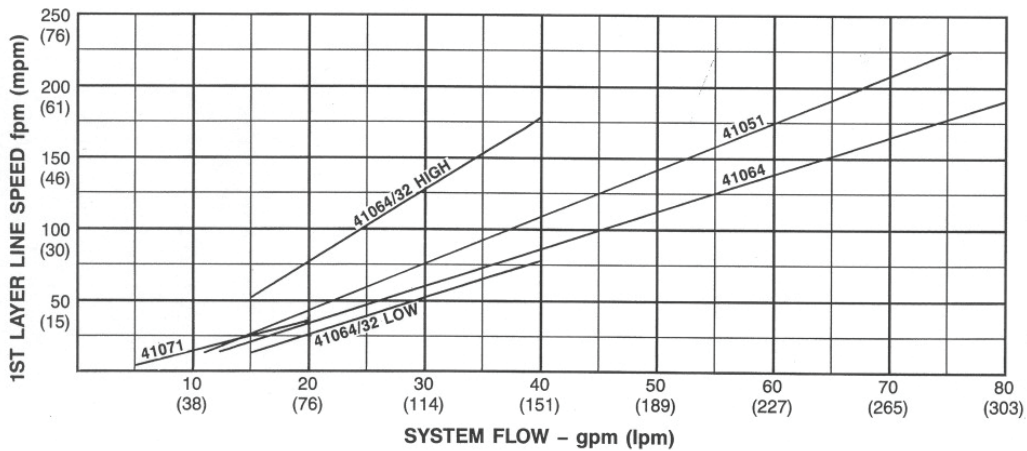
Performance Graphs

04 & 05 DRUM

LINE PULL VS PRESSURE



LINE SPEED VS FLOW



MINIMUM GPM RECOMMENDATION FOR SMOOTH OPERATION

MOTOR 051	11 gpm (42 l/min)	MOTOR 064/32	15 gpm (57 l/min)
MOTOR 064	12 gpm (45 l/min)	MOTOR 071	5 gpm (19 l/min)

(RECOMMENDED MINIMUM SYSTEM FLOW SHOULD BE 2 TIMES THESE VALUES)

Drum Capacity

-04 DRUM

WIRE ROPE STORAGE, ft

	LAYER	1	2	3	4	5	6	7	8	9	D/d
	1/2 in.	79	165	258	358	465	579	700	828	963*	22:1
WIRE ROPE DIA	9/16 in.	70	147	231	322	421	527	640	760*	-	19:1
	5/8 in.	64	135	213	298	390	489	595	-	-	17:1

* Layer does not meet ANSI B30.7

WIRE ROPE STORAGE, m

	LAYER	1	2	3	4	5	6	7	8	9	D/d
	13 mm	24	50	79	109	142	176	213	252	294*	22:1
WIRE ROPE DIA	14 mm	21	45	70	98	128	161	195	232*	-	19:1
	16 mm	20	41	65	91	119	149	181	-	-	17:1

* Layer does not meet ANSI B30.7

-05 DRUM

WIRE ROPE STORAGE, ft

	LAYER	1	2	3	4	5	D/d
	1/2 in.	79	165	258	358	465	22:1
WIRE ROPE DIA	9/16 in.	70	147	231	322	421*	19:1
	5/8 in.	64	135	213	298	-	17:1

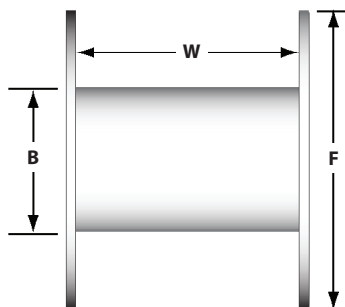
* Layer does not meet ANSI B30.7

WIRE ROPE STORAGE, m

	LAYER	1	2	3	4	5	D/d
	13 mm	24	50	79	109	142	22:1
WIRE ROPE DIA	14 mm	21	45	70	98	128*	19:1
	16 mm	20	41	65	91	-	17:1

* Layer does not meet ANSI B30.7

Drum Sizes



DRUM	DIMENSIONS, in.		DRUM	DIMENSIONS, mm	
	04	05		04	05
B	10.63	10.63	B	270	270
F	20.00	16.50	F	508	419
W	13.50	13.50	W	343	343
W	343	343			

B=BARREL DIAMETER F=FLANGE DIAMETER W = BARREL WIDTH

** ROOT DIAMETER FOR GROOVED DRUM

PD15B PLANETARY HOIST

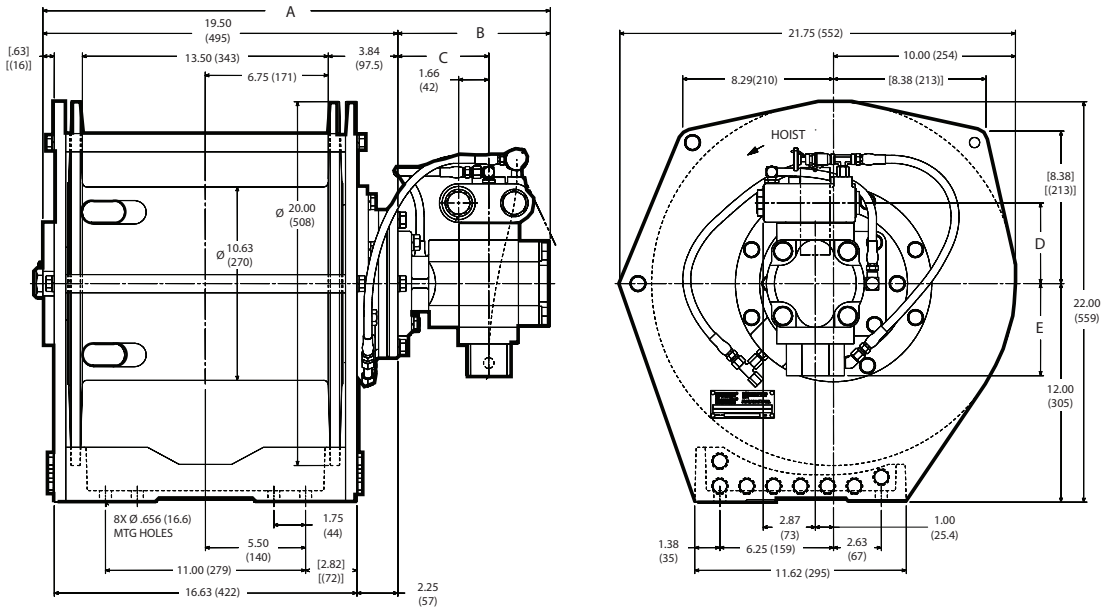
15,000 lb (6,818 kg)



Dimensions

PD15B-41064-04-1/PD15B-41051-05-1
Single-speed Gear Motor

DIMENSIONS IN INCHES (MM)



MOTOR DISP. cu in. (cc)	DRUM SIZE	A	B	C	D	E
6.4 (104.5)	- 04	27.88 (708)	8.38 (213)	5.00 (127)	4.44 (113)	5.06 (129)
5.1 (83.6)	- 05	27.38 (695)	7.88 (200)	4.75 (120)	3.79 (96)	4.41 (112)

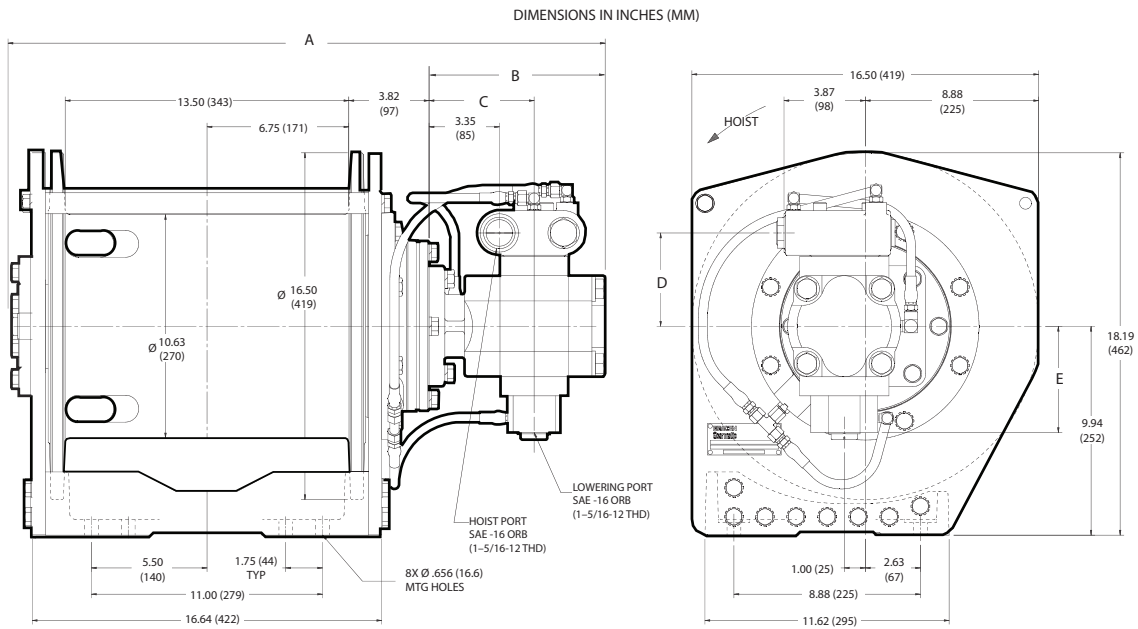
CONTACT BRADEN REPRESENTATIVE FOR PISTON-MOTOR MODEL DIMENSIONS



Authorized Distributor:
Pacific Marine & Industrial
www.pacificmarine.net
info@pacificmarine.net

Dimensions (cont.)

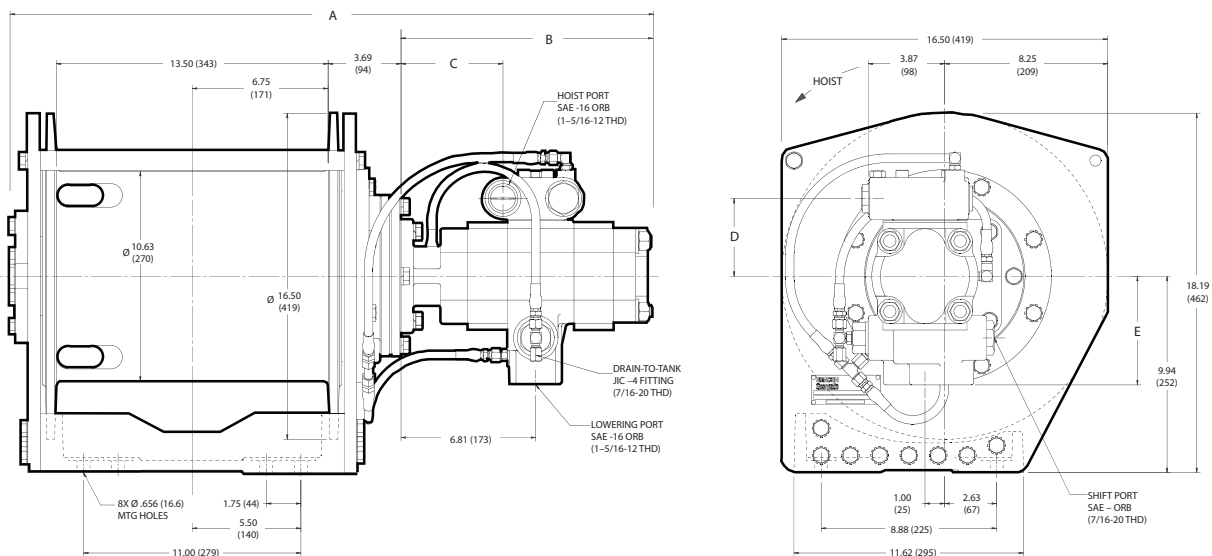
PD15B-41064-05 Single-speed Gear Motor



MOTOR, cu-in. (cc)	DRUM SIZE	A	B	C	D	E
6.4 (104.5)	-05	28.41 (721)	8.38 (213)	5.00 (127)	4.44 (113)	5.06 (129)
5.1 (83.6)	-05	28.32 (719)	7.88 (213)	4.75 (120)	3.78 (96)	4.41 (112)
6.4/3.2 (104.5/52)	-05	32.57 (827)	12.50 (317)	5.15 (131)	3.93 (100)	5.50 (140)

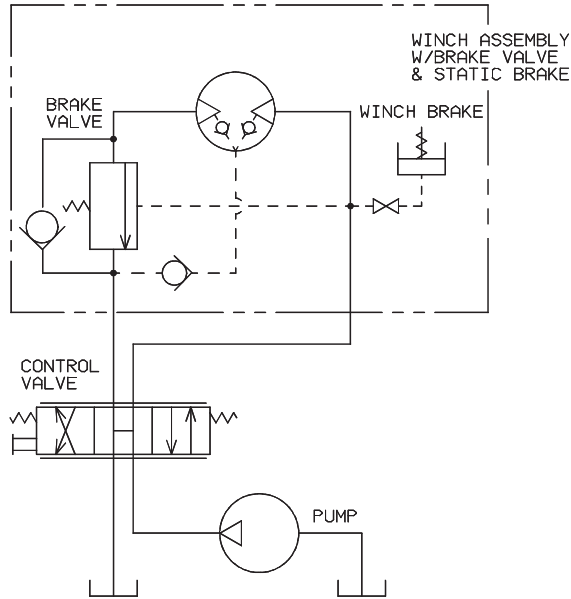
PD15B-41064/032-05 Two-speed Gear Motor

DIMENSIONS IN INCHES (MM)

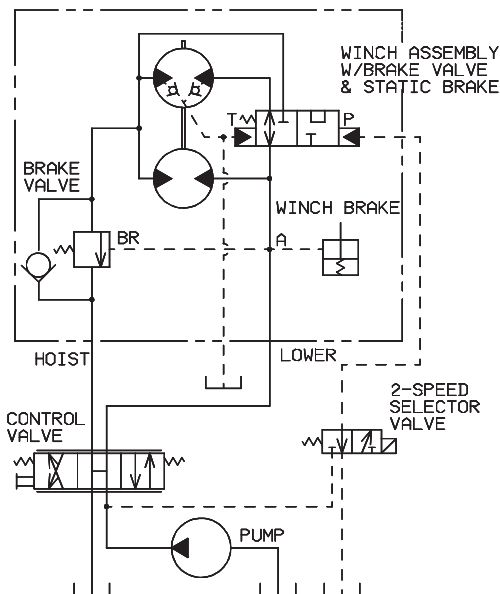


Typical Hydraulic Control Circuits

Single-speed Circuit

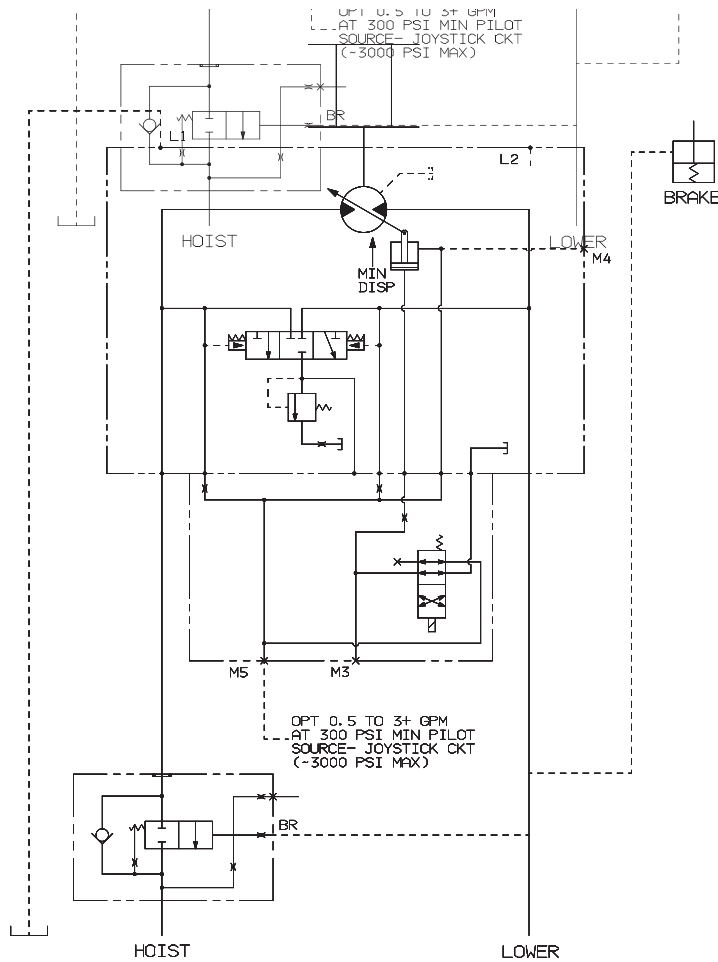


Two-speed gear Motor Circuit



Typical Hydraulic Control Circuits (cont.)

Variable-speed Piston Motor Circuit



Authorized Distributor:
Pacific Marine & Industrial
www.pacificmarine.net
info@pacificmarine.net

BRADEN®

A **PACCAR** COMPANY



Authorized Distributor:
Pacific Marine & Industrial
www.pacificmarine.net
info@pacificmarine.net

www.paccarwinch.com